



285

(Parts Manual)

**Sweeper/
Scrubber**



This manual is furnished with each new TENNANT® Model 285. It provides necessary operating and preventive maintenance instructions. Read this manual completely and understand the machine before operating or servicing it.

This manual covers all machine variations and standard accessories. The instruction portion of the manual consists of the Specification, Operation, Maintenance, and Appendix sections. The parts portion consists of the Low Dump Model Parts; Diesel Parts; Multi-Level Dump Model Parts; Accessories; Hydraulic Components; Engine Parts, Gasoline, LPG; and Engine Parts, Diesel; Cross Reference; and Customer Documents sections.

All right side and left side references to the machine are determined by facing the direction of forward travel. All hardware considered to be of a common nature or locally available has been omitted from the parts sections. Be aware that this machine may contain metric hardware. Make sure you use equivalent hardware when replacement becomes necessary.

This machine will provide excellent service. However, the best results will be obtained at minimum costs if:

- The machine is operated with reasonable care.
- The machine is maintained regularly – per the maintenance instructions provided.
- The machine is maintained with Tennant Company supplied or equivalent parts.

Parts and supplies may be ordered by phone or mail from any Tennant Company parts and service center, distributor, or from any of the Tennant Company subsidiaries. Before ordering parts or supplies, be sure to have your machine model number and serial number handy. Fill out the data block below for future reference. The telephone numbers, telex numbers, mailing addresses, and locations of those outlets are listed in the Customer Documents section of the manual.

MACHINE DATA	
<i>Please fill out at time of installation.</i>	
Machine Serial Number –	_____
Engine Serial Number –	_____
Sales Representative –	_____
Customer Number –	_____
Date of Installation –	_____
Manual Number –	MM191
Revision:	06
Published:	6–90

04633

Trademark Registered in: Austria, Benelux, Denmark, England, France, Germany, Italy, Spain, Switzerland, United States, Argentina, Australia, Canada, Japan, Mexico, Sweden, by TENNANT COMPANY, Minneapolis, Minnesota, U.S.A.

Acknowledgements: Technical information and/or illustrations supplied by Ford Motor Company; Cessna Fluid Power Division; Eaton Corporation, Hydraulics Division.

Copyright 1987, 1988, 1989, 1990 Tennant Company, Printed in U.S.A.

SECTION 5

CONTENTS

	Page		Page
ORDERING REPAIR PARTS	5-3	Fig. 41 – Directional Control Group, Distributorless (DIS)	5-66
Fig. 1 – Recommended General Maintenance Items	5-4	Fig. 42 – Flywheel Housing Group	5-68
Fig. 2 – Replacement Brushes	5-6	Fig. 43 – Flywheel Housing Group, Distributorless (DIS)	5-70
Fig. 3 – Main Frame Group	5-8	Fig. 44 – Throttle Linkage Group	5-71
Fig. 4 – Seat and Radiator Group	5-10	Fig. 45 – Muffler Group	5-72
Fig. 5 – Seat Group, Distributorless (DIS) ...	5-12	Fig. 46 – Muffler Group, Distributorless (DIS) .	5-73
Fig. 6 – Radiator Group, Distributorless (DIS)	5-14	Fig. 47 – Fuel Tank Group	5-74
Fig. 7 – Engine Cover and Side Door Group .	5-16	Fig. 48 – Labels Group	5-75
Fig. 8 – Hopper Group	5-18	Fig. 49 – Headlight, Taillight, and Spotlight Group	5-76
Fig. 9 – Hopper Cover and Filter Group	5-20	Fig. 50 – Pressure Switch Group	5-77
Fig. 10 – Hopper Lift Arms Group	5-22	Fig. 51 – Overhead Guard Group	5-78
Fig. 11 – Side Brush Group	5-24		
Fig. 12 – Front Wheel and Brakes Group	5-26		
Fig. 13 – Steering Control Group	5-28		
Fig. 14 – Rear Wheel Drive Group	5-30		
Fig. 15 – Main Brush Drive Group	5-32		
Fig. 16 – Main Brush Lift Group	5-33		
Fig. 17 – Access and Kick Panels Group	5-34		
Fig. 18 – Vacuum Fan Group	5-35		
Fig. 19 – Instrument and Control Panels Group	5-36		
Fig. 20 – Battery Group	5-37		
Fig. 21 – Wire Harnesses Group	5-38		
Fig. 22 – Hydraulic Hoses Group	5-40		
Fig. 23 – Hydraulic Pumps Group	5-42		
Fig. 24 – Hydraulic Reservoir Group	5-43		
Fig. 25 – Hydraulic Control Valve Group	5-44		
Fig. 26 – Hydraulic Solenoid Valve Group	5-45		
Fig. 27 – Hydraulic Filter Group	5-46		
Fig. 28 – Hydraulic Couplings Group	5-47		
Fig. 29 – Engine Group	5-48		
Fig. 30 – Engine Group, Distributorless (DIS) .	5-50		
Fig. 31 – Carburetor Group, Distributorless (DIS)	5-52		
Fig. 32 – Fuel Tank Bumper Group, LPG	5-54		
Fig. 33 – Fuel Tank Bumper Group, Distributorless (DIS) LPG	5-56		
Fig. 34 – Sheaves and Belts Group	5-58		
Fig. 35 – Carburetor Group, LPG	5-59		
Fig. 36 – Carburetor Group, Distributorless (DIS) LPG	5-60		
Fig. 37 – Engine Fan and Alternator Group, Distributorless (DIS)	5-62		
Fig. 38 – Air Cleaner Group	5-63		
Fig. 39 – Air Cleaner Group, Distributorless (DIS)	5-64		
Fig. 40 – Directional Control Group	5-65		

NOTE: SECTION 5, STANDARD MODEL PARTS, lists repair parts for a standard model, gasoline powered machine. This section also contains parts common to all models of the machine.

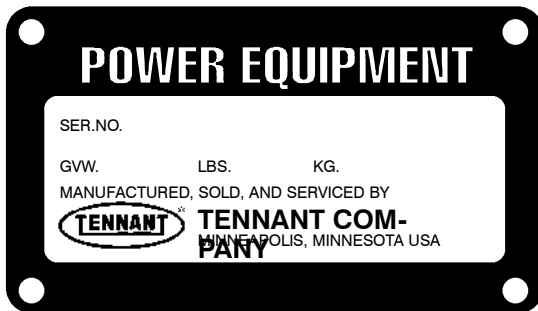
ORDERING REPAIR PARTS

The components used in this machine have been carefully selected for performance and safety. Use only Tennant Company specified or equivalent parts.

To receive prompt service in filling of your parts orders, please direct all orders for parts with Tennant Company part numbers to the Tennant Company, and all orders for parts with vendor part numbers to the local supplier of the respective vendor.

When ordering parts, please furnish all of the following information:

1. Machine model number - shown on the machine data plate.



2. Machine serial number - shown on the machine data plate.
3. Power source - gasoline, LPG, diesel, electric.
4. Company name.
5. Shipping address.
6. Billing address.
7. Name, first and last - of person ordering parts.
8. Telephone number.
9. Purchase order number.
10. Part number, description, and quantity - of each item on the order.

Do not order parts by key number or the figure number of the illustrated parts. Indented items indicate parts of assemblies. Standard hardware is furnished only when part of a purchased assembly. Please get hardware from a local hardware supplier.

If the old part cannot be identified, send it to us with the quantity needed specified on the order.

Any claim for loss or damage to a shipment in transit should be filed promptly against the transportation company making the delivery. Shipments will be complete unless the packing list or order acknowledgement indicate items back ordered.

If parts received are suspected to be incorrect or defective, please write, wire, or phone the Tennant Company representative from whom you ordered the part. They will give authorization for return and/or handle replacement shipments when required.

SERIAL NUMBER INFORMATION EXPLANATION

Serial number listings are shown to indicate on which machines each part can be used. These listings are explained by the following examples:

(000000—) The part can be used on all machines.

(003342—) The part can be used on all machines beginning with the serial number listed.

(000000—004320) The part can be used on all machines up to and including serial number listed.

(004321—005678) The part can be used on all machines between and including the serial numbers listed.

Where xxxxxx's are listed in place of a serial number, it indicates a change was made but the exact serial number had not been established when the catalog went to press.

SI UNITS OF MEASURE (INTERNATIONAL SYSTEM)

Metric equivalents have been included, where applicable, throughout this parts catalog.

FASTENER STRENGTH IDENTIFICATION

Fasteners required to have high—strength qualities equivalent to SAE Grade 8 are identified throughout this catalog by the description GR 8. Unless identified by this description, all standard fasteners are SAE Grade 5.

(Specifications and design subject to change without notice.)

LOW DUMP MODEL PARTS

04695

Fig. 1 – Recommended General Maintenance Items

Key	TENNANT Part No.	Machine Serial Number	Description	Qty.
	07684	(010001–010749)	Maintenance Kit, 400 Hours, Gasoline	1
	07764	(010001–010749)	Spark Plug	4
	82525	(010001–010749)	Filter, Fuel	1
	82697	(010001–010749)	Rotor, Overspeed Protection	1
	58507	(010001–010749)	Cap, Distributor	1
	07705	(010001–010749)	Cover, Gasket	1
	38245	(010001–010749)	Valve, PCV	1
	58120	(010001–010749)	Element, Air Filter	1
	07328	(010001–010749)	Filter, Distributor Cap	1
	58122	(010001–010749)	Filter, Oil	8
	32397–1	(010001–010749)	Hydraulic Oil, HP1040, 1 Gal	6
	55740	(010001–010749)	Element, Filter	1
	07685	(010001–010749)	Maintenance Kit, 400 Hours, LPG	1
	SK1444	(010001–010749)	Repair Kit, Fuel Filter Lock	1
	07764	(010001–010749)	Spark Plug	4
	82697	(010001–010749)	Rotor, Overspeed Protection	1
	58507	(010001–010749)	Cap, Distributor	1
	07705	(010001–010749)	Cover, Gasket	1
	38245	(010001–010749)	Valve, PCV	1
	58120	(010001–010749)	Filter Element, Air	1
	58122	(010001–010749)	Filter, Oil	8
	32397–1	(010001–010749)	Hydraulic Oil, HP1040, 1 Gal	6
	55740	(010001–010749)	Element, Filter	1
	07328	(010001–010749)	Filter, Distributor Cap	1
	31745	(010750–)	Performance Package 400 Hour, Gasoline	1
	39046	(010750–)	Spark Plug	4
	07705	(010750–)	Gasket	1
	58120	(010750–)	Element, Air Filter	1
	19205	(010750–)	Element, Engine Oil	8
	82525	(010750–)	Filter, Fuel	1
	32397–1	(010750–)	Hydraulic Fluid, HP1040, 1 gal	6
	55740	(010750–)	Element, Hydraulic Fluid Filter	1
	31746	(010750–)	Performance Package 400 Hour, LPG	1
	SK1444	(010750–)	Repair Kit, Fuel Filter Lock	1
	39046	(010750–)	Spark Plug	4
	07705	(010750–)	Gasket	1
	58120	(010750–)	Element, Air Filter	1
	19205	(010750–)	Element, Engine Oil	8
	32397–1	(010750–)	Hydraulic Fluid, HP1040, 1 gal	6
	55740	(010750–)	Element, Hydraulic Fluid Filter	1
	82054	(010001–)	Maintenance Kit, 400 Hours, Diesel	1
	58120	(010001–)	Element, Air Filter	1
	58121	(010001–)	Element, Air Filter	1
	82693	(010001–)	Element, Oil Filter	8
	82692	(010001–)	Element, Diesel Fuel Filter	1
	55740	(010001–)	Element, Filter	1
	32397–1	(010001–)	Hydraulic Oil, HP1040, 1 Gal	6
	04201	(010001–)	Maintenance Kit, Skirts, Low Dump	1
	23275	(010001–)	Skirt, Shroud, L.H. and R.H.	2
	45857	(010001–)	Strip, Skirt Retainer	2
	53298	(010001–)	Skirt	1
	82163	(010001–)	Angle, Mounting Skirt	1
	82164	(010001–)	Skirt	1

LOW DUMP MODEL PARTS

Key	TENNANT Part No.	Machine Serial Number	Description	Qty.
	82165	(010001-)	Strip	1
	02485	(010001-)	Nut, Speed Retainer	7
	23382	(010001-)	Seal, Side Pan	2
	23384-2	(010001-)	Strip	2
	23386	(010001-)	Seal, Top Pan	1
	50446	(010001-)	Retainer, Hopper Top Seal	1
	82799	(010001-)	Seal, Brush Wrap Dust	1
	53489	(010001-)	Strip	2
	48060	(010001-)	Lip, Rubber	5
	46080	(010001-)	Angle, Rubber Lip Backing	1
	82059	(010001-)	Maintenance Kit, Seals, Low Dump	1
	82125	(010001-)	Seal, Foam Rubber	2
	53906	(010001-)	Seal, Brush Wrap	3
	47037	(010001-)	Adhesive, 5 oz (150 ml) Tube	2
	53974	(010001-)	Seal, Foam Rubber	2
	53052	(010001-)	Seal, Foam Rubber	2
	53461-1	(010001-)	Seal, Foam Rubber	2
	53461-2	(010001-)	Seal, Foam Rubber	2
	82415	(010001-)	Seal, Hopper Cover	2
	82416	(010001-)	Seal, Hopper Cover	2
	82741	(010001-)	Label Set, Striping	1
	82466	(010001-)	Seal, Hopper Outer	1
	82424	(010001-)	Seal, Vacuum Fan Muffler	1
	04200	(010001-)	Maintenance Kit, Skirts, High Dump	1
	23275	(010001-)	Skirt, Shroud, L.H. and R.H.	2
	45857	(010001-)	Strip, Skirt Retainer	2
	53298	(010001-)	Skirt	1
	82163	(010001-)	Angle, Mounting Skirt	1
	82164	(010001-)	Skirt	1
	82165	(010001-)	Strip	1
	02485	(010001-)	Nut, Speed Retainer	7
	23382	(010001-)	Seal, Side Pan	2
	23384-2	(010001-)	Strip	2
	23386	(010001-)	Seal, Top Pan	1
	50446	(010001-)	Retainer, Hopper Top Seal	1
	82799	(010001-)	Seal, Brush Wrap Dust	1
	53489	(010001-)	Strip	2
	35607	(010001-)	Lip Assembly	5
	53758	(010001-)	Strip	1
	37021	(010001-)	Lip, Side	2
	82049	(010001-)	Maintenance Kit, Seals, High Dump	1
	82125	(010001-)	Seal, Foam Rubber	2
	53906	(010001-)	Seal, Brush Wrap	3
	47037	(010001-)	Adhesive, 5 oz (150 ml) Tube	2
	53974	(010001-)	Seal, Foam Rubber	2
	53052	(010001-)	Seal, Foam Rubber	2
	54338-6	(010001-)	Seal, Foam Rubber	2
	37054	(010001-)	Seal, Foam Rubber	2
	37055	(010001-)	Seal, Foam Rubber	2
	82415	(010001-)	Seal, Hopper Cover	2
	07640	(010001-)	Performance Package Squeegee Blades	1
	11957	(010001-)	Squeegee Back-up, Rear	1
	07051	(010001-)	Blade, Squeegee, Rear	1
	11952	(010001-)	Blade, Front, Squeegee	1
	11956	(010001-)	Squeegee Back-up, Front	1
	60013	(010001-)	Squeegee, Side	1

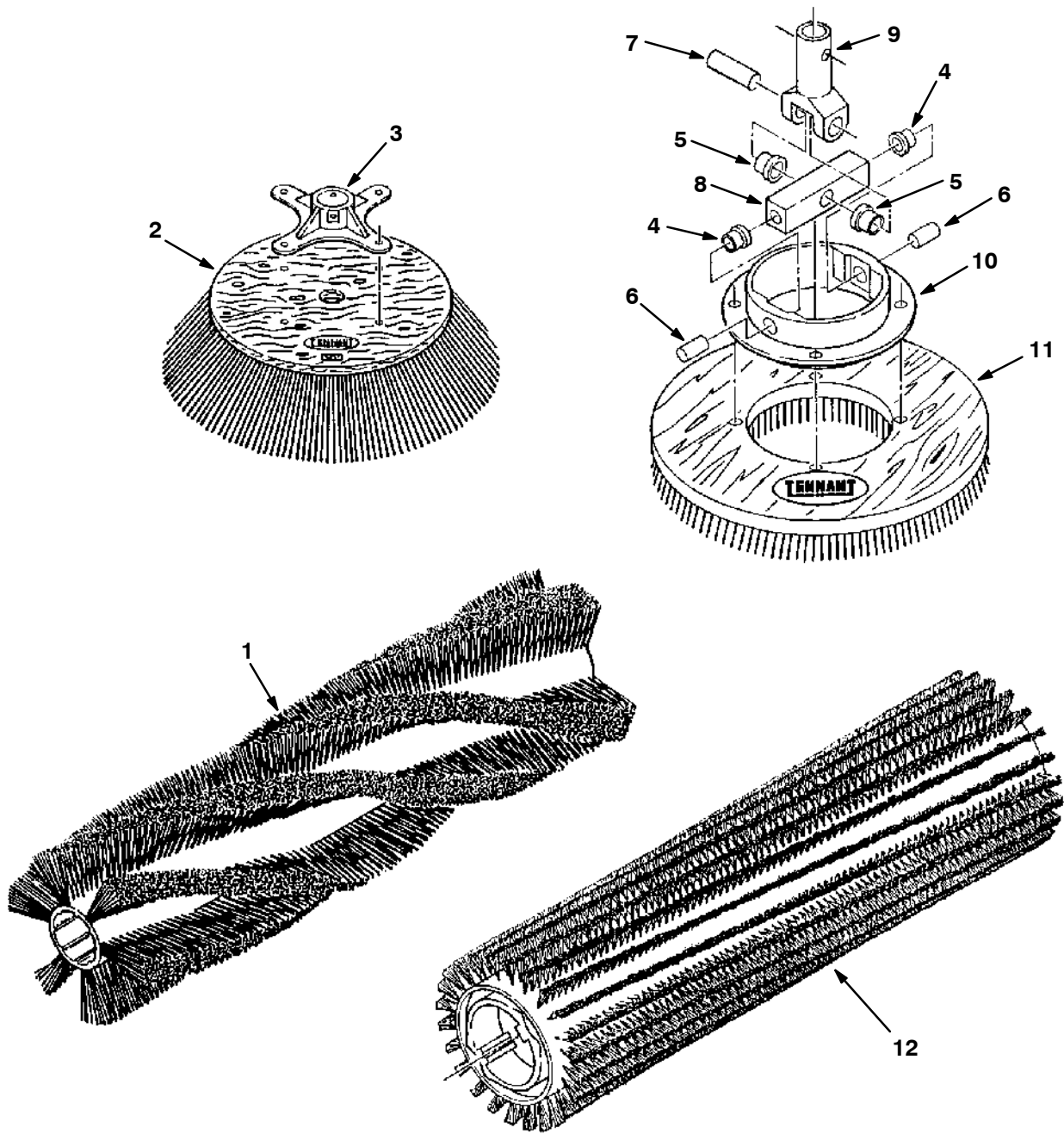


Fig. 2 – Replacement Brushes

Fig. 2 – Replacement Brushes

Key	Tennant® Part No.	Machine Serial Number	Description	Qty
1	11860	(010001 –)	Brush, Sweep, 8 Row Nylon	1
1	11861	(010001 –)	Brush, Sweep, 8 Row Polypropylene and Wire	1
1	11862	(010001 –)	Brush, Sweep, 8 Row Wire	1
1	11863	(010001 –)	Brush, Sweep, 24 Row Nylon	1
1	11864	(010001 –)	Brush, Sweep, 24 Row Fiber and Wire	1
1	24741	(010001 –)	Brush, Snow, 8 Row Polypropylene	1
1	43708P	(010001 –)	Brush Assembly, Side Sweep Polypropylene	1
2	09600P	(010001 –)	Brush, Side Sweep, Polypropylene	1
3	47501	(010001 –)	Hub, Brush Adaptor	1
3	43708N	(010001 –)	Brush Assembly, Side Sweep, Nylon	1
3	09600N	(010001 –)	Brush, Side Sweep, Nylon	1
3	47501	(010001 –)	Hub, Brush Adaptor	1
3	43708K	(010001 –)	Brush Assembly, Side Sweep, Flat Wire	1
3	10712K	(010001 –)	Brush, Side Sweep, Flat Wire	1
3	47501	(010001 –)	Hub, Brush Adaptor	1
3	08017	(010001 –)	Brush Assembly, Side Sweep, Nylon	1
3	08013N	(010001 –)	Brush, Side Sweep, Nylon	1
3	47501	(010001 –)	Hub, Brush Adaptor	1
3	02663	(010001 –)	Side Brush Drive U–Joint Assembly	1
4	29585	(010001 –)	Bushing, Flange	2
5	43484	(010001 –)	Bushing, Flange	2
6	43485	(010001 –)	Pin, Dowel	2
7	43486	(010001 –)	Pin, Dowel	1
8	43487	(010001 –)	Bar, Drive	1
9	43488	(010001 –)	Fork, Drive	1
10	43489	(010001 –)	Ring	1
11	43148	(010001 –)	Brush, Side Scrub, Polypropylene	1
11	43417	(010001 –)	Brush, Side Scrub, Stainless Steel	1
11	43593	(010001 –)	Brush, Side Scrub, Polypropylene	1
12	43393	(010001 –)	Roll, Abrasive	1
12	43424	(010001 –)	Brush, Scrub, 24 Row Polypropylene	1
12	43428	(010001 –)	Brush, Scrub, 20 Row Stainless Steel	1
12	43592	(010001 –)	Brush, Scrub, 24 Row Polypropylene	1
12	43680	(010001 –)	Brush, Scrub, 24 Row Polypropylene	1

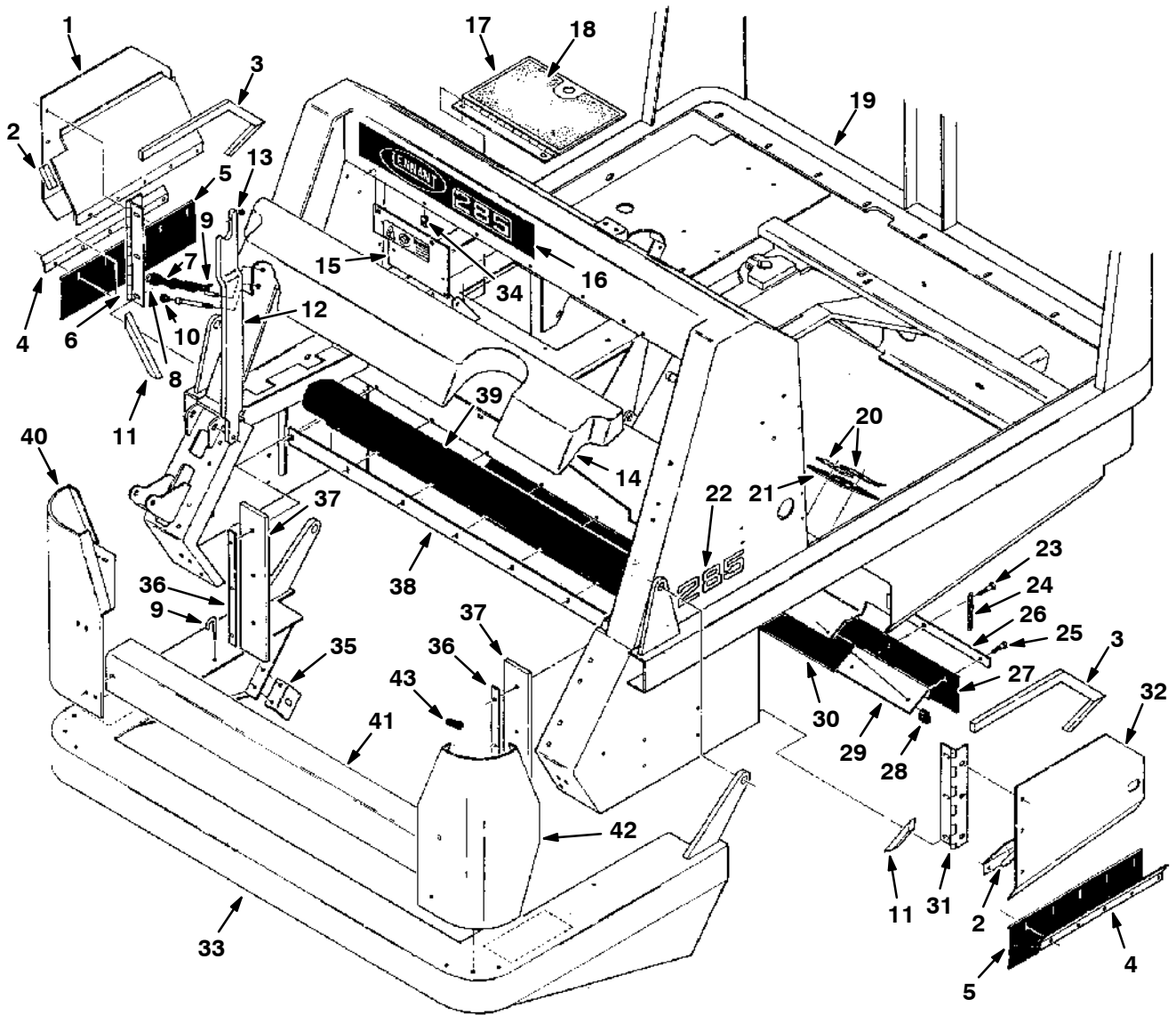


Fig. 3 – Main Frame Group

Fig. 3 – Main Frame Group

Key	TENNANT® Part No.	Machine Serial Number	Description	Qty.
1	33762	(010001 –)	Door, Brush, R.H.	1
2	82125	(010001 –)	Seal, Foam Rubber	2
3	53052	(010001 –)	Seal, Foam Rubber	2
4	45857	(010001 –)	Strip, Skirt Retainer	2
5	23275	(010001 –)	Skirt, Shroud	2
6	32885	(010001 –)	Hinge, Door, R.H.	1
7	46567	(010001 –)	Hose	1
8	46307	(010001 –)	Chain, Link	1
9	02943	(010001 –)	Bolt, J	2
10	01318	(010001 –)	Tip, Rubber	1
11	53974	(010001 –)	Seal, Foam Rubber	2
12	82190	(010001 –)	Arm, Safety	1
13	16786	(010001 –)	Bumper, Safety Arm	1
14	02998	(010001 –)	Panel, Front Filler	1
15	10873	(010001 –)	Plate, Relay Mounting	1
16	25146	(010001 –)	Label, TENNANT® Logo 285	1
17	53465-2	(010001 –)	Cover, Battery	1
18	32270	(010001 –)	Tread, Nonskid Floor	1
19	07480	(010001-010749)	Frame, Main	1
19	30343	(010750 –)	Frame, Main	1
20	53489	(010001 –)	Strip	2
21	82799	(010001 –)	Seal, Brush Wrap Dust	1
22	07030	(010001 –)	Label, Numerals	2
23	34196	(010001 –)	Screw, Hex, Nylon	1
24	09342	(010001 –)	Chain, Link	1
25	34292	(010001 –)	Screw, Hex, Nylon	6
26	82165	(010001 –)	Strip	1
27	82164	(010001 –)	Skirt	1
28	02485	(010001 –)	Nut, Speed Retainer	7
29	82163	(010001 –)	Angle, Skirt Mounting	1
30	53298	(010001 –)	Skirt	1
31	32886	(010001 –)	Hinge, Door, L.H.	1
32	33760	(010001 –)	Door, Brush, L.H.	1
33	03021	(010001 –)	Bumper, Front	1
34	82138	(010001 –)	Nut, Speed Retainer	2
35	82189	(010001 –)	Bracket, L	2
36	23384-2	(010001 –)	Strip	2
37	23382	(010001 –)	Seal, Side Pan	2
38	53143	(010001 –)	Strip	1
39	23386	(010001 –)	Seal, Top Pan	1
40	82176	(010001 –)	Tower, Front Bumper, R.H.	1
41	03023	(010001 –)	Bumper, Front	1
42	82171	(010001 –)	Tower, Front Bumper, L.H.	1
43	02944	(010001 –)	Molding, Rigid	1

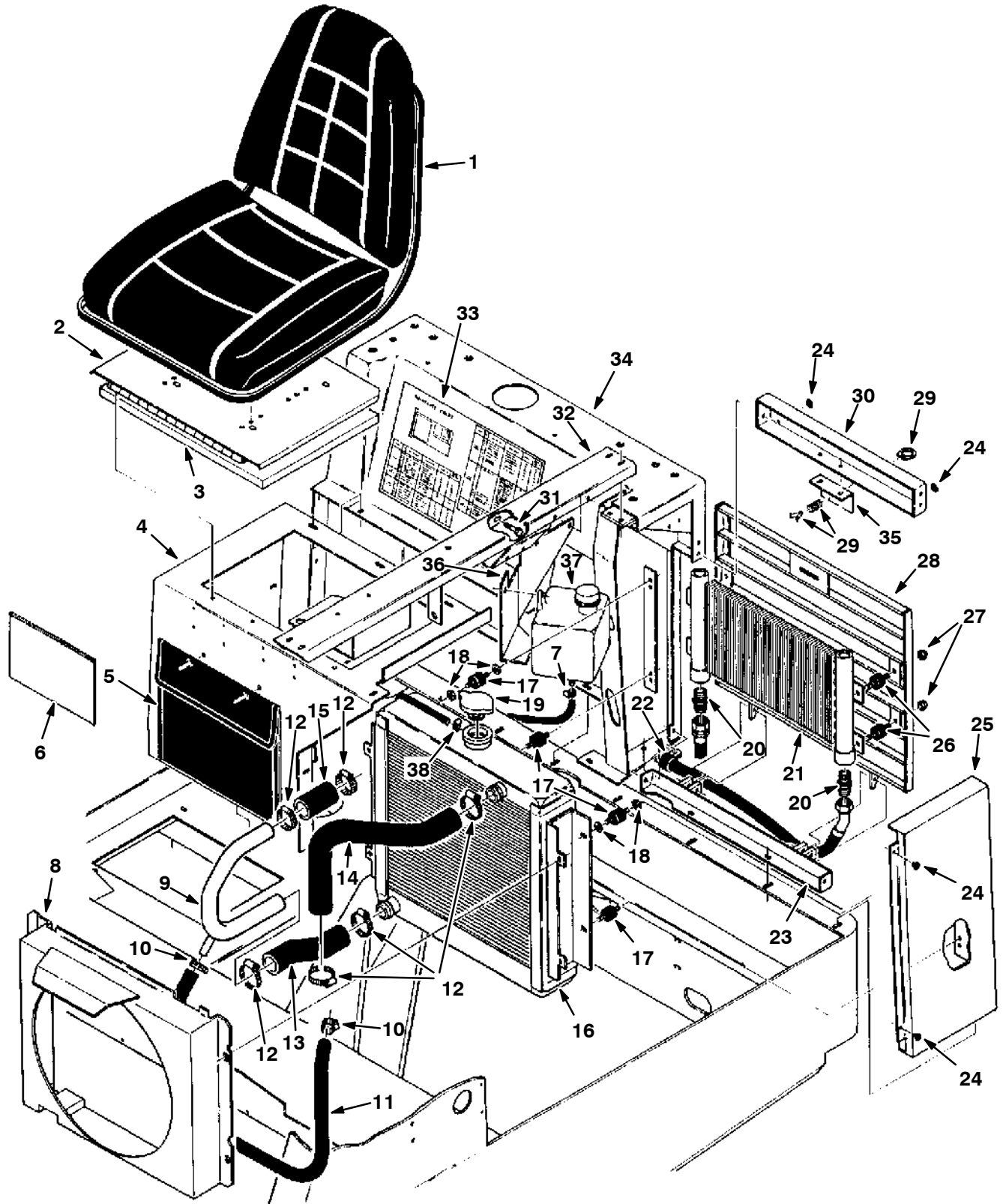


Fig. 4 – Seat and Radiator Group

Fig. 4 – Seat and Radiator Group

Key	TENNANT® Part No.	Machine Serial Number	Description	Qty.
1	82343	(010001–010749)	Seat, Suspension	1
2	82346	(010001–010749)	Mount, Seat	1
3	82300	(010001–010749)	Foam, Acoustic	1
4	82321	(010001–010749)	Support, Front Seat	1
5	68275	(010001–010749)	Pouch, Operator's Manual	1
6	MM161	(010001–010749)	Manual, Operator Handbook	1
7	43844	(010001–010749)	Clamp, Worm Drive	2
8	07676	(010001–010749)	Shroud, Fan	1
9	03178	(010001–010749)	Tube, Lower Radiator Hose	1
10	63810	(010001–010749)	Clamp, Worm Drive	2
11	82681	(010001–010749)	Hose, Heater	1
12	11531	(010001–010749)	Clamp, Worm Drive	6
13	03176	(010001–010749)	Hose, Lower Radiator	1
14	03177	(010001–010749)	Hose, Upper Radiator	1
15	62378	(010001–010749)	Hose, Radiator	1
16	03251	(010001–010749)	Radiator	1
17	82661	(010001–010749)	Isolator, Vibration	4
18	82662	(010001–010749)	Spacer	4
19	82688	(010001–010749)	Cap, Radiator	1
20	42260	(010001–010749)	Fitting, Straight	2
21	82798	(010001–010749)	Cooler, Hydraulic	1
22	58366	(010001–010749)	Clamp, Support	1
23	82314	(010001–010749)	Channel, Lower Stiffener	1
24	29233	(010001–010749)	Bumper, Rubber	4
25	82316	(010001–010749)	Panel, Rear Left Corner	1
26	51322	(010001–010749)	Isolator, Vibration	4
27	41128	(010001–010749)	Nut, Low Crown	4
28	82310	(010001–010749)	Grille	1
29	82315	(010001–010749)	Latch, Quarter Turn	1
30	82313	(010001–010749)	Channel, Upper Stiffener	1
31	34323	(010001–010749)	Screw, Hex, Nylon	4
32	82768	(010001–010749)	Support, Valve	1
33	11989	(010001–010749)	Label, Maintenance Chart	1
34	82320	(010001–010749)	Support, Rear Seat	1
35	82311	(010001–010749)	Bracket, Mounting Latch	1
36	82699	(010001–010749)	Bracket, Coolant Recovery Tank	1
37	82694	(010001–010749)	Tank, Coolant Recovery	1

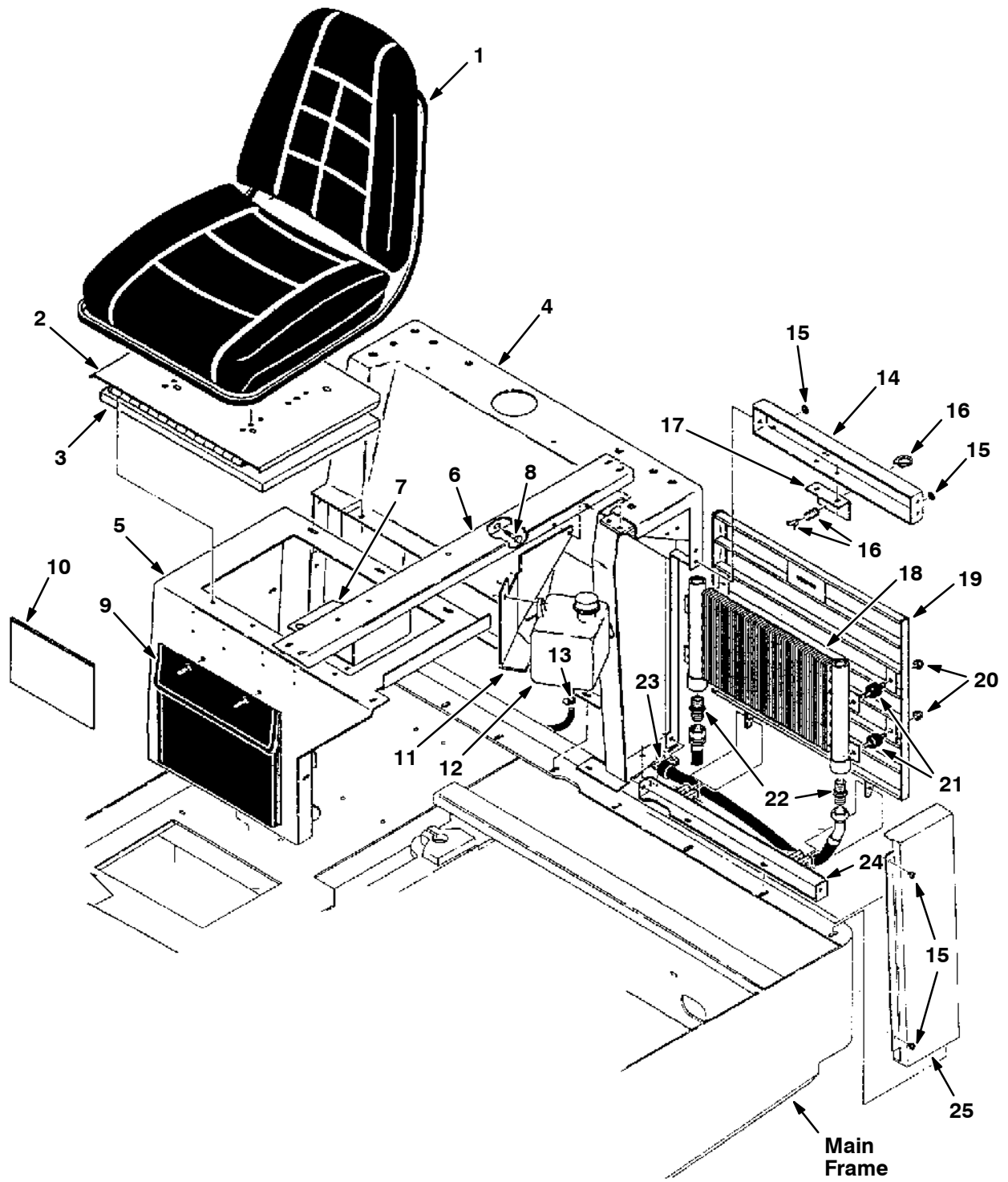


Fig. 5 – Seat Group, Distributorless (DIS)

Fig. 5 – Seat Group, Distributorless (DIS)

Key	TENNANT® Part No.	Machine Serial Number	Description	Qty.
1	82343	(010750–)	Seat, Suspension	1
2	82346	(010750–)	Mount, Seat	1
3	82300	(010750–)	Foam, Acoustic	1
4	30280	(010750–)	Support, Rear Seat	1
5	82321	(010750–)	Support, Front Seat	1
6	31648	(010750–)	Support, Valve	1
7	31531	(010750–)	Bracket, Valve Support	1
8	34323	(010750–)	Screw, Hex Nylon	4
9	68275	(010750–)	Pouch, Operator's Manual	1
10	MM161	(010750–)	Manual, Operator Handbook	1
11	82699	(010750–)	Bracket, Coolant Recovery	1
12	82694	(010750–)	Tank, Coolant Recovery	1
13	43844	(010750–)	Clamp, Worm drive	2
14	82313	(010750–)	Channel, Upper Stiffener	1
15	29233	(010750–)	Bumper, Rubber	4
16	82315	(010750–)	Latch, Quarter Turn	1
17	82311	(010750–)	Bracket, Latch Mounting	1
18	82798	(010750–)	Cooler, Hydraulic	1
19	82310	(010750–)	Grille	1
20	41128	(010750–)	Nut, Low Crown	4
21	51322	(010750–)	Isolator, Vibration	4
22	42260	(010750–)	Fitting, Straight	2
23	58366	(010750–)	Clamp, Support	1
24	82314	(010750–)	Channel, Lower Stiffener	1
25	30368	(010750–)	Panel, Rear Left Corner	1

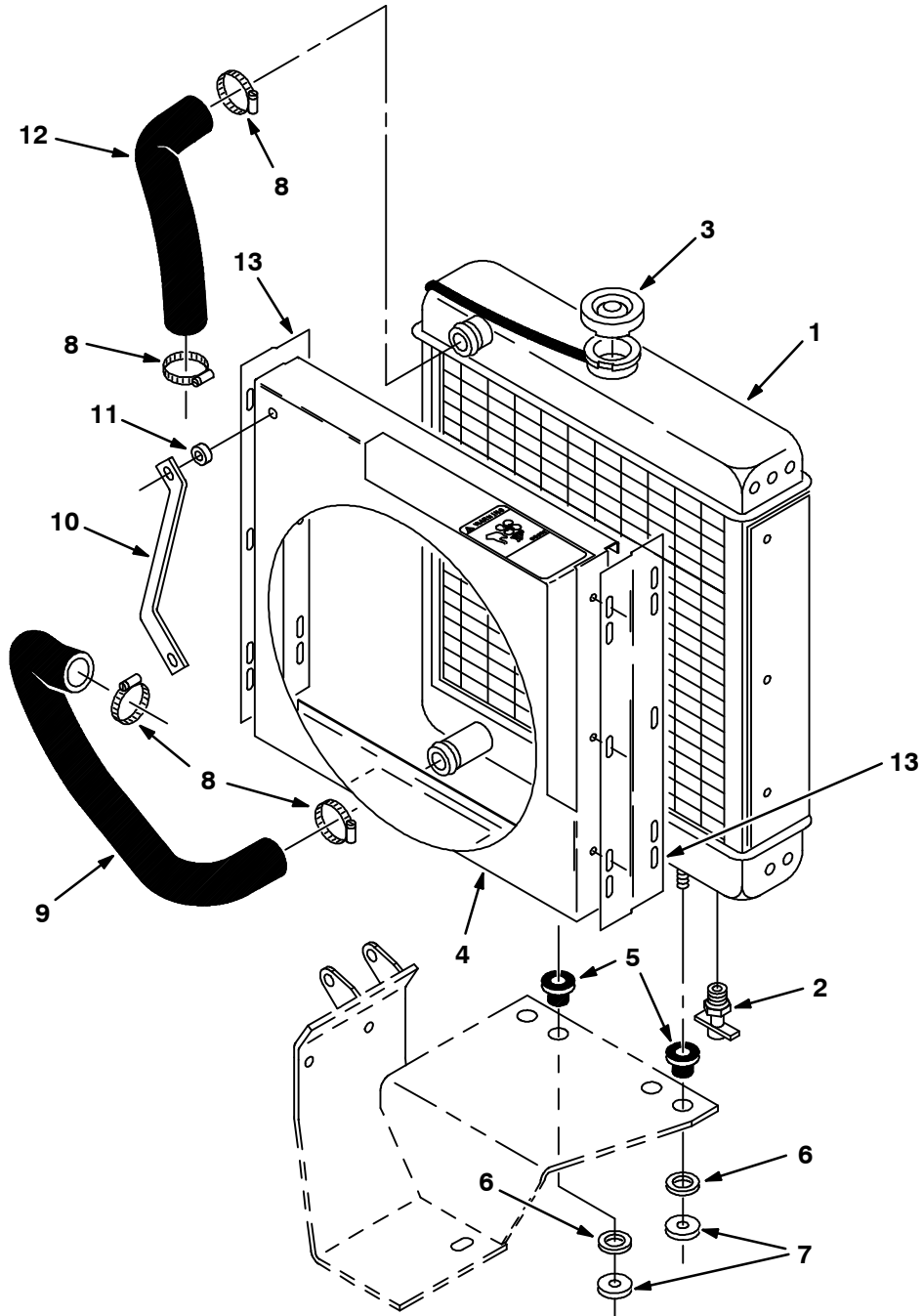


Fig. 6 – Radiator Group, Distributorless (DIS)

Fig. 6 -- Radiator Group, Distributorless (DIS)

Key	TENNANT Part No.	Machine Serial Number	Description	Qty.
1	31490	(010750-)	Radiator	1
2	54911-32	(006500-)	Cock, Drain	1
3	82688	(006500-)	Cap, Radiator	1
4	30348	(010750-)	Guard, Fan W/Label	1
5	54274	(010750-)	Isolator, Vibration	2
6	09832	(010750-)	Washer	2
7	13248	(010750-)	Washer	2
8	11531	(010750-)	Clamp, Worm Drive	4
9	31518	(010750-)	Hose, Radiator	1
10	30354	(010750-)	Bar, Support	1
11	69462	(010750-)	Sleeve	1
12	31517	(010750-)	Hose, Upper Radiator	1
13	31541	(006500-)	Plate, Shroud Support	2

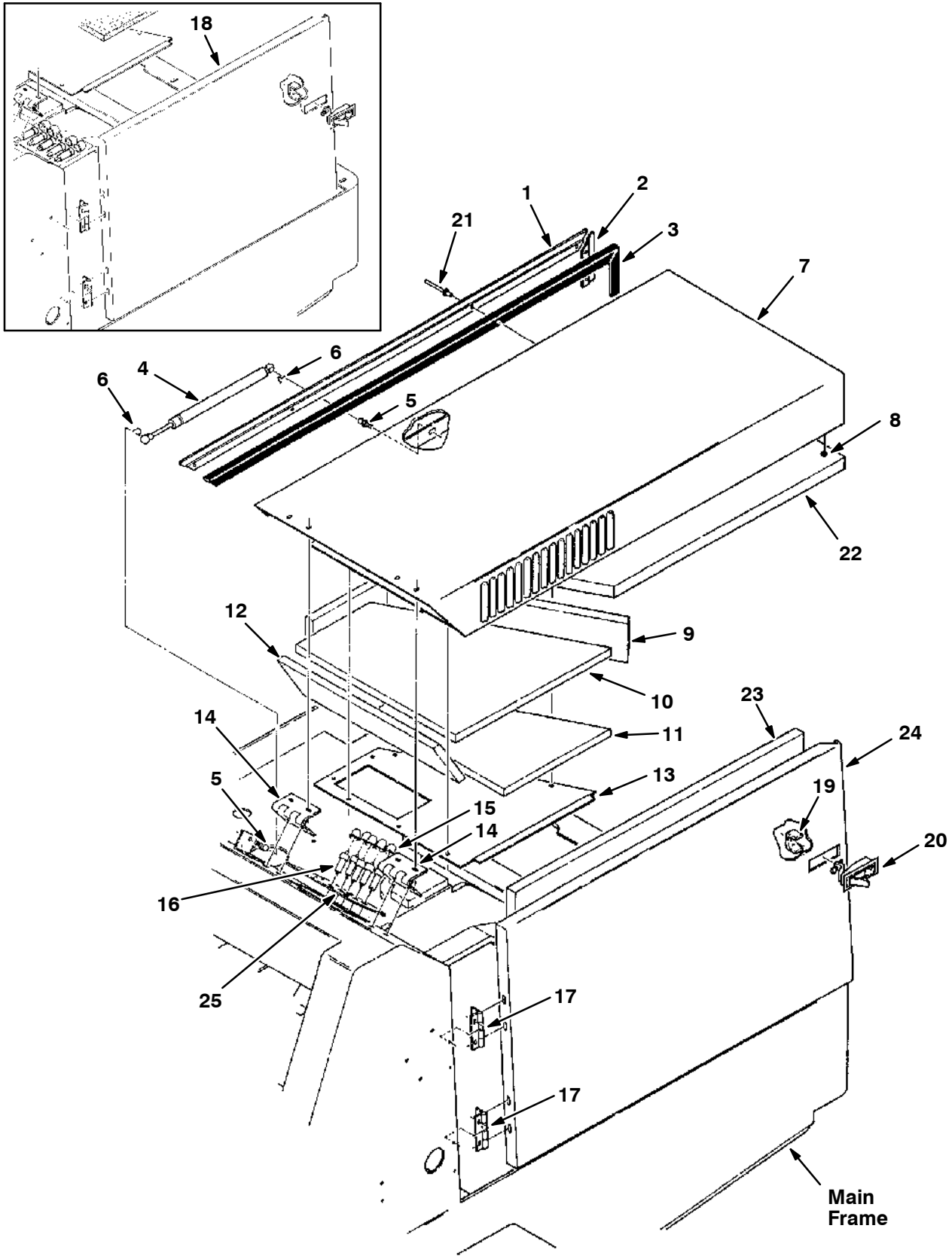


Fig. 7 – Engine Cover and Side Door Group

Fig. 7 – Engine Cover and Side Door Group

Key	TENNANT® Part No.	Machine Serial Number	Description	Qty.
1	82377	(010001 –)	Retainer, Seal	1
2	82378	(010001 –)	Retainer, Seal	1
3	82379	(010001 –)	Seal, Engine Cover	1
4	82334	(010001 –)	Spring, Gas	1
5	58494	(010001 –)	Stud, Ball	2
6	64595	(010001 –)	Clip, Safety	2
7	82319	(010001 –)	Cover, Engine	1
8	51787	(010001 –)	Bumper, Rubber	2
9	82350	(010001 –)	Insulation, Foam Rubber	1
10	82338	(010001 –)	Insulation, Foam Rubber	1
11	82352	(010001 –)	Insulation, Foam Rubber	1
12	82351	(010001 –)	Insulation, Foam Rubber	1
13	82324	(010001 –)	Plate, Engine Cover	1
14	82348	(010001 –)	Hinge	2
15	57751	(010001 –)	Boot, Circuit Breaker	5
16	57803	(010001 –)	Circuit Breaker, 15 A	5
17	47692	(010001 –)	Hinge	2
18	82234	(010001 – 010749)	Panel, Side Door	1
19	57298	(010001 –)	Bracket, Latch	1
20	64533	(010001 –)	Latch, Trigger	1
21	34738	(010001 –)	Rivet, Pop	6
22	82295	(010001 –)	Insulation, Foam Rubber	1
23	82294	(010001 –)	Insulation, Foam Rubber	1
24	30367	(010750 –)	Panel, Side Door	1
25	30391	(010750 –)	Panel, Circuit Breaker	1

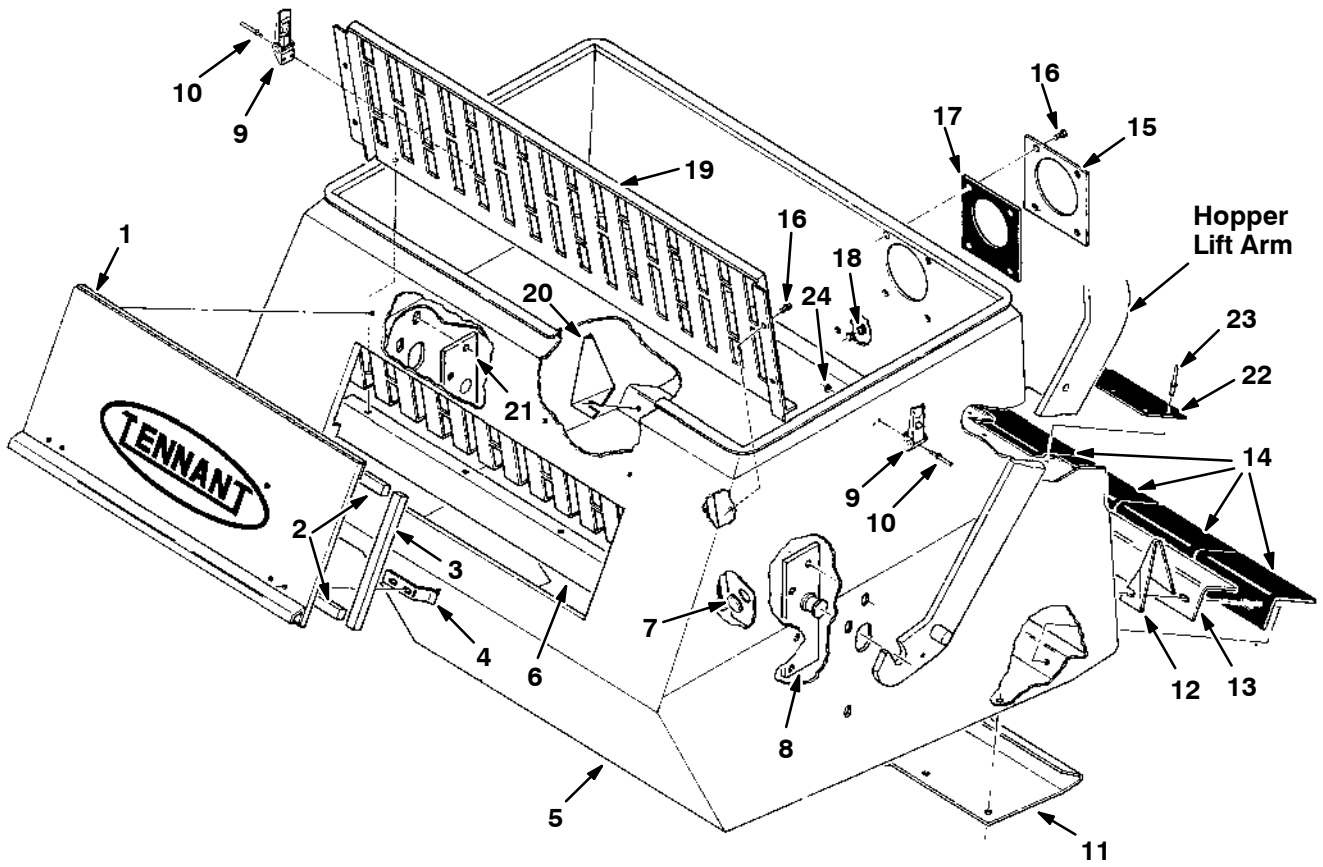


Fig. 8 - Hopper Group

Fig. 8 – Hopper Group

Key	TENNANT Part No.	Machine Serial Number	Description	Qty.
1	53462	(010001 –)	Door, Hopper	1
2	53461 –2	(010001 –)	Seal, Foam Rubber	2
3	53461 –1	(010001 –)	Seal, Foam Rubber	2
4	53697	(010001 –)	Catch, Spring	2
5	02671	(010001 –)	Hopper	1
6	82468	(010001 –)	Deflector, Filter Box	1
7	47178 –2	(010001 –)	Plugbutton	1
8	24096	(010001 –)	Support, Front Pan, L.H.	1
9	87579	(010001 –)	Latch, Tension	2
10	34738	(010001 –)	Rivet, Pop	4
11	46077	(010001 –)	Plate	1
12	46596	(010001 –)	Deflector, Dirt, L.H.	1
13	46080	(010001 –)	Angle, Rubber Lip Backing	1
14	48060	(010001 –)	Lip, Rubber	5
15	82467	(010001 –)	Plate, Seal Retaining	1
16	58670	(010001 –)	Screw, Hex, Nylon	13
17	82466	(010001 –)	Seal, Hopper	1
18	47178 –3	(010001 –)	Plugbutton	1
19	82469	(010001 –)	Baffle, Hopper Inner	1
20	46595	(010001 –)	Deflector, Dirt, R.H.	1
21	24097	(010001 –)	Support, Front Pan, R.H.	1
22	02886	(010001 –)	Seal, Hopper	1
23	56799	(010001 –)	Rivet, Pop	5
24	02892	(010001 –)	Washer	4

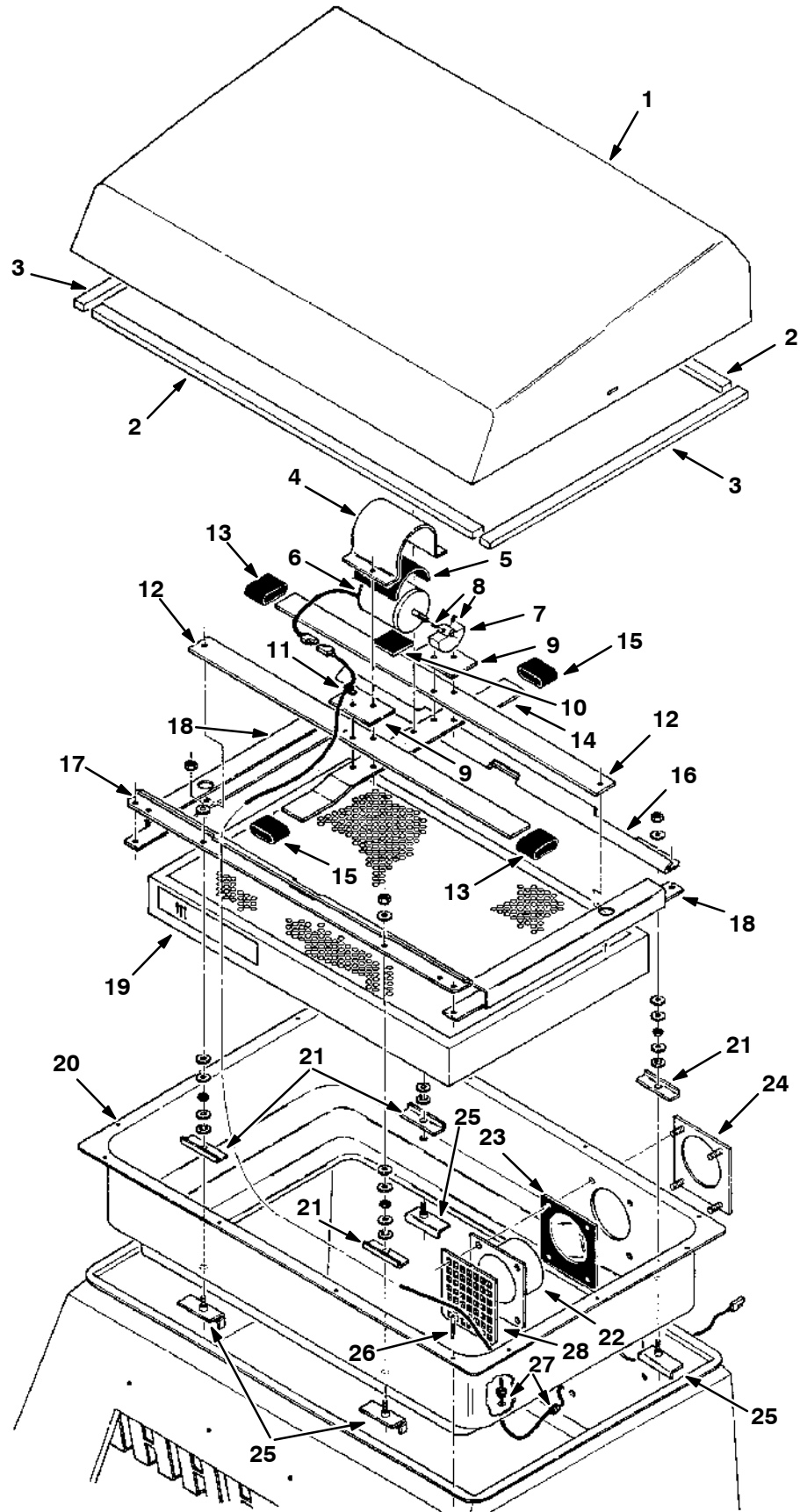


Fig. 9 – Hopper Cover and Filter Group

Fig. 9 – Hopper Cover and Filter Group

Key	TENNANT Part No.	Machine Serial Number	Description	Qty.
1	02728	(010001 –)	Cover, Hopper and Filter	1
2	82416	(010001 –)	Seal, Hopper Cover	2
3	82415	(010001 –)	Seal, Hopper Cover	2
4	36666	(010001 –)	Strap, Motor	1
5	36658	(010001 –)	Bar, Rubber	1
6	54121	(010001 –)	Motor, Electric	1
7	55130	(010001 –)	Weight, Eccentric	1
8	39319	(010001 –)	Screw, Set	2
9	82475	(010001 –)	Bar, Shaker Spring	2
10	36661	(010001 –)	Bar, Rubber	2
11	46236	(010001 –)	Clamp, Cable	1
12	58482	(010001 –)	Spring, Shaker	2
13	36663	(010001 –)	Sleeve, Rubber	2
14	58483	(010001 –)	Bar, Shaker	1
15	36665	(010001 –)	Sleeve, Rubber	2
16	82455	(010001 –)	Bracket, Rear Retaining	1
17	82452	(010001 –)	Bracket, Filter Retainer	1
18	82453	(010001 –)	Bracket, Retaining	2
19	58476	(010001 –)	Filter, Panel 137 Pleats	1
19	12962	(010001 –)	Filter, Panel 94 Pleats	1
19	25885	(010001 –)	Filter, Panel Synthetic	1
20	82460	(010001 –)	Carrier, Filter	1
21	82472	(010001 –)	Bracket	4
22	82461	(010001 –)	Tube, Duct	1
23	82471	(010001 –)	Seal, Hopper	1
24	82465	(010001 –)	Plate, Retaining	1
25	82504	(010001 –)	Stud Assembly, Filter Mount	4
26	82457	(010001 –)	Rivet, Pop	14
27	47591	(010001 –)	Strain Relief	2
28	82514	(010001 –)	Screen, Fan Inlet	1

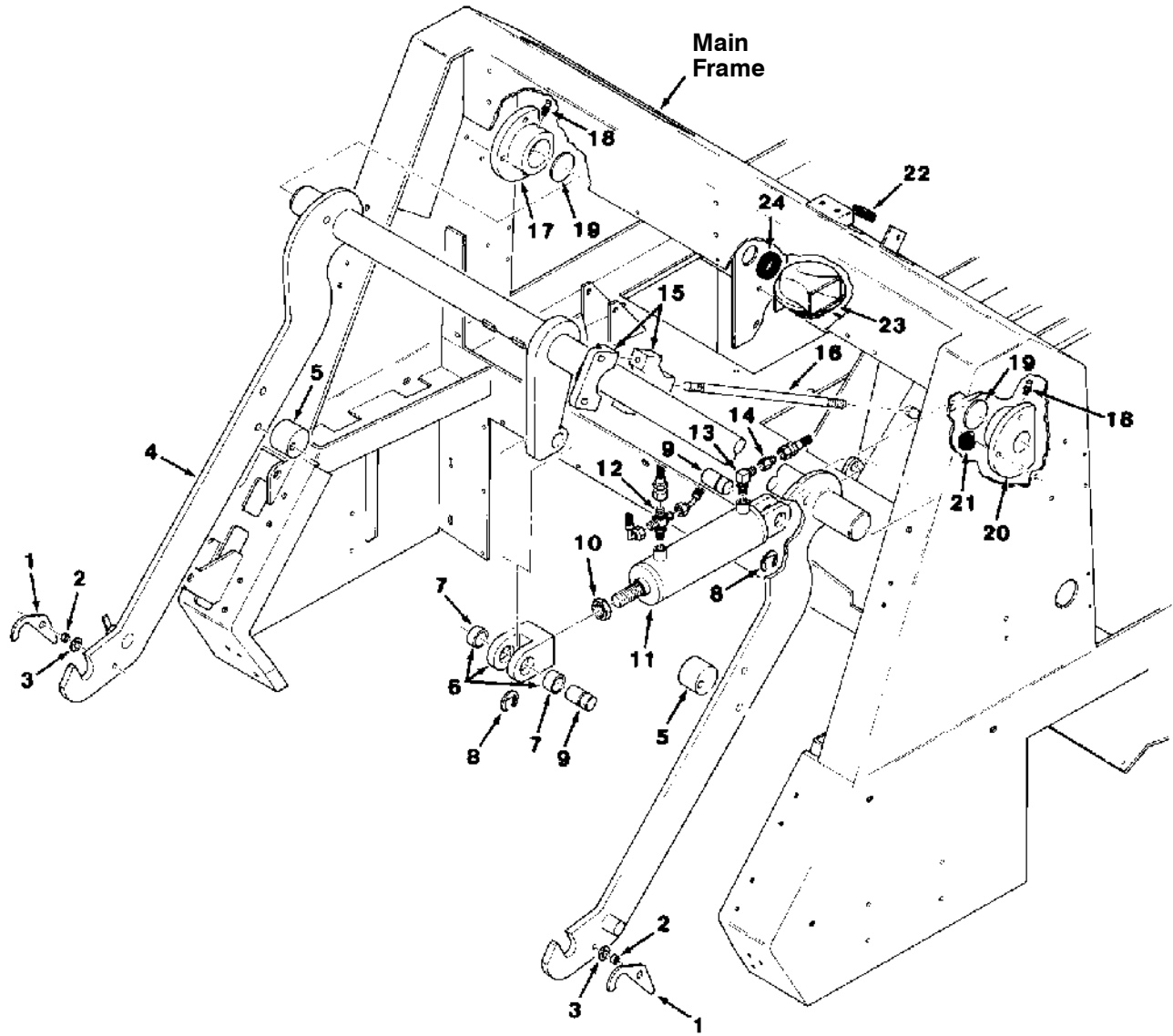


Fig. 10 – Hopper Lift Arms Group

Fig. 10 – Hopper Lift Arms Group

Key	TENNANT Part No.	Machine Serial Number	Description	Qty.
1	46132	(010001 –)	Hook	2
2	46137	(010001 –)	Sleeve	2
3	46147	(010001 –)	Washer	2
4	82191	(010001 –)	Arm Assembly, Hopper	1
5	23452-2	(010001 –)	Cam, Pan Adjusting	2
6	32942	(010001 –)	Clevis Assembly	1
7	35688	(010001 –)	Bearing, Journal	2
8	23788	(010001 –)	Ring, Retaining	2
9	32941	(010001 –)	Pin, Grooved	2
10	48988	(010001 –)	Nut, Hex	1
11	04468	(010001 –)	Cylinder, Hydraulic (See Hydraulic Components)	1
12	82802	(010001 –)	Fitting, Cross	1
13	77097	(010001 –)	Fitting, Elbow	1
14	16456	(010001 –)	Fitting, Restrictor	1
15	23580-2	(010001 –)	Bearing	1
16	23583-2A	(010001 –)	Stud	1
17	23454-2	(010001 –)	Bearing, R.H.	1
18	47801	(010001 –)	Fitting, Grease	2
19	23138	(010001 –)	Shim	6
20	23455-2	(010001 –)	Bearing, L.H.	1
21	82829	(010001 –)	Clamp, Support	1
22	10632-19	(010001 –)	Grommet, Rubber	1
23	14138A	(010001 –)	Horn	1
24	10632-1	(010001 –)	Grommet, Rubber	1

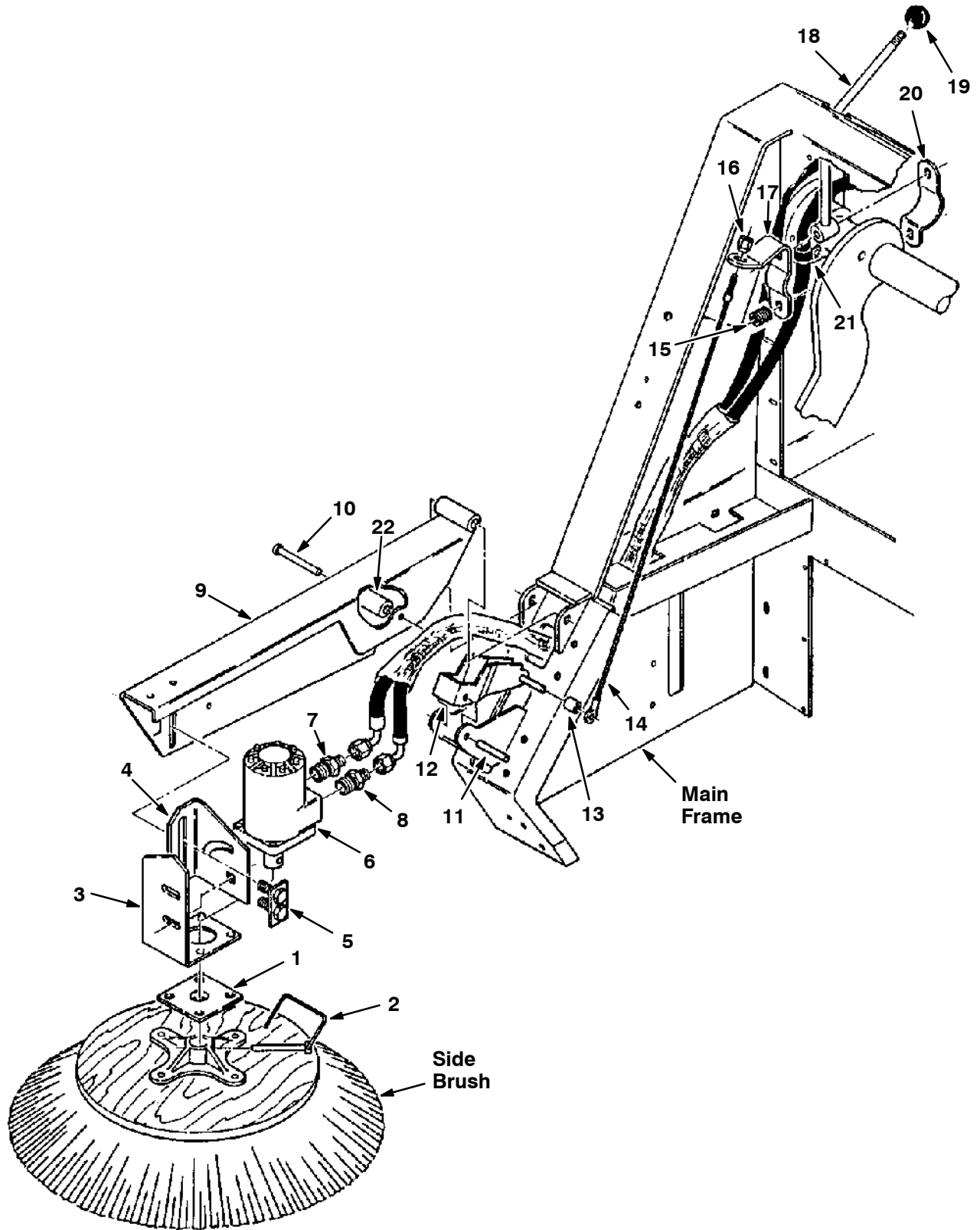


Fig. 11 – Side Brush Group

Fig. 11 -- Side Brush Group

Key	TENNANT Part No.	Machine Serial Number	Description	Qty.
1	16082	(010001-)	Guard, String	1
2	02662	(010001-)	Keeper, Pin	1
3	02661	(010001-)	Bracket, Motor	1
4	24207	(010001-)	Bracket, Adjustment	1
5	46347	(010001-)	Lug, Side Brush	1
6	13105	(010001-010216)	Motor, Hydraulic (See Hydraulic Components)	1
6	28808	(010217-)	Motor, Hydraulic (See Hydraulic Components)	1
7	57984	(010001-)	Fitting, Straight	1
8	47508	(010001-)	Fitting, Straight	1
9	48062	(010001-)	Arm, Side Brush	1
10	23191	(010001-)	Pin, Clevis	1
11	23536	(010001-)	Pin	1
12	23503A	(010001-)	Lever Assembly, Lift	1
13	08892	(010001-)	Sleeve	1
14	23294	(010001-)	Cable Assembly, Eye and Stud	1
15	14174	(010001-)	Spring, Compression	1
16	23293	(010001-)	Nut, Hex, Special	1
17	23307-1	(010001-)	Lever, Lift Handle	1
18	82135	(010001-)	Handle, Brush Lift	1
19	26156	(010001-)	Knob	1
20	23306-1	(010001-)	Bracket, Clip	1
21	82829	(010001-)	Clamp, Hose Support	1
22	02885	(010001-)	Sleeve	1

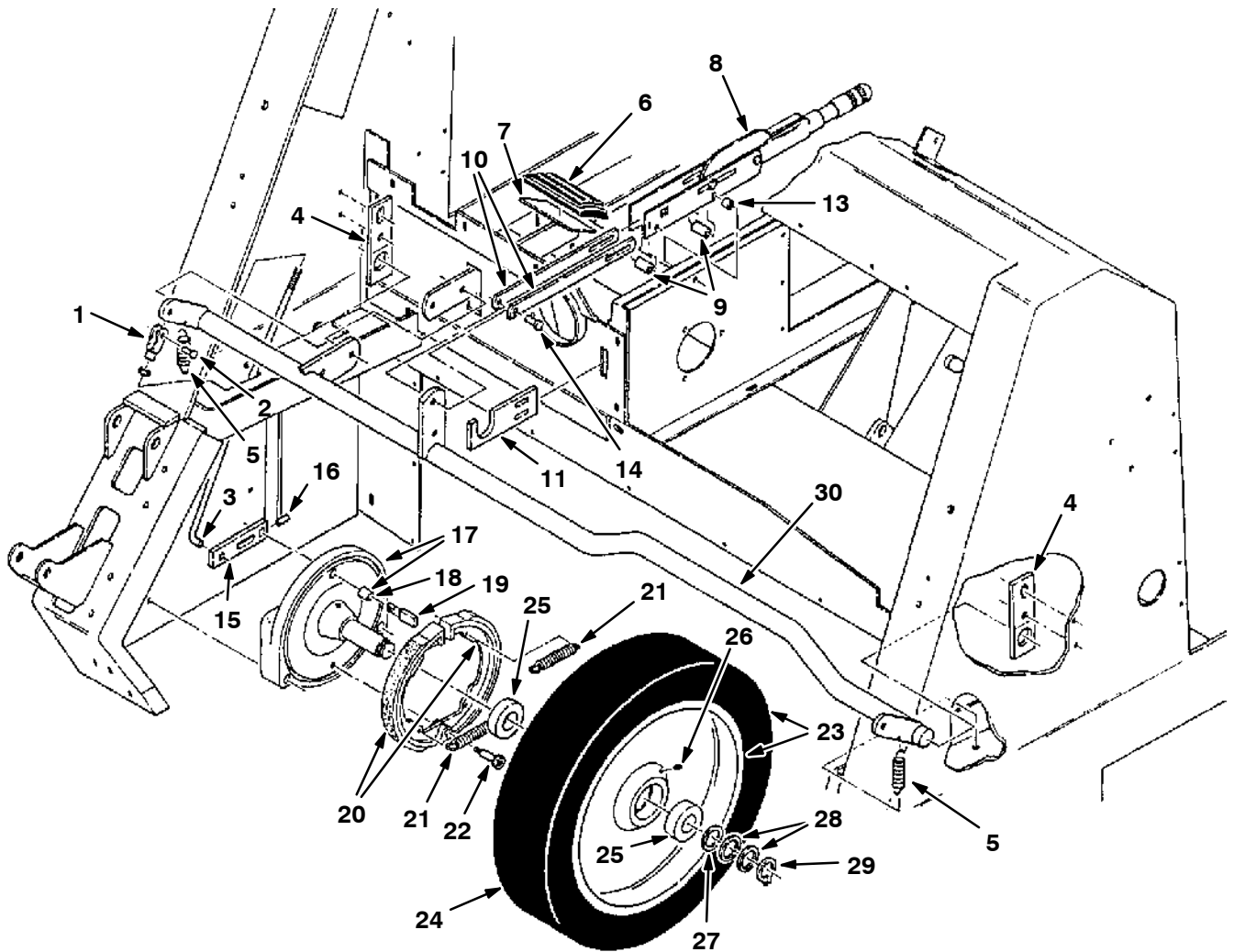
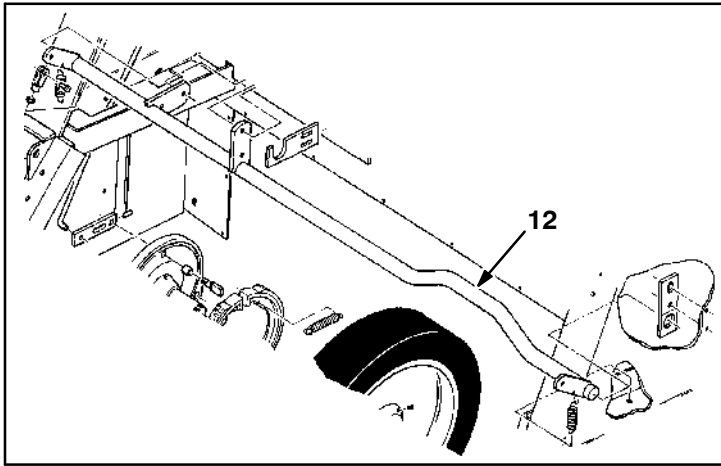


Fig. 12 – Front Wheel and Brakes Group

Fig. 12 – Front Wheel and Brakes Group

Key	TENNANT Part No.	Machine Serial Number	Description	Qty.
1	14595-1	(010001-)	Clevis, Adjustable	2
2	14605	(010001-)	Pin, Clevis	2
3	82219	(010001-)	Rod, Brakes Control	2
4	23280-2	(010001-)	Hanger	2
5	03091	(010001-)	Spring, Tension	2
6	51109	(010001-)	Pad	1
7	82244	(010001-)	Arm, Brake Pedal	1
8	51545	(010001-)	Lever, Brake	1
9	51562	(010001-)	Sleeve	2
10	82254	(010001-)	Arm, Extension	2
11	82255	(010001-)	Support, Cross Shaft	1
12	82240	(010001-010749)	Shaft, Brake	1
13	01275	(010001-)	Sleeve	1
14	69582	(010001-)	Pin, Clevis	1
	82232	(010001-)	Axle Assembly, Front	2
15	23484	(010001-)	Arm	1
16	20021	(010001-)	Pin, Roll	1
17	08107	(010001-)	Axle and Bushing Assembly, Front	1
18	24992	(010001-)	Bushing, Sleeve	1
19	23272	(010001-)	Cam	1
20	56058	(010001-)	Brake Shoe and Lining Assembly	2
21	09758	(010001-)	Spring, Tension	2
22	56060	(010001-)	Screw, Shoulder	1
	82230	(010001-)	Wheel Assembly, Front	2
23	82238	(010001-)	Wheel and Tire Assembly	1
24	25197A	(010001-)	Tire	1
25	33816	(010001-)	Bearing, Ball	2
26	10552	(010001-)	Fitting, Plug	1
27	82226	(010001-)	Washer	2
28	82227	(010001-)	Washer	4
29	06442	(010001-)	Ring, Retainer	2
30	30390	(010750-)	Shaft, Brake	1

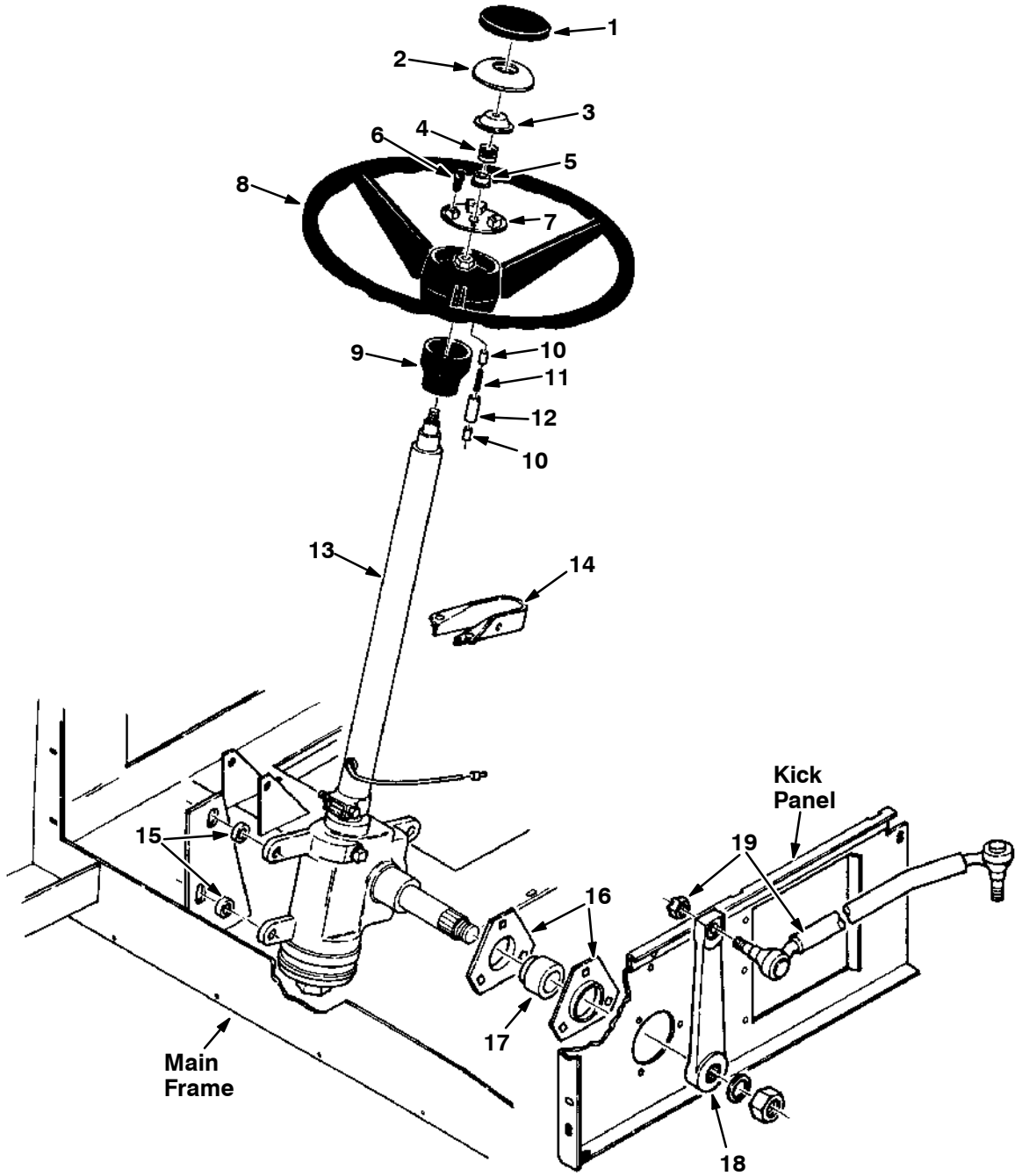


Fig. 13 – Steering Control Group

Fig. 13 – Steering Control Group

Key	TENNANT Part No.	Machine Serial Number	Description	Qty.
1	47010-7	(010001-)	Cover, Horn Button	1
2	47010-6	(010001-)	Button, Horn	1
3	47010-2	(010001-)	Cup, Contact	1
4	47010-3	(010001-)	Spring, Horn Button	1
5	47010-1	(010001-)	Cap, Contact	1
6	47010-4	(010001-)	Screw, Wood	3
7	47010-5	(010001-)	Plate Assembly, Base	1
8	82201	(010001-)	Wheel, Steering	1
9	54159	(010001-)	Adaptor, Molded	1
9	47011	(010001-)	Unit Assembly, Horn Brush	1
10	46311	(010001-)	Brush, Horn	2
11	46313	(010001-)	Spring, Compression	1
12	46312	(010001-)	Tube, Acrylic	1
13	55667	(010001-)	Gear and Column Assembly, Steering	1
14	23315-2	(010001-)	Support, Steering Column	1
15	82229	(010001-)	Sleeve	2
16	51449	(010001-)	Flange, Bearing	2
17	48050-1	(010001-)	Bearing, Ball	1
18	35618	(010001-)	Arm, Pitman	1
19	53481	(010001-)	Link, Drag	1

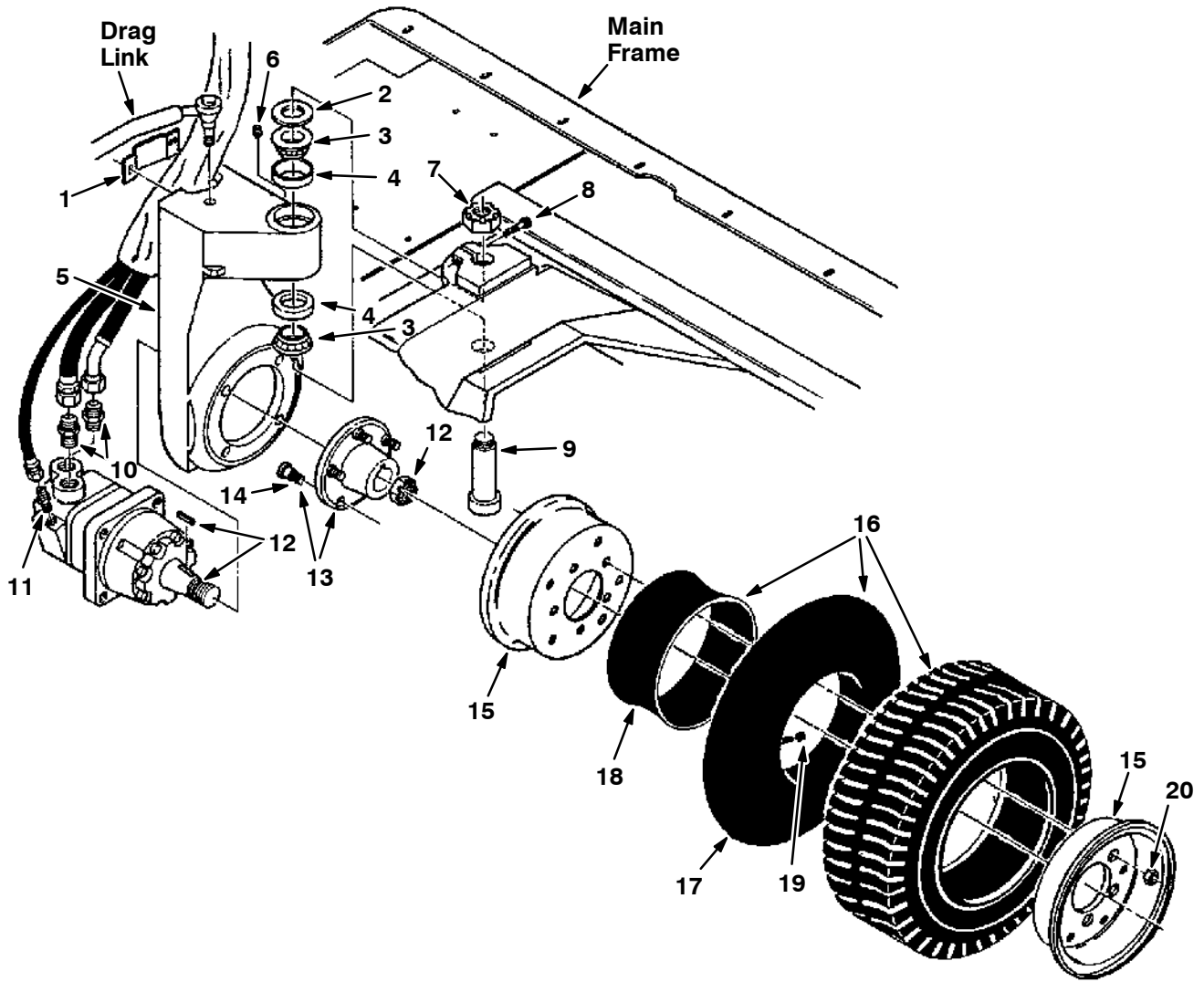


Fig. 14 – Rear Wheel Drive Group

Fig. 14 – Rear Wheel Drive Group

Key	TENNANT Part No.	Machine Serial Number	Description	Qty.
1	82797	(010001 –)	Clamp, Hose	1
2	47719	(010001 –)	Washer	1
	49225	(010001 –)	Bearing, Cup and Cone Assembly	1
3	24988	(010001 –)	Bearing, Cone	2
4	24989	(010001 –)	Bearing, Cup	2
5	02637	(010001 –)	Support, Rear Drive	1
6	47801	(010001 –)	Fitting, Grease	1
7	14242	(010001 –)	Nut, Slotted Hex	1
8	02987	(010001 –)	Screw, Socket	1
9	57925	(010001 –)	Pin, Support	1
10	06750	(010001 –)	Fitting, Straight	2
11	55586	(010001 –)	Fitting, Straight	1
12	48663	(010001 –)	Motor, Hydraulic (See Hydraulic Components)	1
13	02640	(010001 –)	Hub and Stud Assembly	1
14	51355	(010001 –)	Stud, Wheel	5
	53640	(010001 –)	Tire and Wheel Assembly, Rear	1
15	53818	(010001 –)	Rim Assembly	1
16	53819	(010001 –)	Tire, Tube and Flap Assembly	1
17	53819-1	(010001 –)	Tube, Inner	1
18	53819-2	(010001 –)	Flap, Tire Tube	1
19	45786	(010001 –)	Cap, Valve Stem	1
20	24339	(010001 –)	Nut, Wheel Angle	5

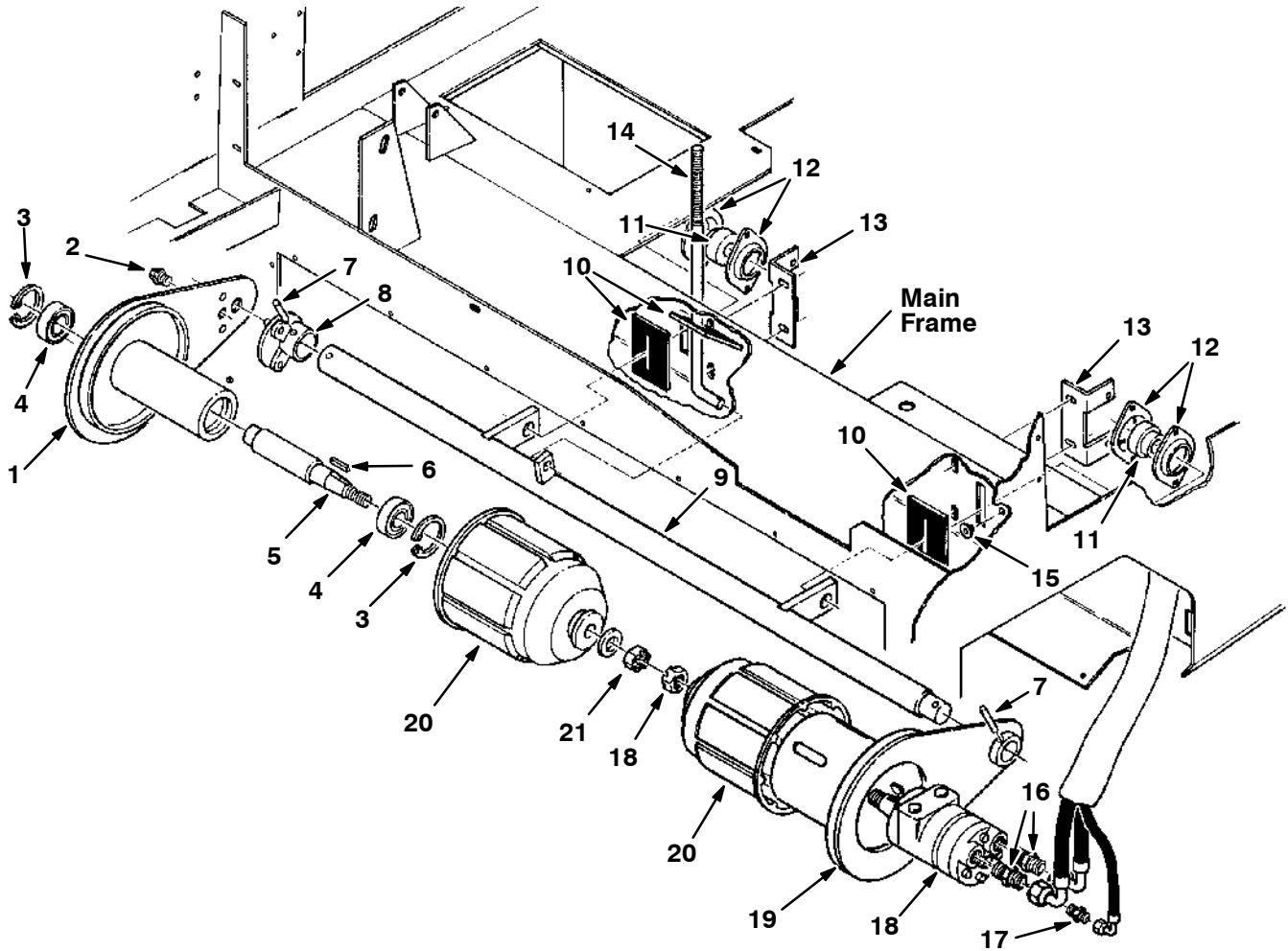


Fig. 15 -- Main Brush Drive Group

04718

Key	TENNANT Part No.	Machine Serial Number	Description	Qty.
1	02659	(010001-)	Arm, Idler	1
2	53985	(010001-)	Plug	1
3	40727	(010001-)	Ring, Retaining	2
4	13534	(010001-)	Bearing, Ball	2
5	13151	(010001-)	Shaft, Idler	1
6	00927	(010001-)	Key, Square	1
7	20050	(010001-)	Pin, Roll	2
8	07496	(010001-)	Hub Assembly, Brush Arm	1
9	07499	(010001-)	Shaft, Counter	1
10	53906	(010001-)	Seal, Brush Wrap	3
11	25887	(010001-)	Bearing and Collar	2
12	35973	(010001-)	Flange, Bearing	4
13	50521	(010001-)	Bracket, Support	2
14	35677	(010001-)	Rod, L	1
15	82169	(010001-)	Plug	4
16	44869	(010001-)	Fitting, Straight	2
17	55586	(010001-)	Fitting, Straight	1
18	13106	(010001-010232)	Motor, Hydraulic (See Hydraulic Components)	1
18	27800	(010233-)	Motor, Hydraulic (See Hydraulic Components)	1
19	02657	(010001-)	Arm, Brush Drive	1
20	87631	(010001-)	Plug, Brush Drive	2
21	39527	(010001-)	Nut, Slotted Hex	1

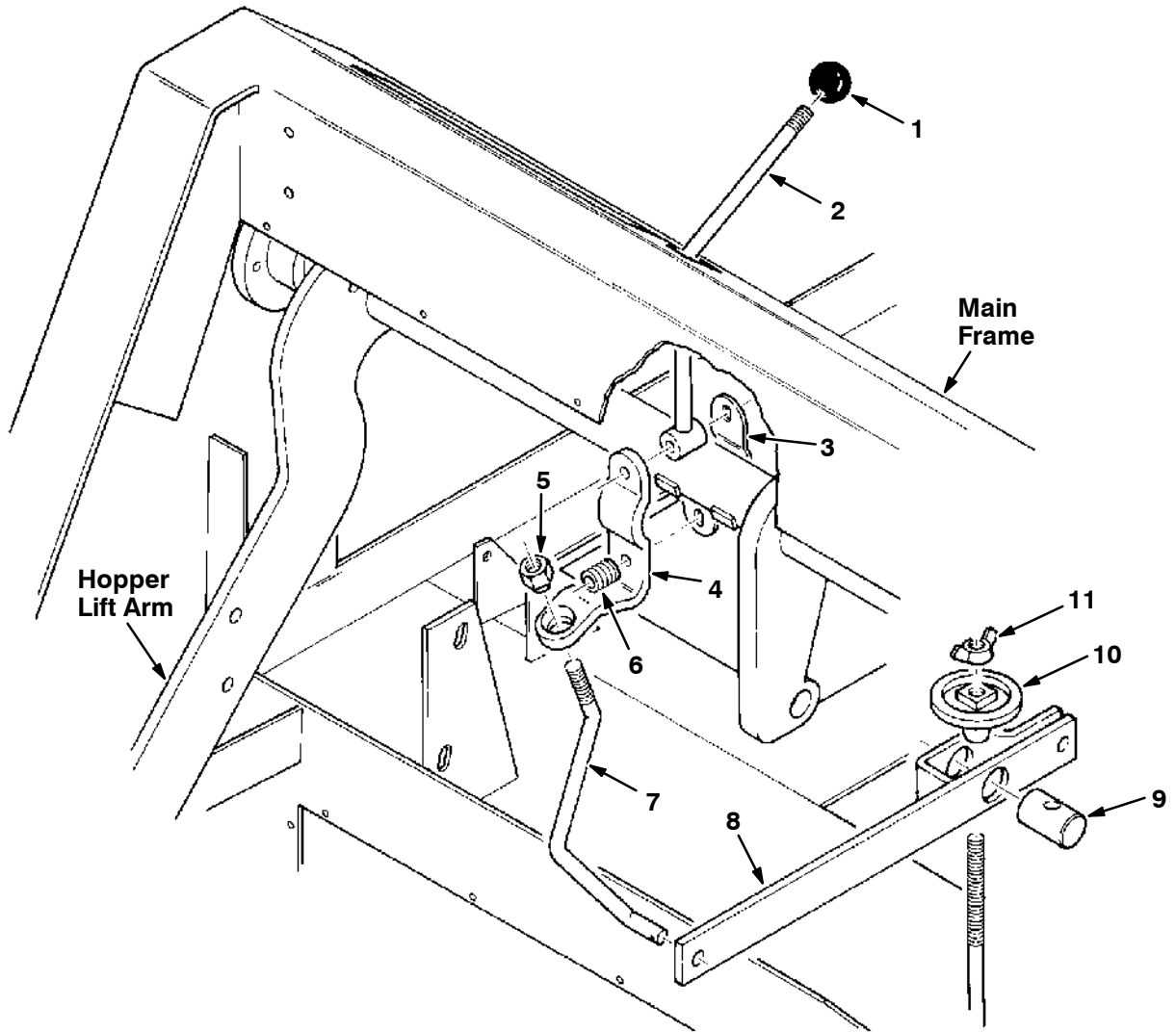


Fig. 16 – Main Brush Lift Group

05900

Key	TENNANT Part No.	Machine Serial Number	Description	Qty.
1	26156	(010001-)	Knob	1
2	82135	(010001-)	Handle, Brush Lift	1
3	23306-1	(010001-)	Bracket, Clip	1
4	23307-1	(010001-)	Lever, Lift Handle	1
5	24339	(010001-)	Nut, Wheel Angle	1
6	14174	(010001-)	Spring, Compression	1
7	53182	(010001-)	Rod, Lift	1
8	53876	(010001-)	Arm, Lift	1
9	51391	(010001-)	Pin, Swivel	1
10	51452	(010001-)	Knob	1
11	39274	(010001-)	Nut, Wing	1

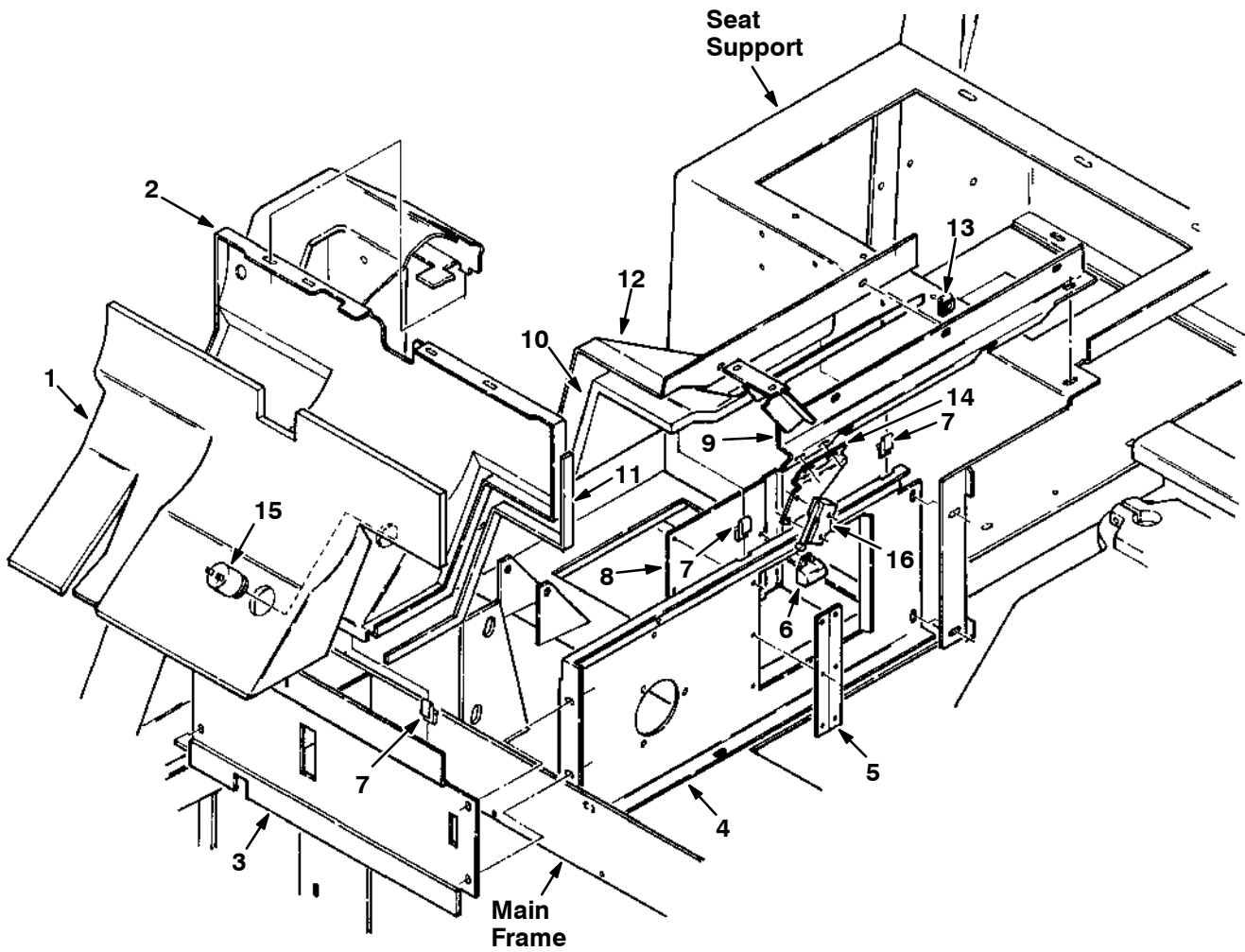


Fig. 17 – Access and Kick Panels Group

04520

Key	TENNANT Part No.	Machine Serial Number	Description	Qty.
1	10870	(010001-)	Foam, Acoustic	1
2	10869	(010001-010140) Panel, Dash Board	1
2	02724	(010141-)	Panel, Dash Board	1
3	82363	(010001-010140) Panel, Front Kick	1
3	02722	(010141-)	Panel, Front Kick	1
4	82354	(010001-)	Panel, Kick	1
5	62615	(010001-)	Hinge	1
6	64903	(010001-)	Catch, Door Roller	1
7	82362	(010001-)	Clip, S Spring	6
8	82353	(010001-)	Door, Access	1
9	82385	(010001-)	Stiffener, Panel	1
10	82365	(010001-)	Foam, Acoustic	1
11	49351-4	(010001-)	Seal, Foam Rubber	1
12	82360	(010001-)	Panel, Access	1
13	61110	(010001-)	Nut, U-Type Retainer	3
14	82084	(010001-)	Bracket, Switch	1
15	10867	(010001-)	Alarm	1
16	82092	(010001-)	Switch, Roller Lever (Switch mounts on the (opposite side of the bracket for Multi-Level Dump machine)	1

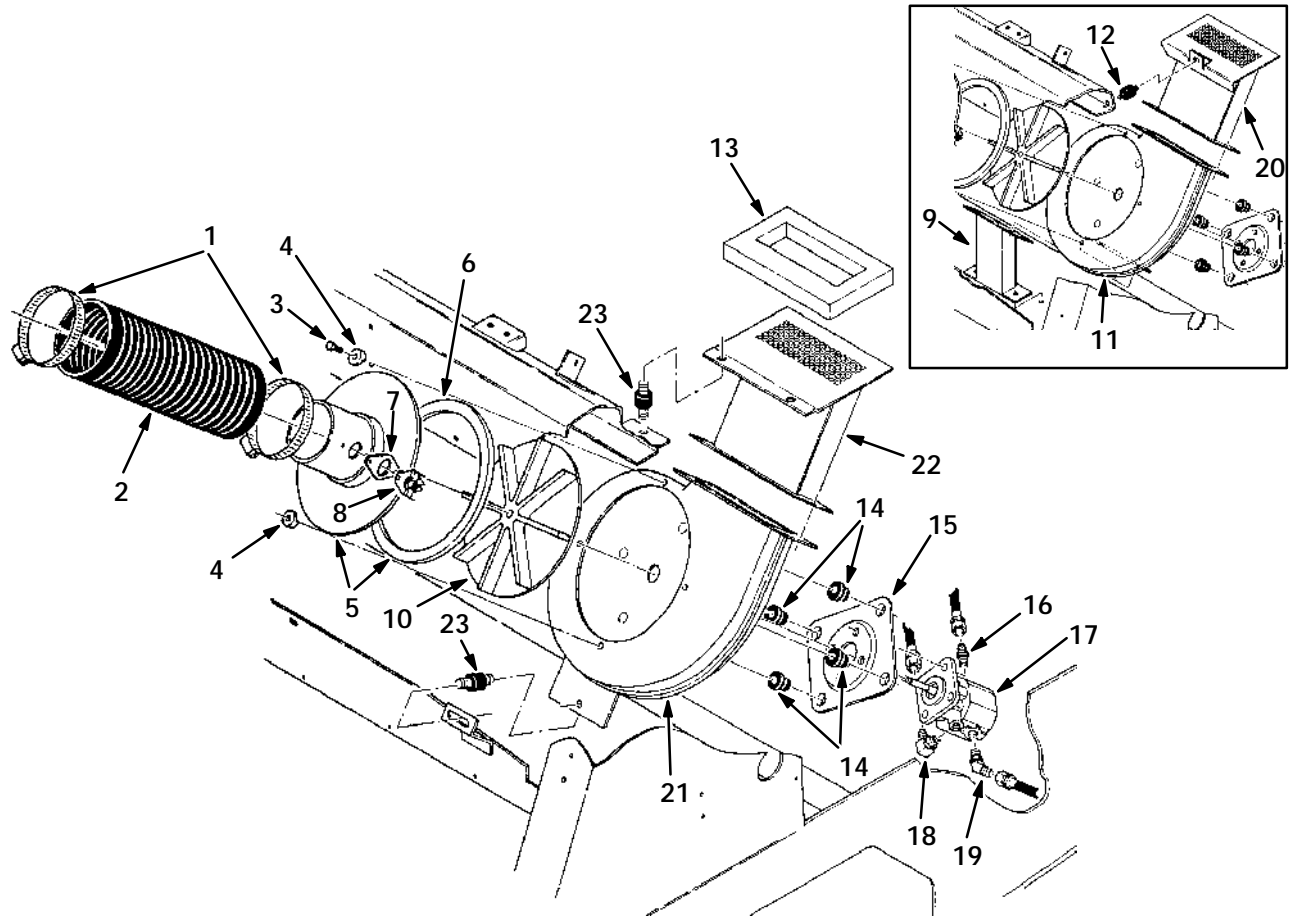


Fig. 18 -- Vacuum Fan Group

04745

Key	TENNANT Part No.	Machine Serial Number	Description	Qty.
1	23498	(010001-)	Clamp, Worm Drive	2
2	51881	(010001-)	Hose, Flex	1
3	34323	(010001-)	Screw, Hex, Nylon	4
4	03467A	(010001-)	Clip, Vacuum Housing	4
5	82368	(010001-)	Inlet Assembly, Vacuum Fan	1
6	23542	(010001-)	Seal, Foam Rubber	1
7	82733	(010001-)	Gasket, Fire Switch	1
8	02712	(010001-)	Thermostat, Sealed	1
9	82480	(010001-010749)	Mount, Fan	1
10	82268	(010001-)	Impeller	1
11	82386	(010001-010749)	Housing, Vacuum Fan	1
12	82661	(010001-010749)	Isolator, Vibration	1
13	82424	(010001-)	Seal, Muffler	1
14	54274	(010001-)	Isolator, Vibration	4
15	54275A	(010001-)	Bracket, Mounting	1
16	44869	(010001-)	Fitting, Straight	1
17	77101	(010001-)	Motor, Hydraulic (See Hydraulic Components)	1
18	77097	(010001-)	Fitting, Elbow	1
19	42226	(010001-)	Fitting, Elbow, 45°	1
20	82396	(010001-010749)	Duct, Fan Exhaust	1
21	31712	(010750-)	Housing, Vacuum Fan	1
22	30362	(010750-)	Duct, Fan Exhaust	1
23	82661	(010750-)	Isolator, Vibration	3

LOW DUMP MODEL PARTS

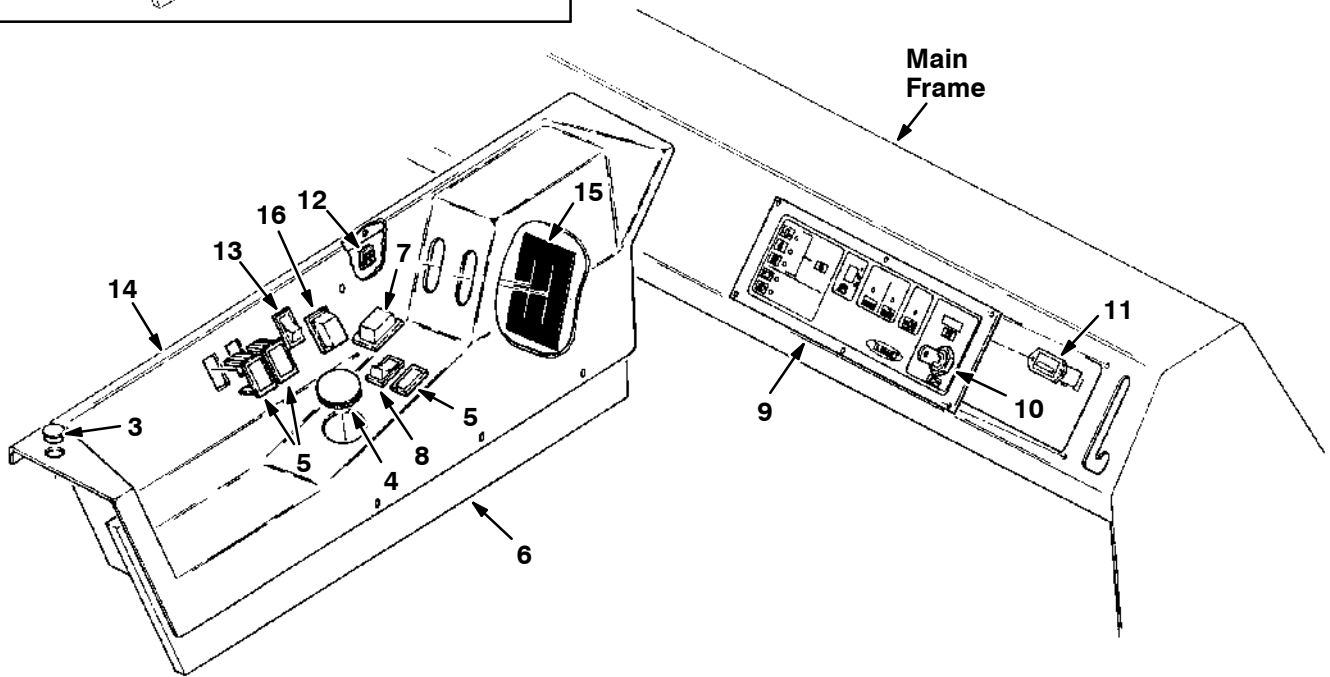
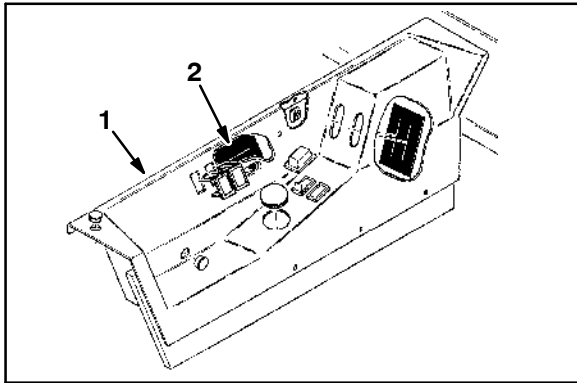


Fig. 19 – Instrument and Control Panels Group

04481

Key	TENNANT Part No.	Machine Serial Number	Description	Qty.
1	07663	(010001–010749)	Panel, Control	1
2	82299	(010001–010749)	Seal, Control Panel	2
3	82727	(010001–)	Plugbutton	1
4	82747	(010001–)	Plugbutton	1
5	57772	(010001–)	Plate, Cover	3
6	07642	(010001–)	Foam, Acoustic	1
7	57807	(010001–)	Seal, Rocker Switch	1
8	81458	(010001–)	Switch, Rocker, SPST	1
9	10862	(010001–010265)	Electronic Instrument Panel Assembly	1
9	12940	(010266–)	Electronic Instrument Panel Assembly	1
10	10889	(010001–010040)	Switch, Ignition	1
10	10891	(010041–)	Switch, Ignition	1
	87865	(010001–)	Keys, Ignition	2
11	10877	(010001–)	Meter, Hour	1
12	61110	(010001–)	Nut, U–Type Retainer	4
13	30400	(010750–)	Switch, Rocker DPDT	1
14	30286	(010750–)	Panel, Control	1
15	82299	(010750–)	Seal, Control Panel	1
16	57807	(010750–)	Seal, Rocker Switch	1

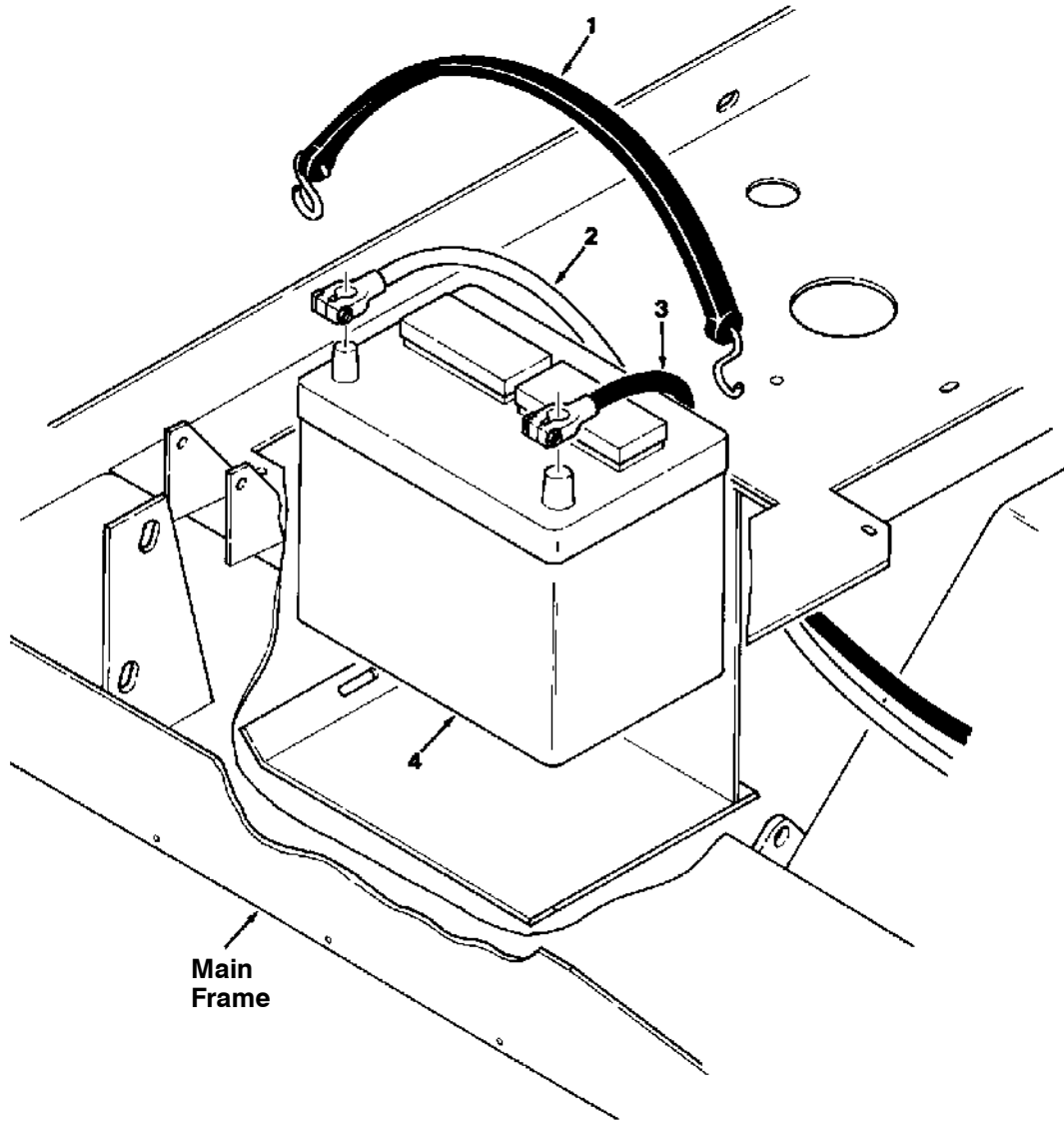
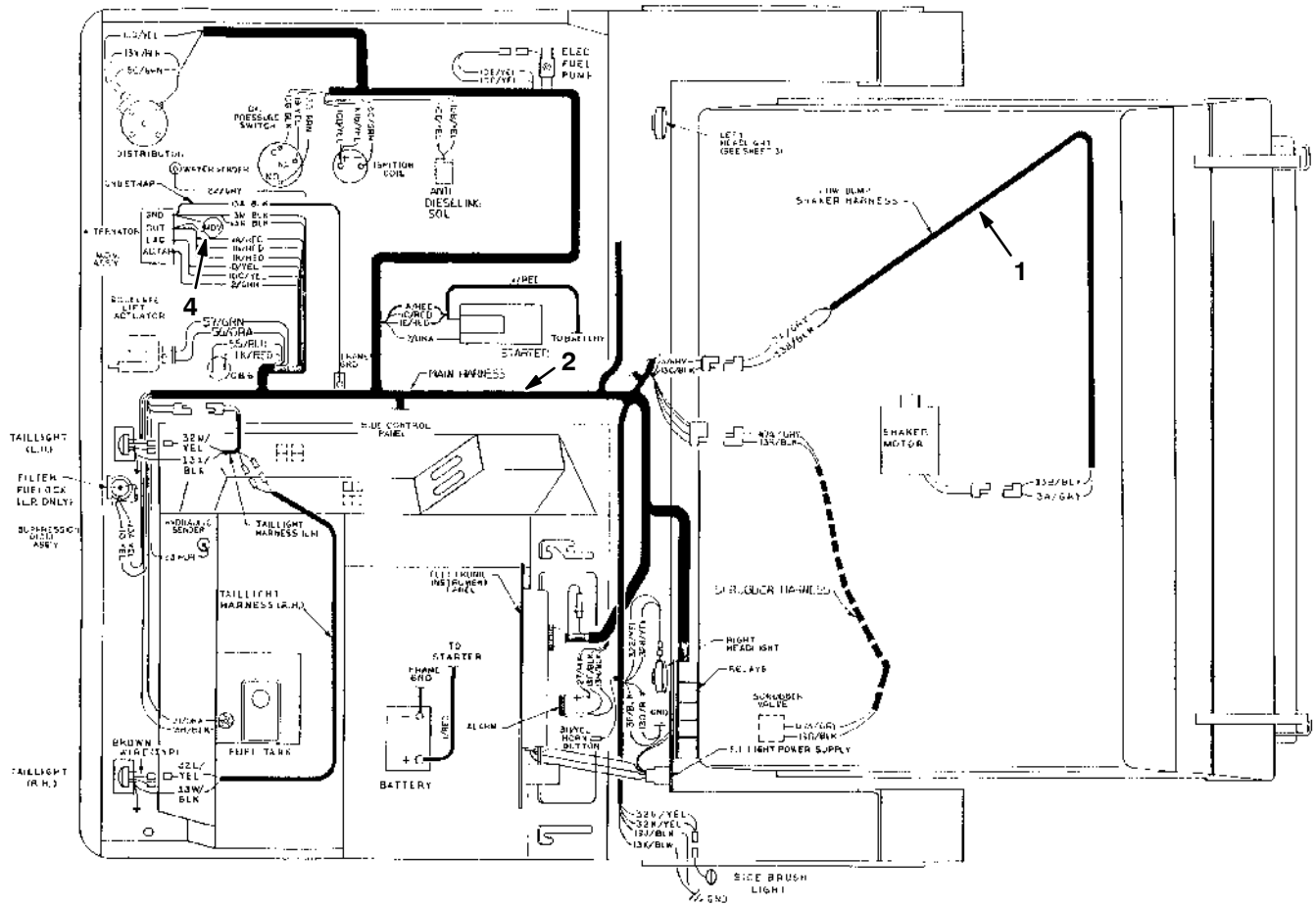


Fig. 20 – Battery Group

04482

Key	TENNANT Part No.	Machine Serial Number	Description	Qty.
1	33671	(010001 –)	Strap, Rubber Tie-Down	1
2	82708	(010001-010749)	Cable, Positive Battery	1
2	57778	(010750 –)	Cable, Positive Battery	1
3	82709	(010001 –)	Cable, Negative Battery	1
4	10143	(010001 –)	Battery, 540 CCA	1



CONTROL PANEL OPTIONS

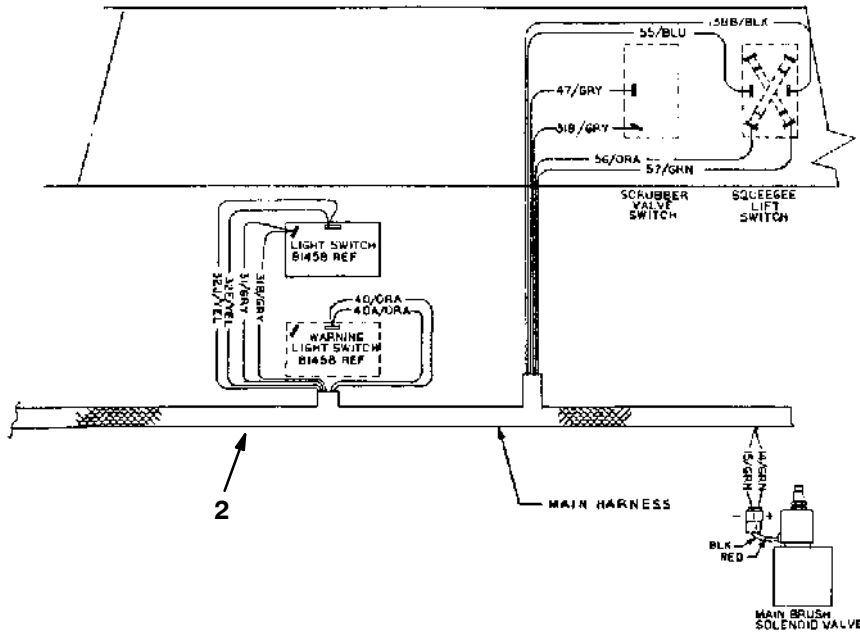


Fig. 21 – Wire Harnesses Group

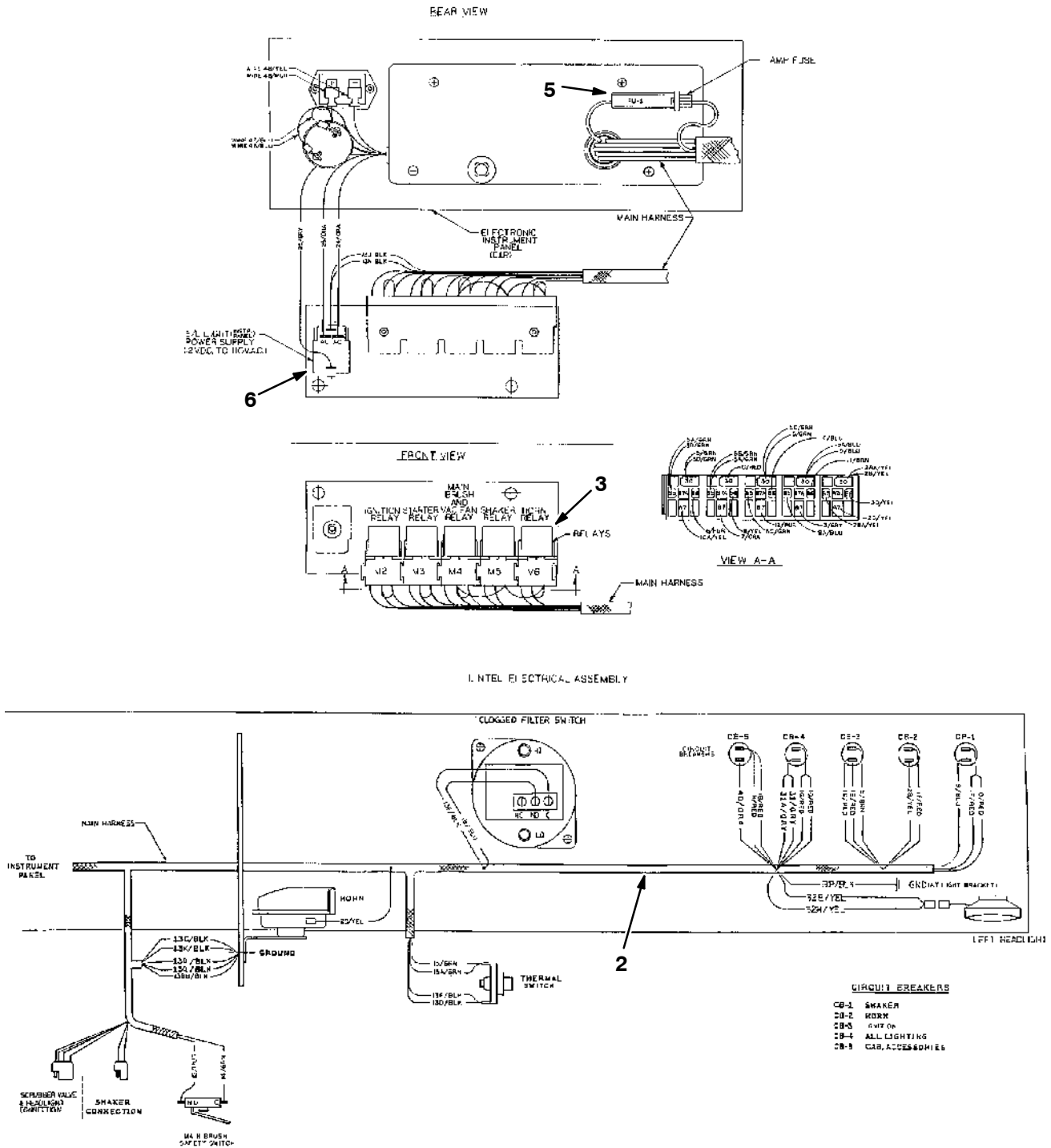


Fig. 21 – Wire Harnesses Group

04541

Key	TENNANT Part No.	Machine Serial Number	Description	Qty.
1	82723	(010001–)	Wire Harness, Shaker	1
2	10859	(010001–010749)	Wire Harness, Main	1
2	30289	(010750–)	Wire Harness, Main	1
3	10865	(010001–)	Relay, Electrical	5
4	10868	(010001–)	Varistor Assembly	1
5	59984	(010001–)	Fuse	1
6	10880	(010001–)	Inverter Assembly	1
	30275	(010750–)	Wire Harness, Engine	1

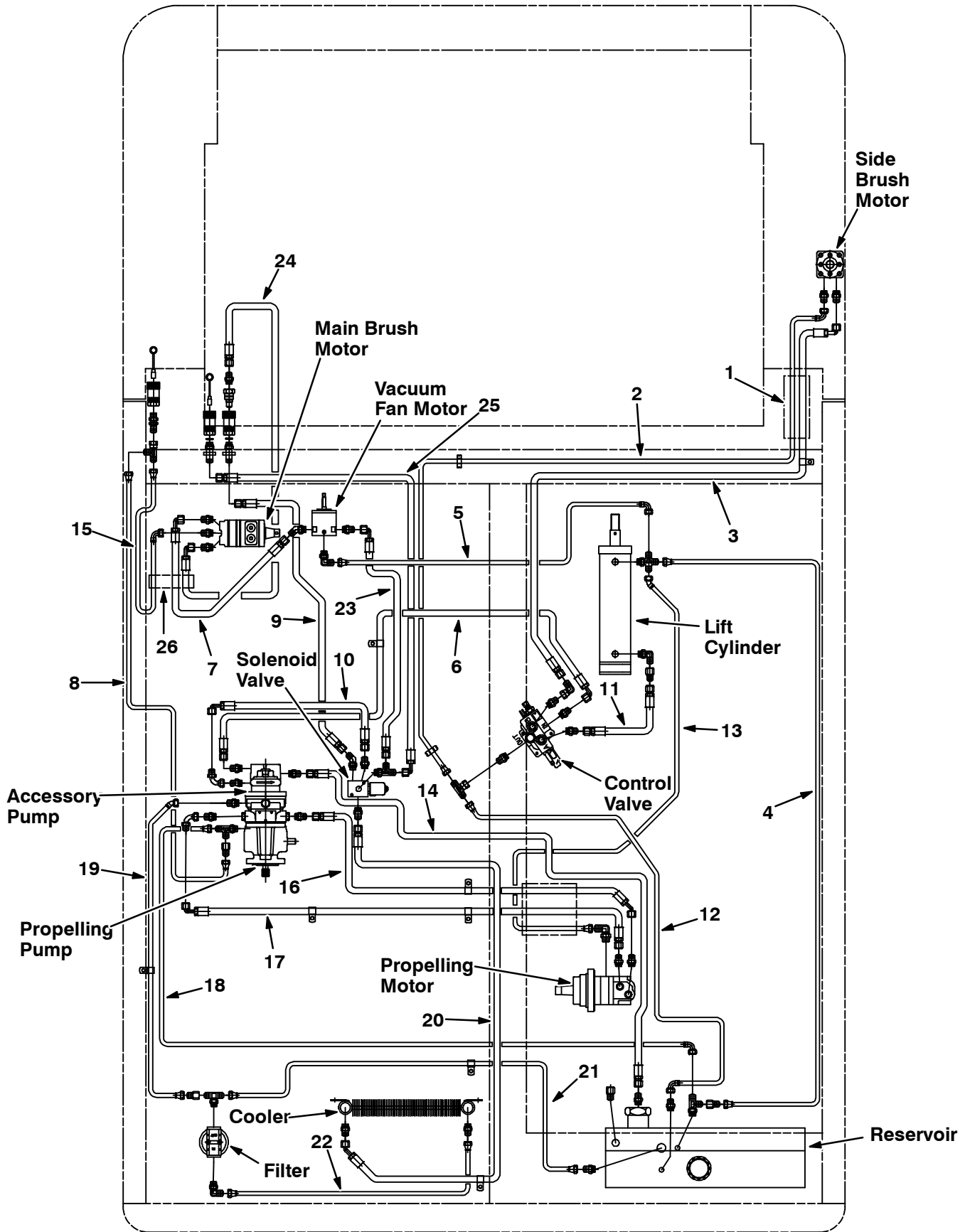


Fig. 22 – Hydraulic Hoses Group

Fig. 22 – Hydraulic Hoses Group

Key	TENNANT Part No.	Machine Serial Number	Description	Qty.
1	82833	(010001 –)	Sleeve, Nylon	1
2	82810	(010001 –)	Hose, Hydraulic	1
3	82819	(010001 –)	Hose, Hydraulic	1
4	82803	(010001 –)	Hose, Hydraulic	1
5	82805	(010001 –)	Hose, Hydraulic	1
6	57582	(010001 –)	Hose, Hydraulic	1
7	02675	(010001 –)	Hose, Hydraulic	1
8	32550	(010001 –)	Hose, Hydraulic	1
9	02999	(010001 –)	Hose, Hydraulic	1
10	82822	(010001 –)	Hose, Hydraulic	1
11	82814	(010001 –)	Hose, Hydraulic	1
12	82809	(010001 –)	Hose, Hydraulic	1
13	82804	(010001 –)	Hose, Hydraulic	1
14	82046	(010001 –)	Hose, Hydraulic	1
15	82806	(010001 –)	Hose, Hydraulic	1
16	82823	(010001 –)	Hose, Hydraulic	1
17	82826	(010001 –)	Hose, Hydraulic	1
18	02683	(010001 –)	Hose, Hydraulic	1
19	02684	(010001 –)	Hose, Hydraulic	1
20	82821	(010001 –)	Hose, Hydraulic	1
21	02685	(010001 –)	Hose, Hydraulic	1
22	57568	(010001 –)	Hose, Hydraulic	1
23	82840	(010001 – 010749)	Hose, Hydraulic	1
23	19636	(010750 –)	Hose, Hydraulic	1
24	02676	(010001 –)	Hose, Hydraulic	1
25	03001	(010001 –)	Hose, Hydraulic	1
26	82830	(010001 –)	Sleeve, Nylon	1

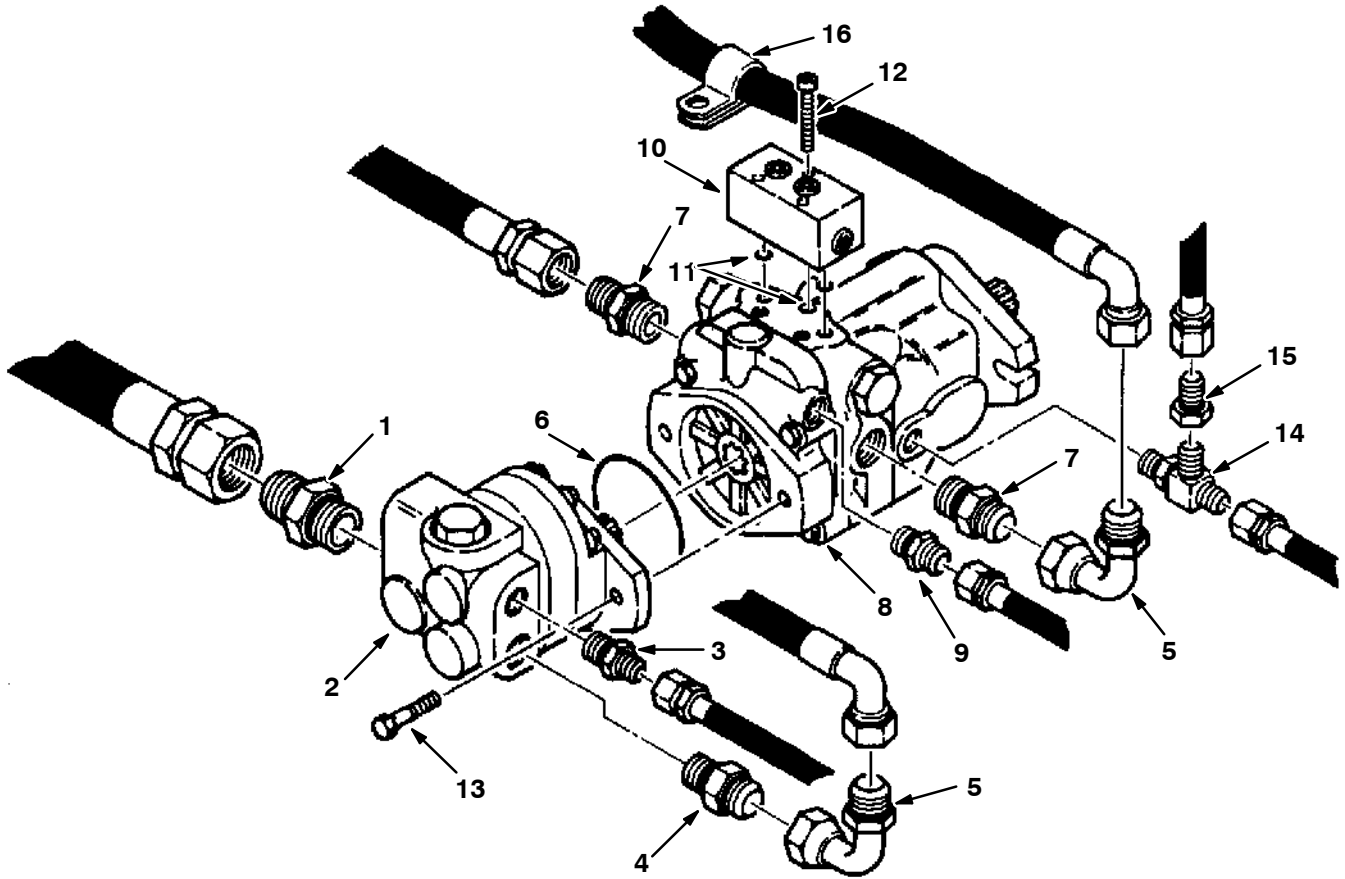


Fig. 23 – Hydraulic Pumps Group

04542

Key	TENNANT Part No.	Machine Serial Number	Description	Qty.
1	52929	(010001-)	Fitting, Straight	1
2	82205	(010001-)	Pump, Hydraulic (See Hydraulic Components)	1
3	55686	(010001-)	Fitting, Straight	1
4	06750	(010001-)	Fitting, Straight	1
5	57994	(010001-)	Fitting, Elbow	2
6	65145-1	(010001-)	O-Ring	
7	42260	(010001-)	Fitting, Straight	2
8	02704	(010001-)	Pump, Hydraulic (See Hydraulic Components)	1
9	44869	(010001-)	Fitting, Straight	1
10	82767	(010001-)	Valve, Hydraulic	1
11	58395	(010001-)	O-Ring	
12	82764	(010001-)	Screw, Socket	3
13	82842	(010001-)	Screw, Hex, Nylon	2
14	76316	(010001-)	Fitting, Tee	1
15	47752	(010001-)	Fitting, Straight	1
16	58366	(010001-)	Clamp, Support	1

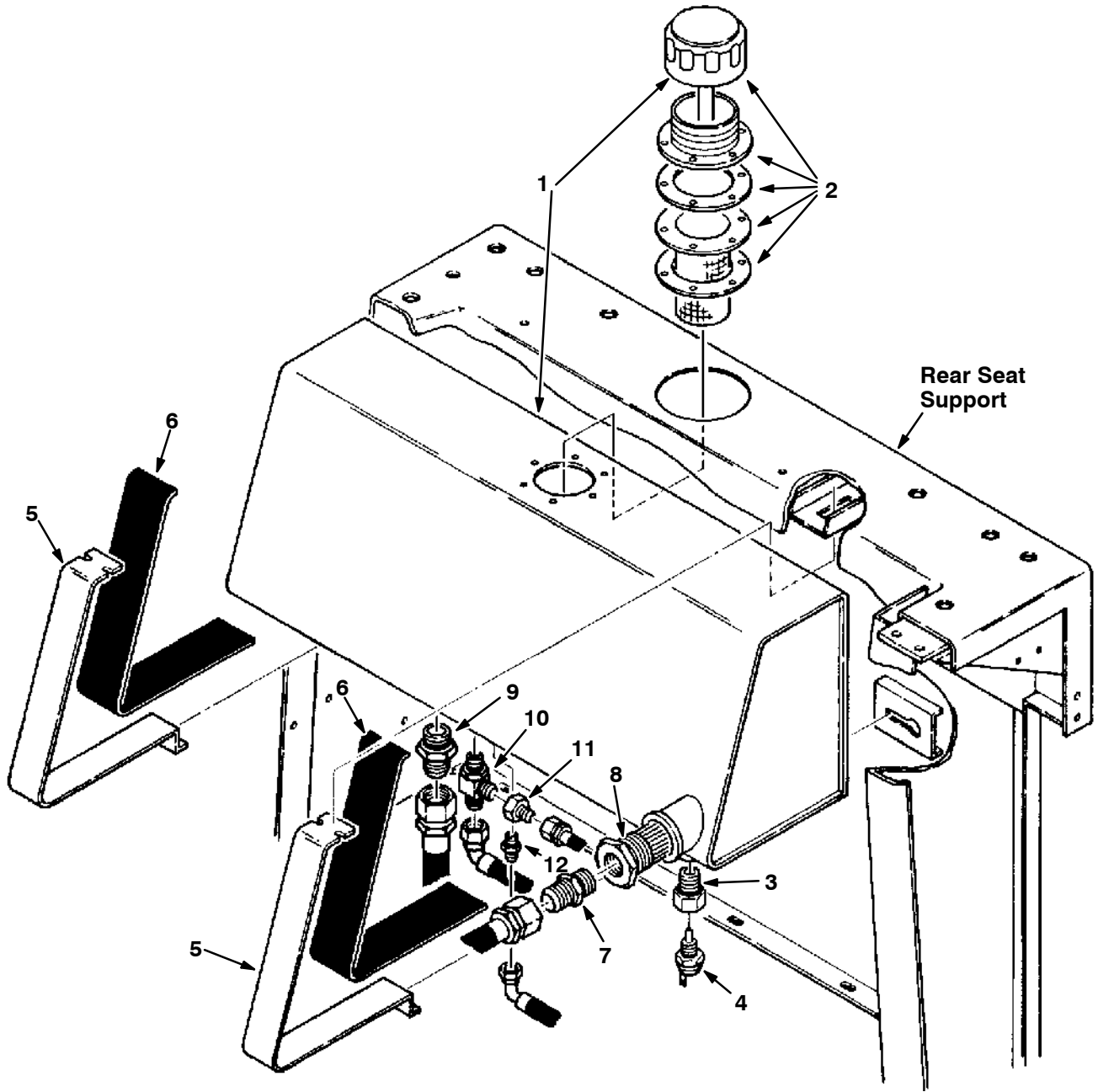


Fig. 24 – Hydraulic Reservoir Group

04524

Key	TENNANT Part No.	Machine Serial Number	Description	Qty.
1	82838	(010001–)	Reservoir Assembly, Hydraulic	1
2	82780	(010001–)	Breather, Filler	1
3	47636	(010001–)	Fitting, Straight	1
4	25314	(010001–)	Switch, Temperature	1
5	82779	(010001–)	Strap, Retaining	2
6	82837	(010001–)	Strap, Isolator	2
7	52929	(010001–)	Fitting, Straight	1
8	82784	(010001–)	Strainer, Suction	1
9	42260	(010001–)	Fitting, Straight	1
10	76316	(010001–)	Fitting, Straight	1
11	47752	(010001–)	Fitting, Straight	1
12	56690	(010001–)	Fitting, Straight	1

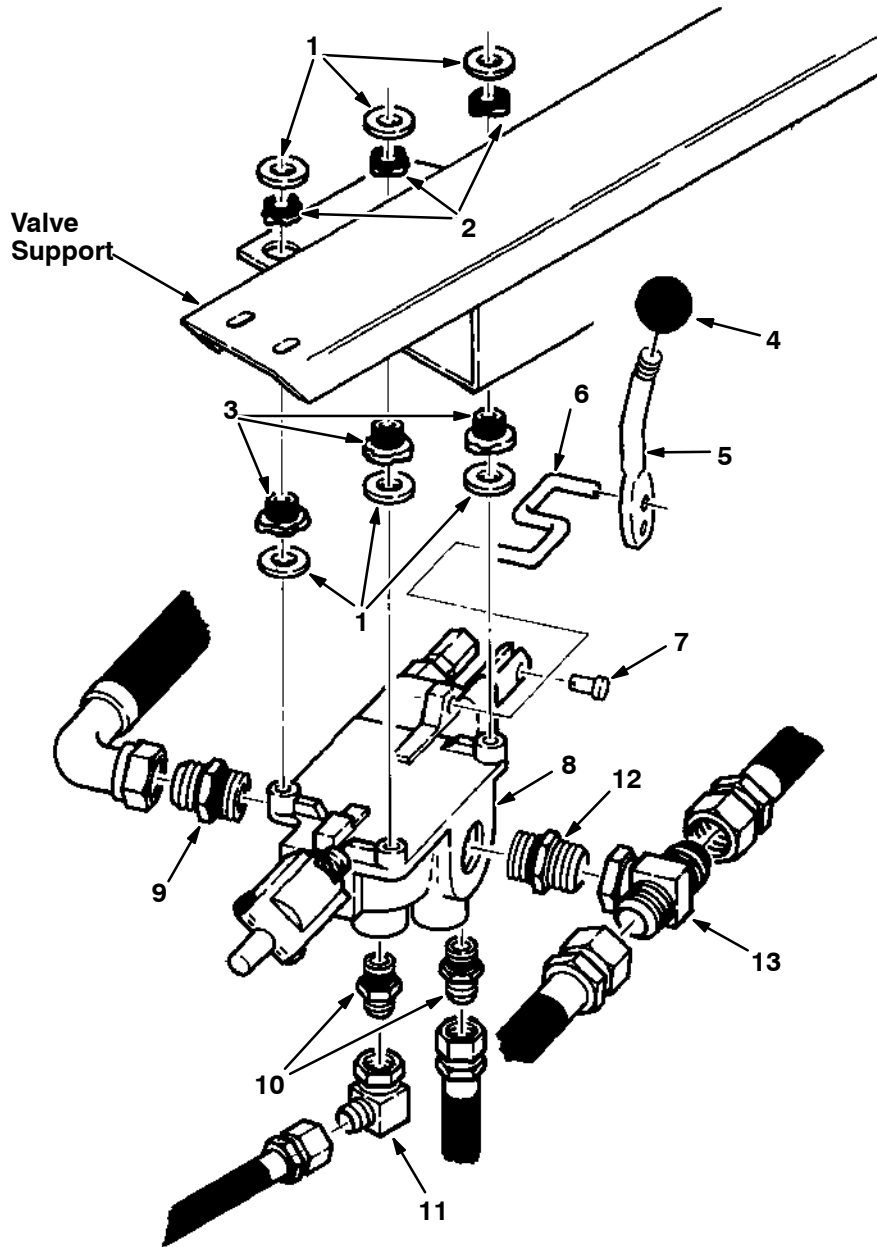


Fig. 25 -- Hydraulic Control Valve Group

04545

Key	TENNANT Part No.	Machine Serial Number	Description	Qty.
1	30013	(010001-)	Washer	6
2	62172	(010001-)	Ring	3
3	62173	(010001-)	Bushing, Isolator	3
4	26156	(010001-)	Knob	1
5	02687	(010001-)	Handle, Valve Control	1
6	82762	(010001-)	Link, S	1
7	14605	(010001-)	Pin, Clevis	1
8	62550	(010001-)	Valve, Hydraulic (See Hydraulic Components)	1
9	57984	(010001-)	Fitting, Straight	1
10	55686	(010001-)	Fitting, Straight	2
11	39210	(010001-)	Fitting, Elbow	1
12	47508	(010001-)	Fitting, Straight	1
13	35586	(010001-)	Fitting, Tee	1

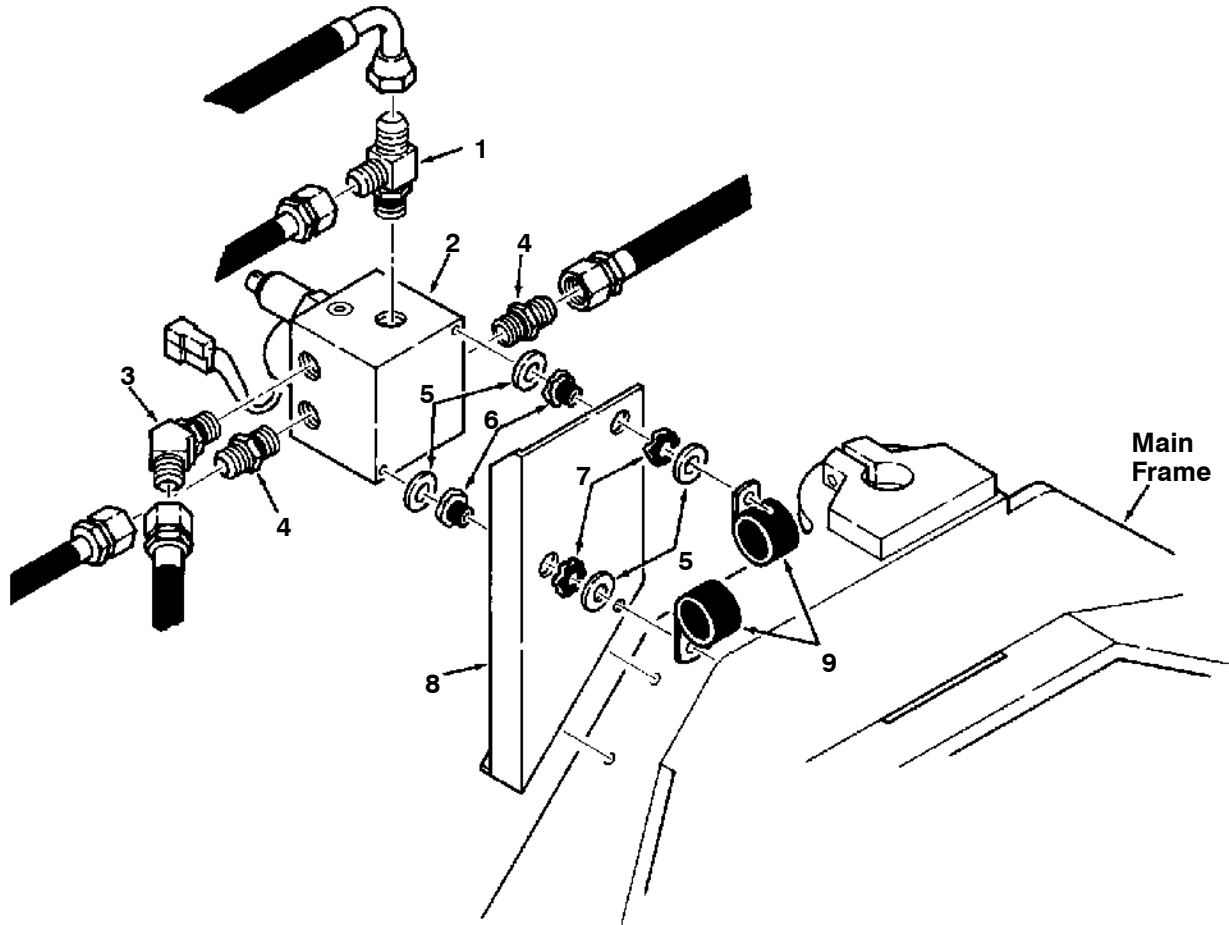


Fig. 26 – Hydraulic Solenoid Valve Group

04547

Key	TENNANT Part No.	Machine Serial Number	Description	Qty.
1	40755	(010001–)	Fitting, Tee	1
2	82754	(010001–)	Valve, Hydraulic Solenoid (See Hyd. Components)	1
3	42226	(010001–)	Fitting, Elbow, 45°	1
4	62390	(010001–)	Fitting, Straight	2
5	30013	(010001–)	Washer	4
6	62173	(010001–)	Bushing, Isolator	2
7	62172	(010001–)	Ring	2
8	82795	(010001–)	Bracket, Solenoid Valve	1
9	58366	(010001–)	Clamp, Support	2

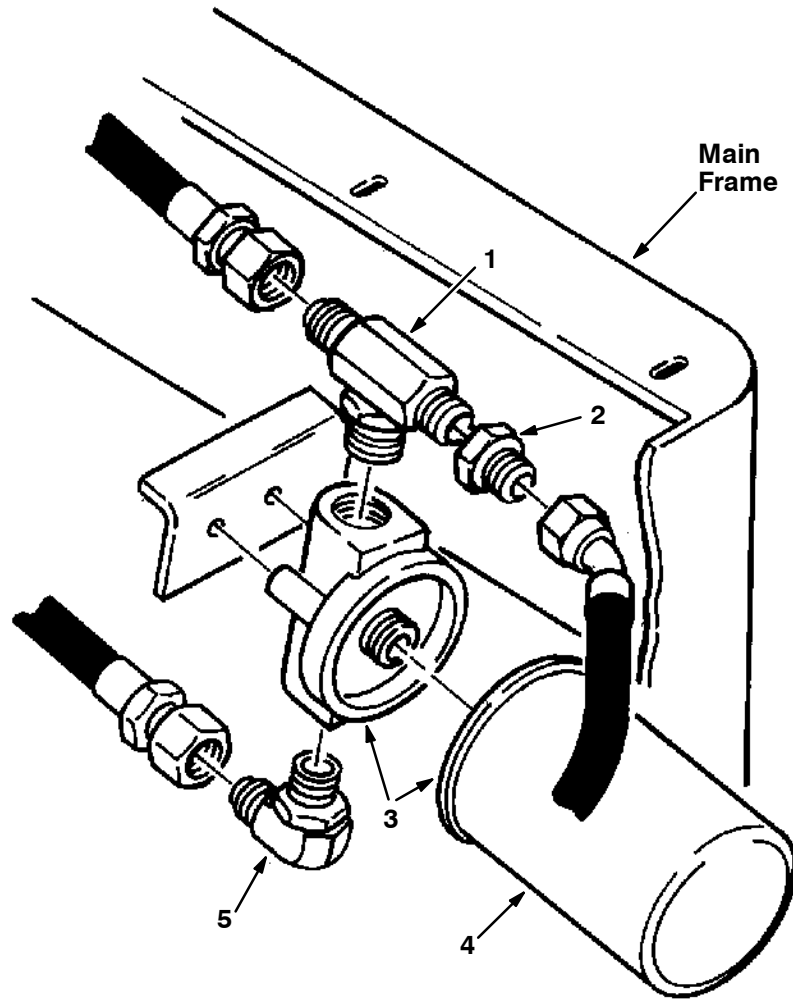


Fig. 27 – Hydraulic Filter Group

04548

Key	TENNANT® Part No.	Machine Serial Number	Description	Qty.
1	02686	(010001–)	Fitting, Tee	1
2	78143	(010001–)	Fitting, Straight	1
3	55619	(010001–)	Filter Assembly	1
4	55740	(010001–)	Element, Filter	1
5	46481	(010001–)	Fitting, Elbow	1

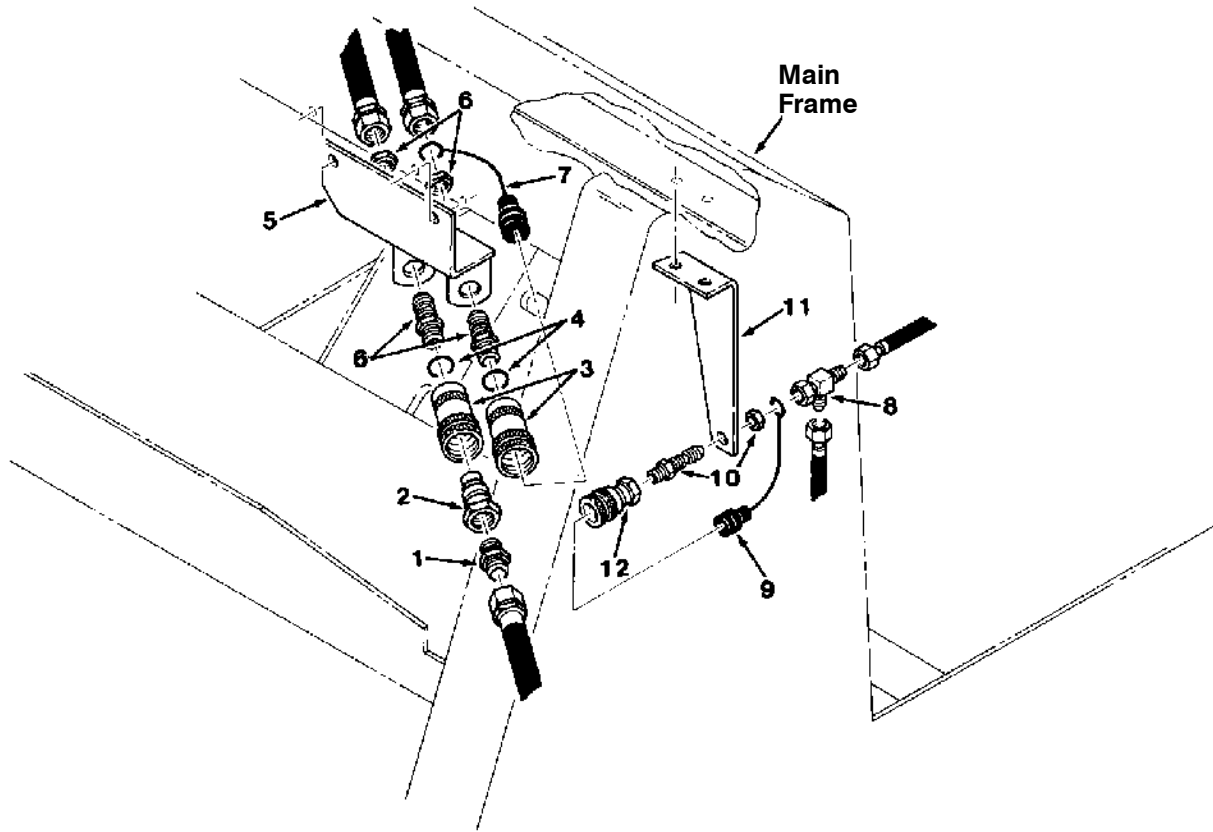


Fig. 28 – Hydraulic Couplings Group

04550

Key	TENNANT® Part No.	Machine Serial Number	Description	Qty.
1	44869	(010001-)	Fitting, Straight	1
2	65084-1	(010001-)	Fitting, Coupling Half, Male	1
3	65084-2	(010001-)	Fitting, Coupling Half, Female	2
4	77006	(010001-)	Seal, O-Ring	2
5	03004	(010001-)	Bracket, Scrubber	1
6	82918	(010001-)	Fitting, Straight	2
7	82620	(010001-)	Plug, Dust	1
8	57988	(010001-)	Fitting, Tee	1
9	33797	(010001-)	Plug, Dust	1
10	82621	(010001-)	Fitting, Straight	1
11	03006	(010001-)	Bracket, Scrubber Case Drain	1
12	34414	(010001-)	Fitting, Coupling Half, Female	1

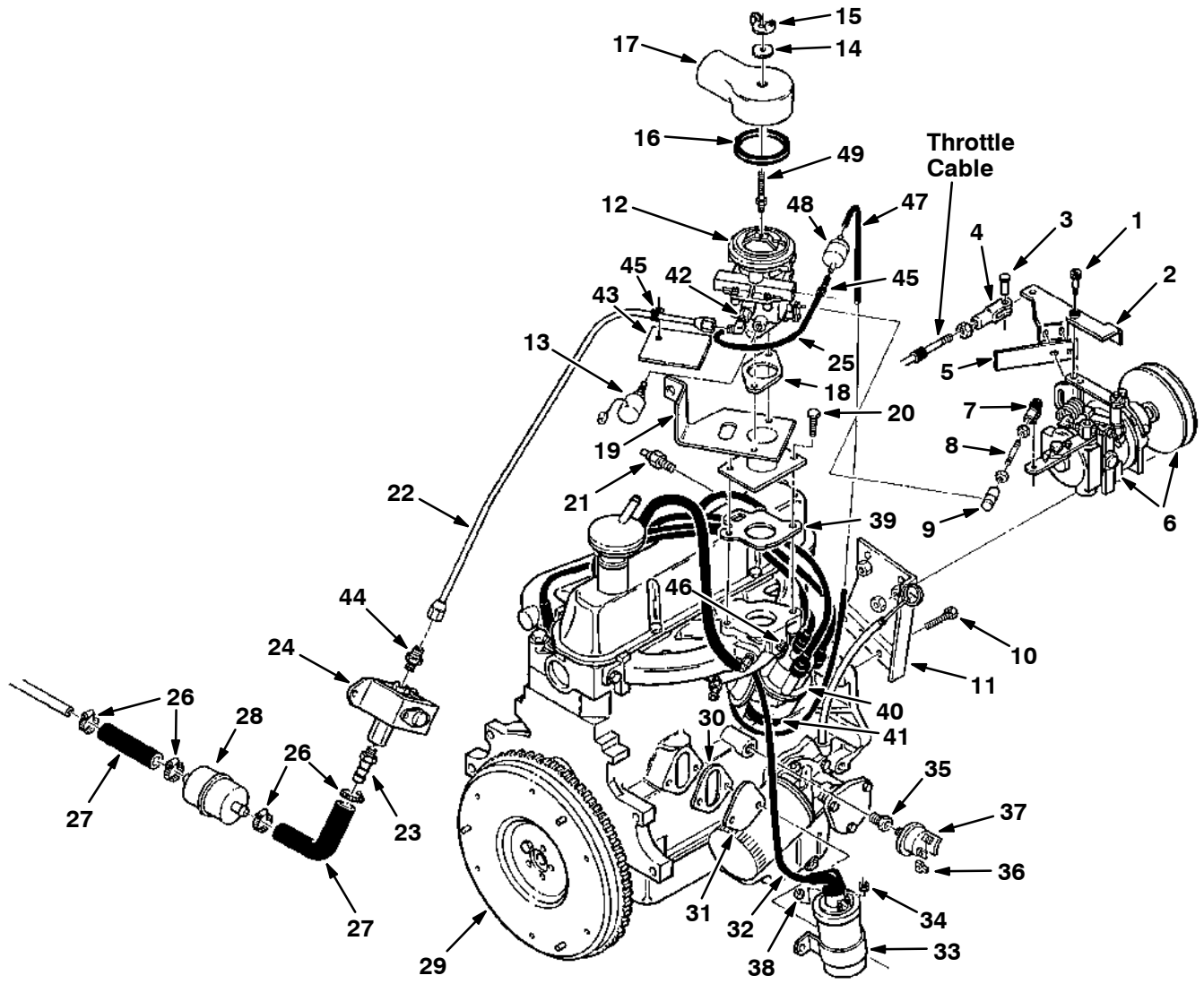


Fig. 29 – Engine Group

Fig. 29 -- Engine Group

Key	TENNANT® Part No.	Machine Serial Number	Description	Qty.
1	40823	(010001-010749)	Screw, Shoulder	1
2	03189	(010001-010749)	Arm, Governor	1
3	14605	(010001-010749)	Pin, Clevis	1
4	14595-1	(010001-010749)	Clevis, Adjustable	1
5	57392	(010001-010749)	Spring, Flat	1
6	03152	(010001-010749)	Governor, Mechanical	1
7	14601	(010001-010749)	Ball Joint	1
8	07586	(010001-010749)	Stud	1
9	50332-1	(010001-010749)	Ball Joint	1
10	39284	(010001-010749)	Screw, Hex, M10	2
11	07009	(010001-010749)	Bracket, Governor	1
12	07341	(010001-010749)	Carburetor	1
	02738	(010001-010749)	Repair Kit, Carburetor	1
13	07700	(010001-010749)	Anti-Dieseling Valve	1
14	07251	(010001-010749)	Washer, Sealing	1
15	07252	(010001-010749)	Nut, Air Horn Wing	1
16	16738	(010001-010749)	Gasket, Air Horn	1
17	57934	(010001-010749)	Adaptor, Carburetor	1
18	54912-8	(010001-010749)	Gasket, Carburetor	1
19	07212	(010001-010749)	Facet, Carburetor Mount	1
20	16931	(010001-010749)	Screw, Hex, M 8	1
21	58592	(010001-010749)	Sender, Water Temperature	1
22	57774	(010001-010749)	Line Assembly, Fuel	1
23	82544	(010001-010749)	Fitting, Straight	1
24	54230	(010001-010749)	Pump, Fuel	1
25	09893	(010001-010749)	Hose	1
26	43844	(010001-010749)	Clamp, Worm Drive	4
27	82526	(010001-010749)	Hose, Fuel Line	2
28	82525	(010001-010749)	Filter, Fuel	1
29	07491	(010001-010749)	Engine	1
30	02887	(010001-010749)	Gasket, Fuel Pump	1
31	54911-28	(010001-010749)	Cover, Fuel Pump	1
32	54911-31	(010001-010749)	Wire, High Tension	1
33	03194	(010001-010749)	Coil Assembly	1
34	41359	(010001-010749)	Nut, Hex, M 6	1
35	17414	(010001-010749)	Fitting, Straight	1
36	68106	(010001-010749)	Tab, Terminal	3
37	51805	(010001-010749)	Switch, Oil Pressure	1
38	50335	(010001-010749)	Nut, Hex, M5	1
39	07105	(010001-010749)	Gasket, Carburetor	1
40	07328	(010001-010749)	Filter, Distributor Cap	1
41	07329	(010001-010749)	Filter, Distributor	1
42	06507	(010001-010749)	Fitting, Elbow	1
43	82534	(010001-010749)	Shield, Drip	1
44	22383	(010001-010749)	Fitting, Straight	1
45	46236	(010001-010749)	Clamp, Cable	2
46	02247	(010001-010749)	Plug	1
47	07464	(010001-010749)	Hose, Vacuum	1
48	07492	(010001-010749)	Check Valve	1
49	07250	(010001-010749)	Stud, Air Horn	1

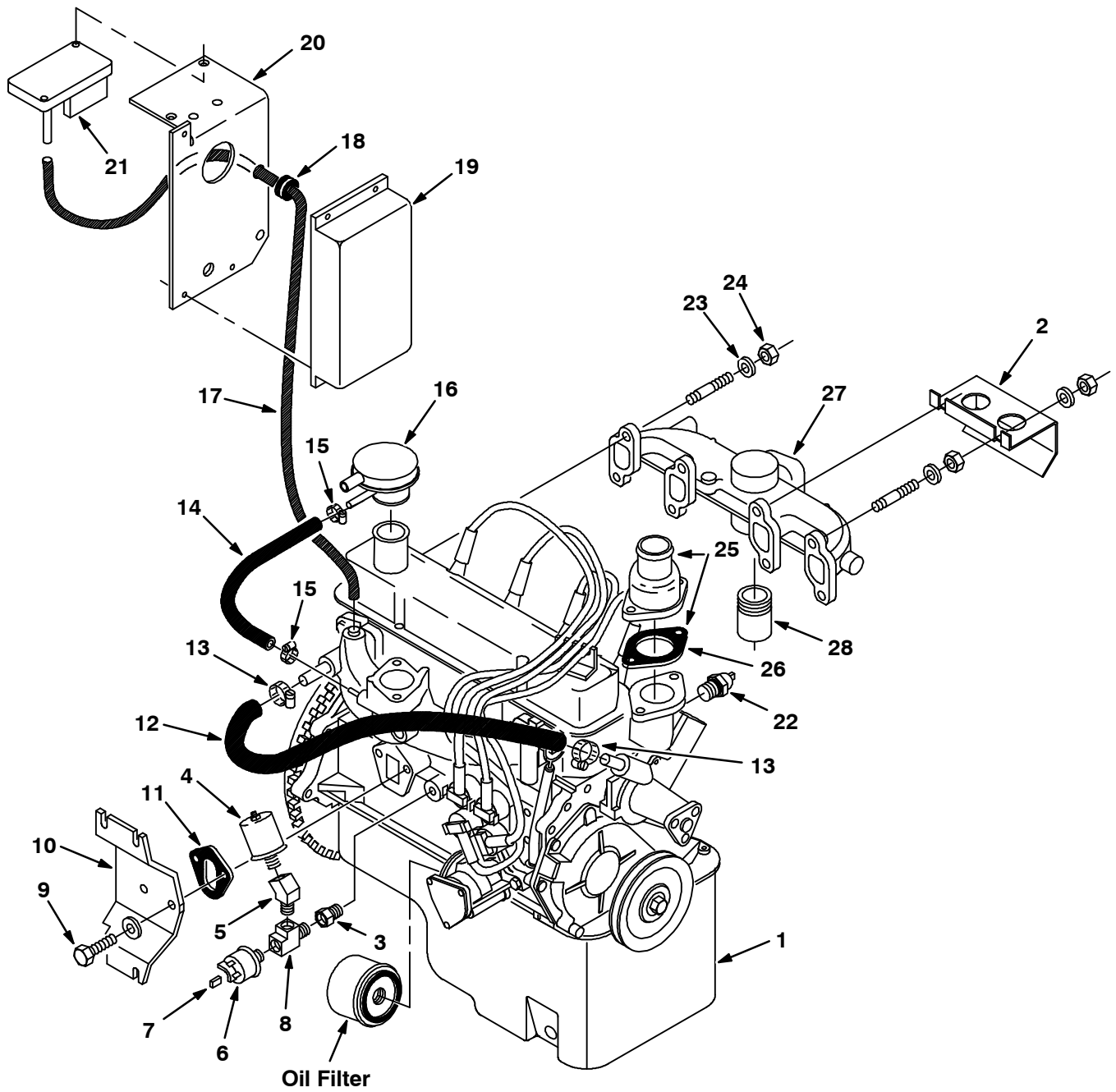


Fig. 30 – Engine Group, Distributorless (DIS)

Fig. 30 – Engine Group, Distributorless (DIS)

Key	TENNANT Part No.	Machine Serial Number	Description	Qty.
1	30296	(010750–)	Engine Assembly	1
2	30468	(010802–)	Shield, Exhaust Manifold	1
3	17414	(010750–)	Fitting, Straight	1
4	30316	(010750–)	Manifold, Exhaust	1
5	24013	(010750–)	Fitting, Nipple	1
6	51805	(010750–)	Switch, Oil Pressure	1
7	68106	(010750–)	Terminal Tab	3
8	58592	(010750–)	Temperature Sender, Water	1
9	16735	(010750–)	Screw, Hex, M8	2
10	31516	(010750–)	Bracket, Actuator	1
11	02887	(010750–)	Gasket, Fuel Pump	1
12	31543	(010750–)	Hose, Heater	1
13	63810	(010750–)	Clamp, Worm Drive	2
14	76589–2	(010750–)	Hose	1
15	54333	(010750–)	Clamp, Worm drive	2
16	30306	(010750–)	Oil Filler Cap Assembly	1
17	34072	(010750–)	Hose, Vacuum	1
18	10632–11	(010750–)	Grommet	1
19	30377	(010750–)	Control Box	1
20	30393	(010750–)	Bracket, Governor Control	1
21	30305	(010750–)	Ignition Control Assembly	1
22	39349	(010750–)	Washer	8
23	08165	(010750–)	Nut Hex, M8	8
24	19689	(010750–)	Housing, Thermostat	1
25	54911–25	(010750–)	Gasket, Thermostat	1

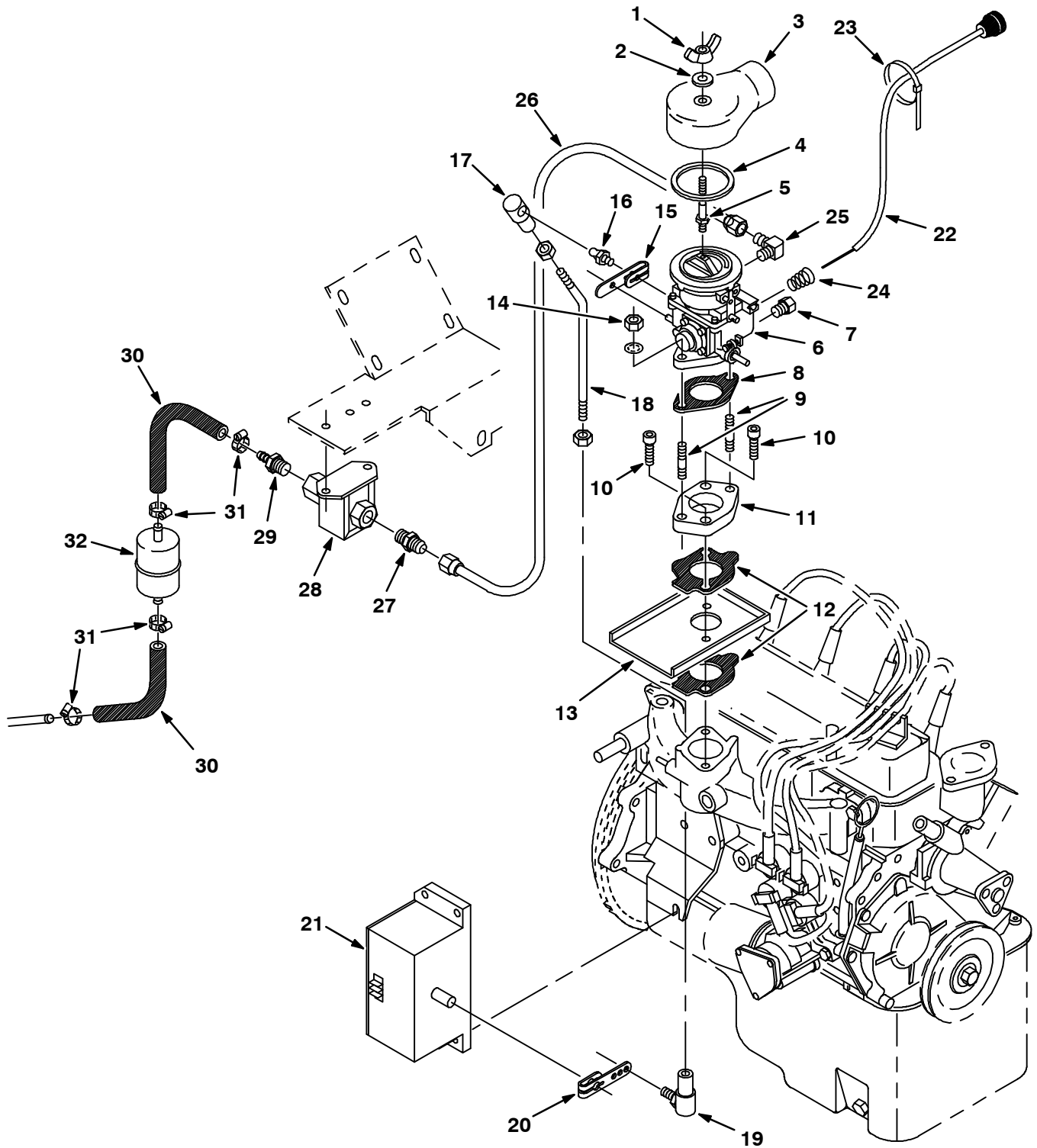


Fig. 31 – Carburetor Group, Distributorless (DIS)

Fig. 31 – Carburetor Group, Distributorless (DIS)

Key	TENNANT Part No.	Machine Serial Number	Description	Qty.
1	07252	(010750–)	Wingnut, Air Horn	1
2	07251	(010750–)	Washer, Rubber	1
3	57934	(010750–)	Adaptor, Carburetor	1
4	16738	(010750–)	Gasket, Carburetor Air Horn	1
5	07250	(010750–)	Stud, Air Horn	1
6	30321	(010750–)	Carburetor, Facet	1
	02738	(010750–)	Repair Kit, Carburetor	1
7	30325	(010750–)	Plug, Carburetor	1
8	31542	(010750–)	Gasket, Carburetor	1
9	30324	(010750–)	Stud, M8	2
10	06532	(010750–)	Screw, Socket, M6	2
11	31728	(010750–)	Plate, Mounting	1
12	30312	(010750–)	Gasket, Carburetor	2
13	31550	(010750–)	Shield, Drip	1
14	39311	(010750–)	Nut, Hex, M8	2
15	30451	(010750–)	Lever, Carburetor	1
16	50332–2	(010750–)	Ball Joint, Stud	1
17	50332	(010750–)	Ball Joint	1
18	30320	(010750–)	Rod, Control, Throttle	1
19	14601	(010750–)	Ball Joint	1
20	30318	(010750–)	Lever, Governor	1
21	07539	(010750–)	Actuator, Governor	1
22	30274	(010750–)	Cable, Choke	1
23	49266	(010750–)	Tie, Cable	1
24	58846	(010750–)	Spring, Compression	1
25	06507	(010750–)	Fitting, Elbow	1
26	57774	(010750–)	Fuel Line Assembly	1
27	22383	(010750–)	Fitting, Straight	1
28	19171	(010750–)	Pump, Fuel	1
29	82544	(010750–)	Fitting, Straight	1
30	82526	(010750–)	Hose, Fuel Line	2
31	43844	(010750–)	Clamp, Worm Drive	4
32	82525	(010750–)	Filter, Fuel	1

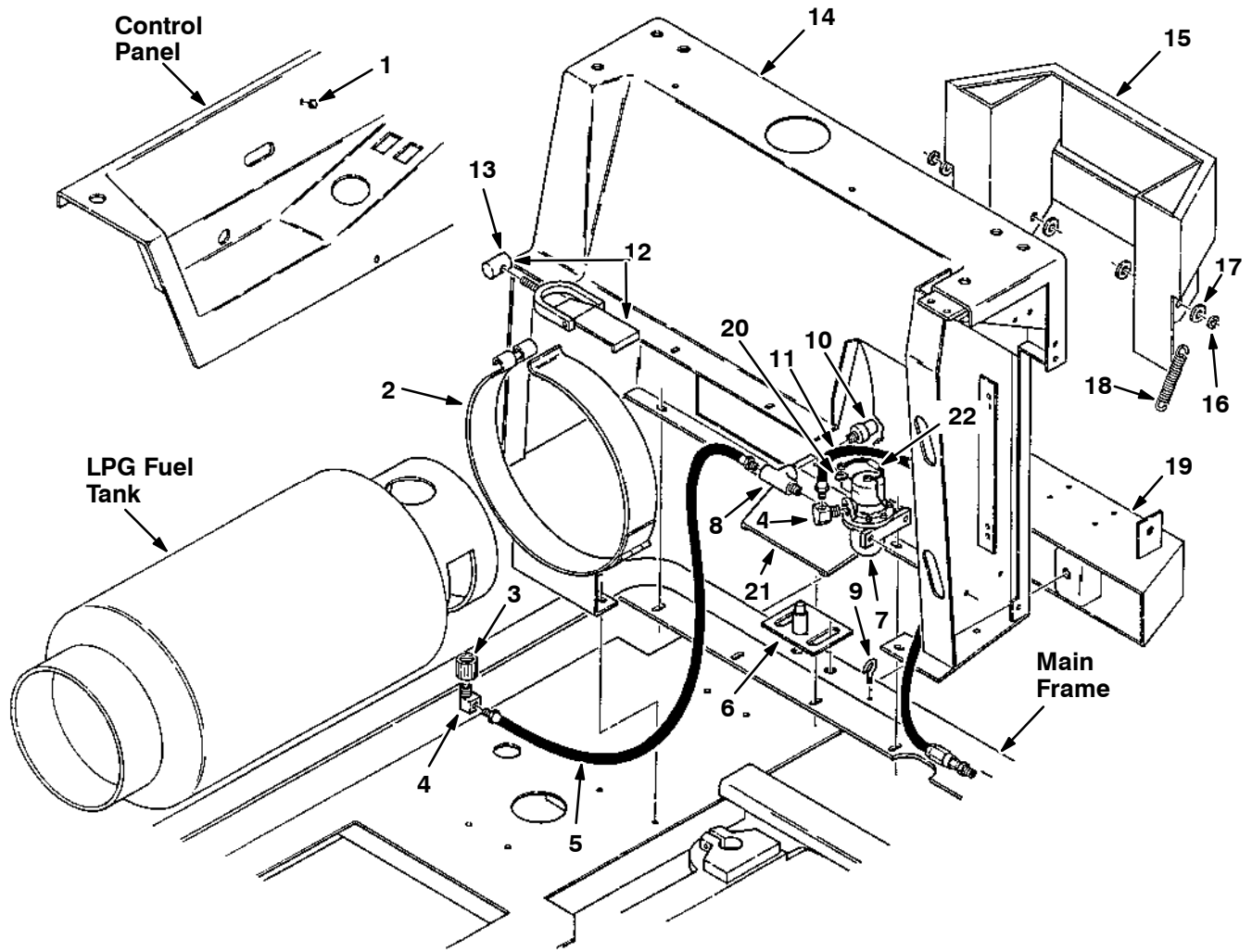


Fig. 32 – Fuel Tank Bumper Group, LPG

Fig. 32 – Fuel Tank Bumper Group, LPG

Key	TENNANT® Part No.	Machine Serial Number	Description	Qty.
1	47178-11	(010001-010749)	Plugbutton	1
2	55653	(010001-010749)	Bracket, Tank Mounting, LPG	1
3	26496	(010001-010749)	Coupling, LPG	1
4	27048	(010001-010749)	Fitting, Elbow	2
5	22308-3	(010001-010749)	Hose, LPG	1
6	55556	(010001-010749)	Bracket, Stud Adjusting	1
7	33555	(010001-010749)	Fuel Filter Lock	1
	SK1444	(010001-010749)	Repair Kit, Fuel Filter Lock	1
8	56976A	(010001-010749)	Fitting, Tee	1
9	11893	(010001-010749)	Bolt, Eye	1
10	24047	(010001-010749)	Valve, Pressure Relief	1
11	07302	(010001-010749)	Hose, LPG	1
12	53400-1	(010001-010749)	Latch	1
13	53400-4	(010001-010749)	Lug	1
14	82340	(010001-010749)	Support, Seat Rear, LPG	1
15	55633	(010001-010749)	Bumper, LPG	1
16	46231	(010001-010749)	Sleeve	2
17	20536-1	(010001-010749)	Washer, Nylon	4
18	29499	(010001-010749)	Spring, Tension	1
19	82180	(010001-010749)	Bumper, LPG	1
20	68106	(010001-010749)	Tab, Terminal	1
21	02696	(010001-010749)	Shield, Fuel Line, LPG	1
22	10874	(010001-010749)	Suppression Diode Assembly	1

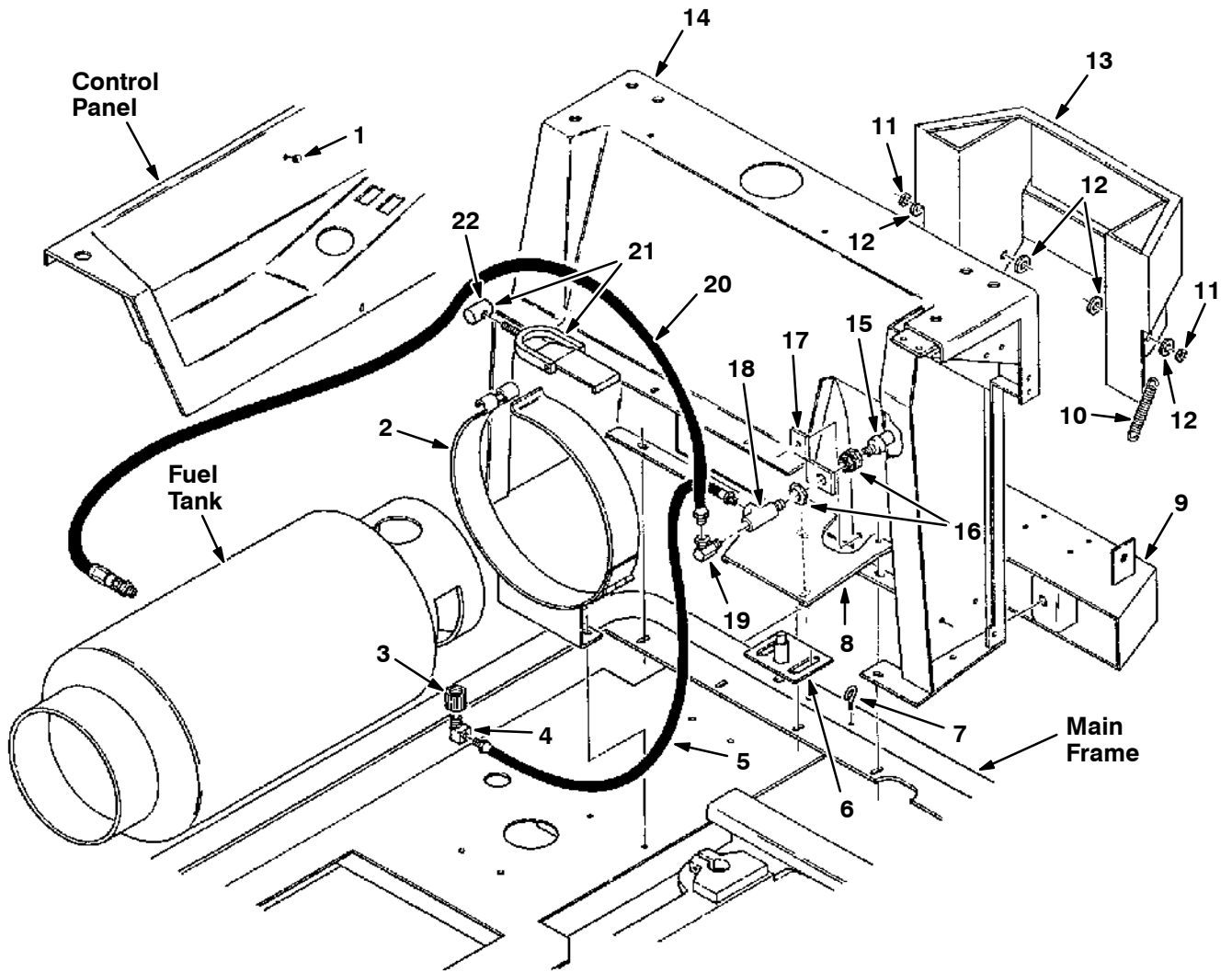


Fig. 33 – Fuel Tank Bumper Group, Distributorless (DIS) LPG

Fig. 33 – Fuel Tank Bumper Group, Distributorless (DIS) LPG

Key	TENNANT® Part No.	Machine Serial Number	Description	Qty.
1	47178-11	(010750-)	Plugbutton	1
2	55653	(010750-)	Bracket, Mounting	1
3	26496	(010750-)	Coupling, LPG	1
4	27048	(010750-)	Fitting, Elbow	1
5	22308-3	(010750-)	Hose, LPG	1
6	55556	(010750-)	Bracket, Stud Adjusting	1
7	11893	(010750-)	Bolt, Eye	1
8	02696	(010750-)	Shield, Fuel Line, LPG	1
9	82180	(010750-)	Bumper Weldmt, Lp, 27	1
10	29499	(010750-)	Spring, Tension	1
11	46231	(010750-)	Sleeve	2
12	20536-1	(010750-)	Washer, Nylon	4
13	55633	(010750-)	Bumper, LPG	1
14	30375	(010750-)	Support, Rear Seat, LPG	1
15	24047	(010750-)	Valve, Pressure Relief	1
16	78122	(010750-)	Fitting, Bulkhead	1
17	30361	(010750-)	Bracket	1
18	56976A	(010750-)	Fitting, Tee	1
19	11442-1	(010750-)	Fitting, Elbow	1
20	19760	(010750-)	Hose, LPG	1
21	53400-1	(010750-)	Latch	1
22	53400-4	(010750-)	Lug	1

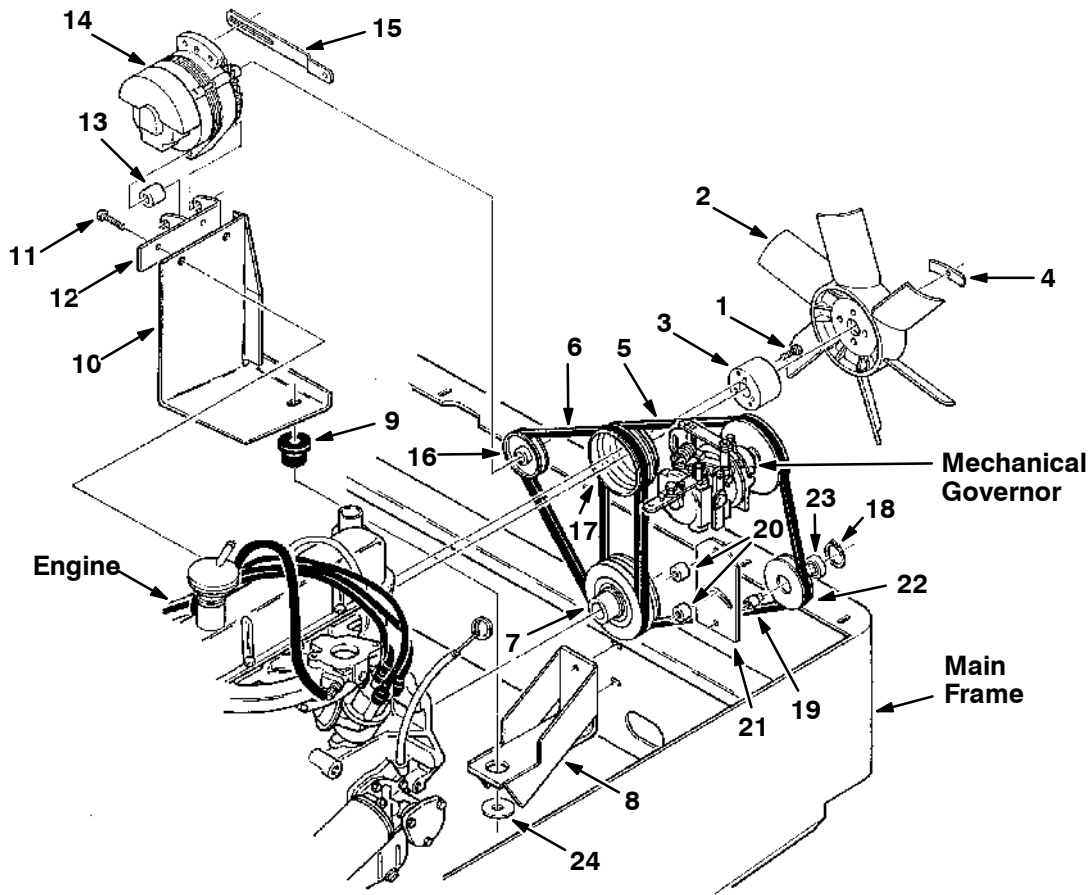


Fig. 34 – Sheaves and Belts Group

04721

Key	TENNANT® Part No.	Machine Serial Number	Description	Qty.
1	07255	(010001–010749)	Screw, Socket, M6	3
2	82537	(010001–010749)	Fan	1
3	07253	(010001–010749)	Spacer, Fan	1
4	07254	(010001–010749)	Strap, Support	1
5	17759	(010001–010749)	V–Belt	1
6	07189	(010001–010749)	V–Belt	1
7	03157	(010001–010749)	Pulley, Crankshaft	1
8	07536	(010001–010749)	Mount, Motor	1
9	51176	(010001–010749)	Dampner, Engine	1
10	03183	(010001–010749)	Mount, Front Engine	1
11	39284	(010001–010749)	Screw, Hex, M10	2
12	07128	(010001–010749)	Bracket, Alternator	1
13	54959	(010001–010749)	Spacer	1
14	03233	(010001–010749)	Alternator	1
15	07113	(010001–010749)	Arm, Alternator	1
16	54914	(010001–010749)	Sheave	1
17	03158	(010001–010749)	Pulley, Water Pump	1
18	04078	(010001–010749)	Ring, Retaining	1
19	07282	(010001–010749)	Spacer, Bearing	1
20	07274	(010001–010749)	Spacer, Idler Mount	2
21	07280	(010001–010749)	Arm, Idler	1
22	58555	(010001–010749)	Sheave, Idler	1
23	57746	(010001–010749)	Bearing, Ball	1
24	32492	(010001–010749)	Washer	1

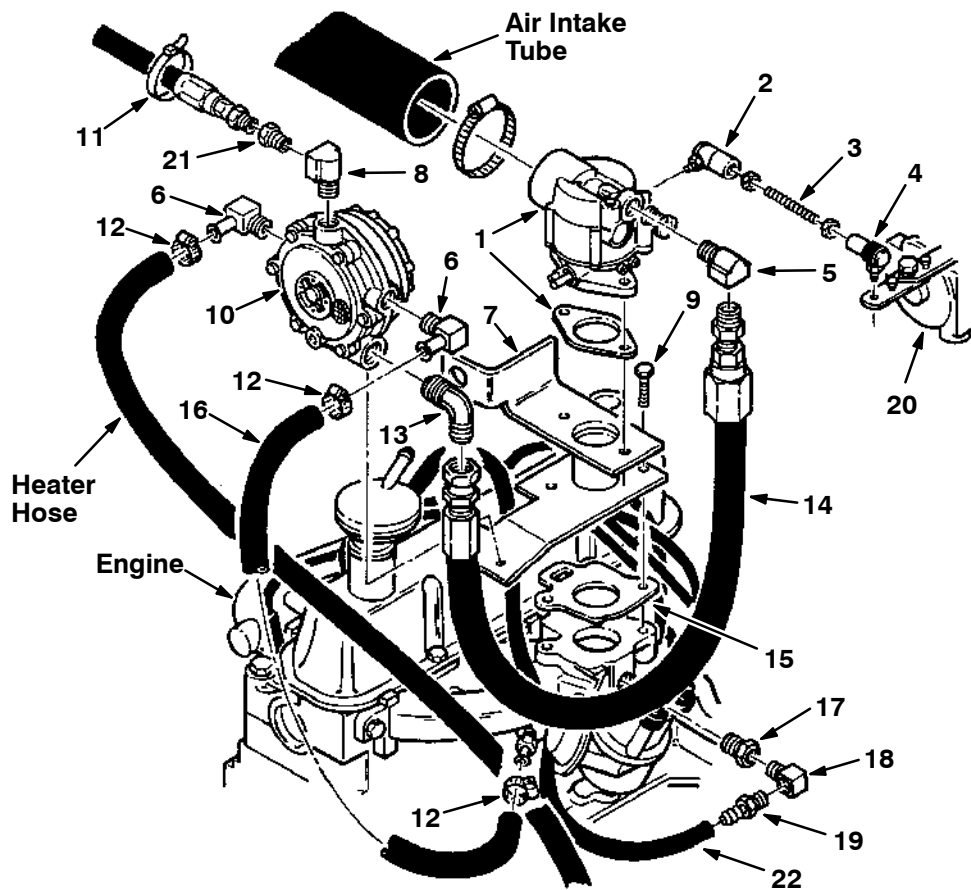


Fig. 35 – Carburetor Group, LPG

04720

Key	TENNANT® Part No.	Machine Serial Number	Description	Qty.
1	07104	(010001–010749)	Carburetor, LPG	1
	55975	(010001–010749)	Repair Kit, Carburetor, LPG	1
2	50332	(010001–010749)	Ball Joint	1
3	04140	(010001–010749)	Stud	1
4	14601	(010001–010749)	Ball Joint	1
5	07602	(010001–010749)	Fitting, Elbow	1
6	51839	(010001–010749)	Fitting, Elbow	2
7	03227	(010001–010749)	Mount, LPG Carburetor	1
8	27048	(010001–010749)	Fitting, Elbow	1
9	16931	(010001–010749)	Screw, Hex, M8	2
10	54930	(010001–010749)	Vaporizer, LPG	1
	55998	(010001–010749)	Repair Kit, Vaporizer	1
11	49263	(010001–010749)	Tie, Cable	3
12	63810	(010001–010749)	Clamp, Worm Drive	4
13	07598	(010001–010749)	Fitting, Elbow	1
14	07597	(010001–010749)	Hose, LPG	1
15	07105	(010001–010749)	Gasket, Manifold	1
16	07103	(010001–010749)	Hose, Heater	1
17	17414	(010001–010749)	Fitting, Straight	1
18	11984	(010001–010749)	Fitting, Elbow	1
19	40607	(010001–010749)	Fitting, Straight	1
20	03152	(010001–010749)	Governor, Mechanical, LPG	1
21	16564	(010001–010749)	Adapter1	1
22	09893	(010001–010749)	Hose, Vacuum	1

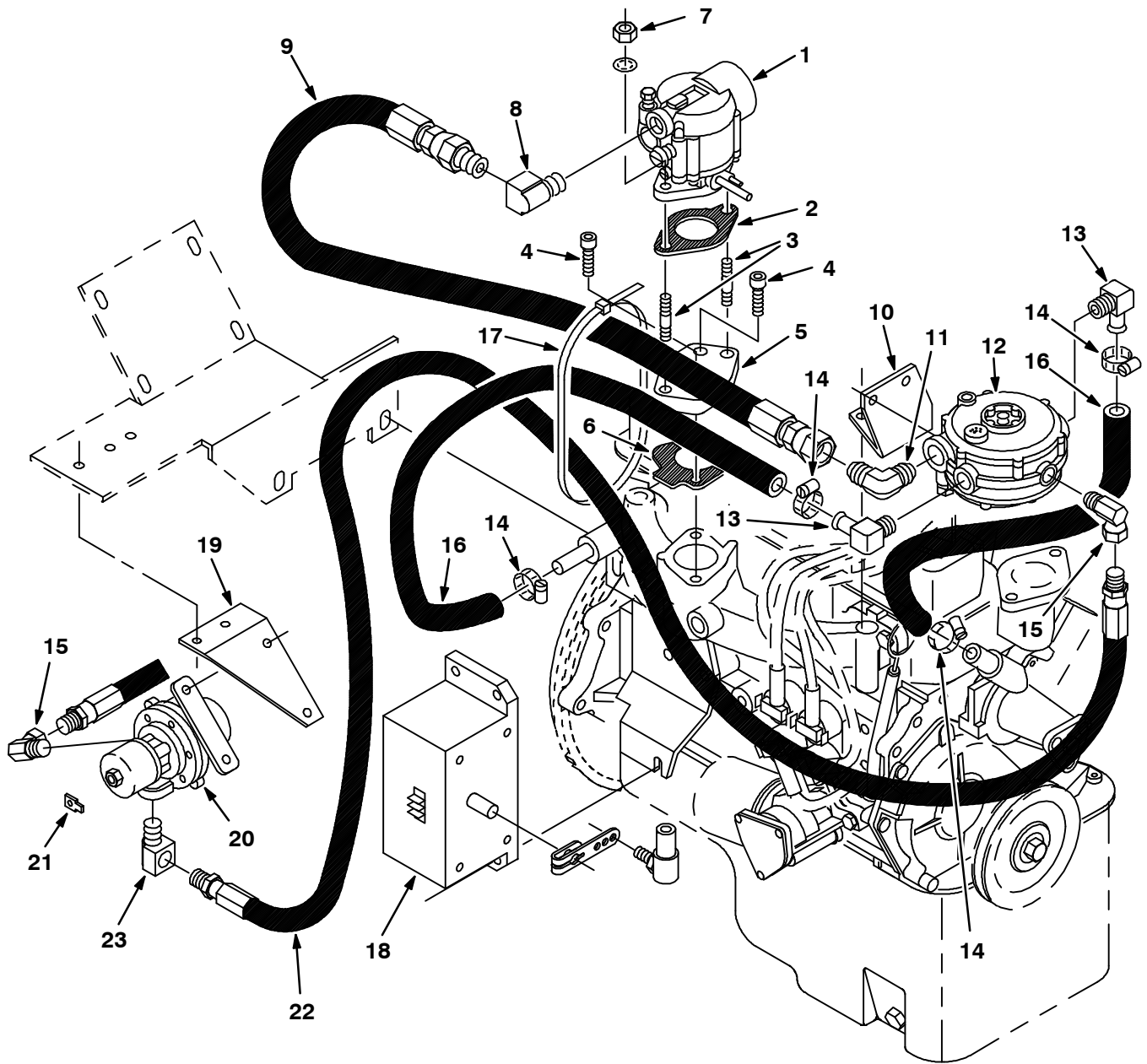


Fig. 36 – Carburetor Group, Distributorless (DIS) LPG

Fig. 36 – Carburetor Group, Distributorless (DIS) LPG

Key	TENNANT Part No.	Machine Serial Number	Description	Qty.
1	30322	(010750–)	Carburetor, LPG	1
	55975	(010750–)	Repair Kit, Carburetor	1
2	31542	(010750–)	Gasket, Carburetor	1
3	30324	(010750–)	Stud, M8	2
4	06532	(010750–)	Screw, Socket, M6	2
5	31728	(010750–)	Plate, Carburetor Mounting	1
6	30312	(010750–)	Gasket, Carburetor	1
7	39311	(010750–)	Nut, Hex, M8	2
8	07602	(010750–)	Fitting, Elbow	1
9	07597	(010750–)	Hose, LPG	1
10	30326	(010750–)	Bracket, Vaporizer	1
11	07598	(010750–)	Fitting, Elbow	1
12	54930	(010750–)	Vaporizer, LPG	1
	55998	(010750–)	Repair Kit, Vaporizer	1
13	51839	(010750–)	Fitting, Elbow	2
14	63810	(010750–)	Clamp, Worm Drive	4
15	11442–1	(010750–)	Fitting, Elbow	1
16	31543	(010750–)	Hose, Heater	1
17	49263	(010750–)	Tie, Cable	2
18	07539	(010750–)	Actuator, Governor	1
19	30387	(010750–)	Bracket, Lp Valve	1
20	33555	(010750–)	Fuel Filter Lock	1
	SK1444	(010750–)	Repair Kit, Fuel Filter Lock	1
21	68106	(010750–)	Tab, Terminal	1
22	22308	(010750–)	Hose, LPG	1
23	27048	(010750–)	Fitting, Elbow	1

LOW DUMP MODEL PARTS

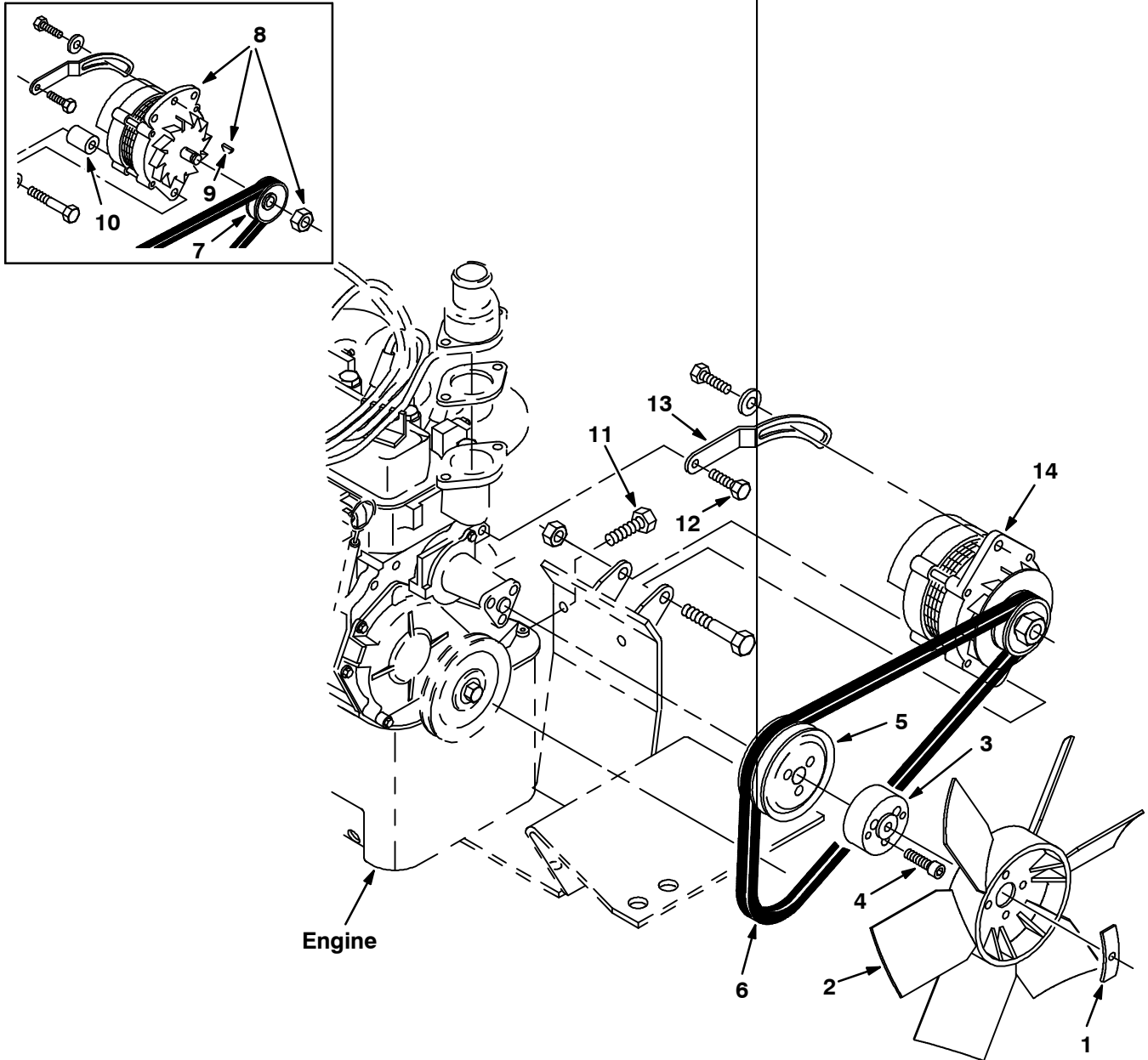


Fig. 37 – Engine Fan and Alternator Group, Distributorless (DIS)

06027

Key	TENNANT Part No.	Machine Serial Number	Description	Qty.
1	07254	(010750-)	Strap, Fan Support	1
2	82537	(010750-)	Fan, Pusher	1
3	31534	(010750-)	Spacer, Fan	1
4	06532	(010750-)	Screw, Socket, M6	3
5	03158	(010750-)	Pulley, Water Pump	1
6	07189	(010750-)	V-Belt	1
7	54914	(010750-010801)	Sheave	1
8	03233	(010750-010801)	Alternator	1
9	00500-5	(010750-010801)	Key, Woodruff	1
10	54959	(010750-010801)	Spacer	1
11	39283	(010750-)	Screw, Hex, M10	2
12	16931	(010750-)	Screw, Hex, M8	1
13	31526	(010750-)	Arm, Alternator	1
14	30458	(010802-)	Alternator	1

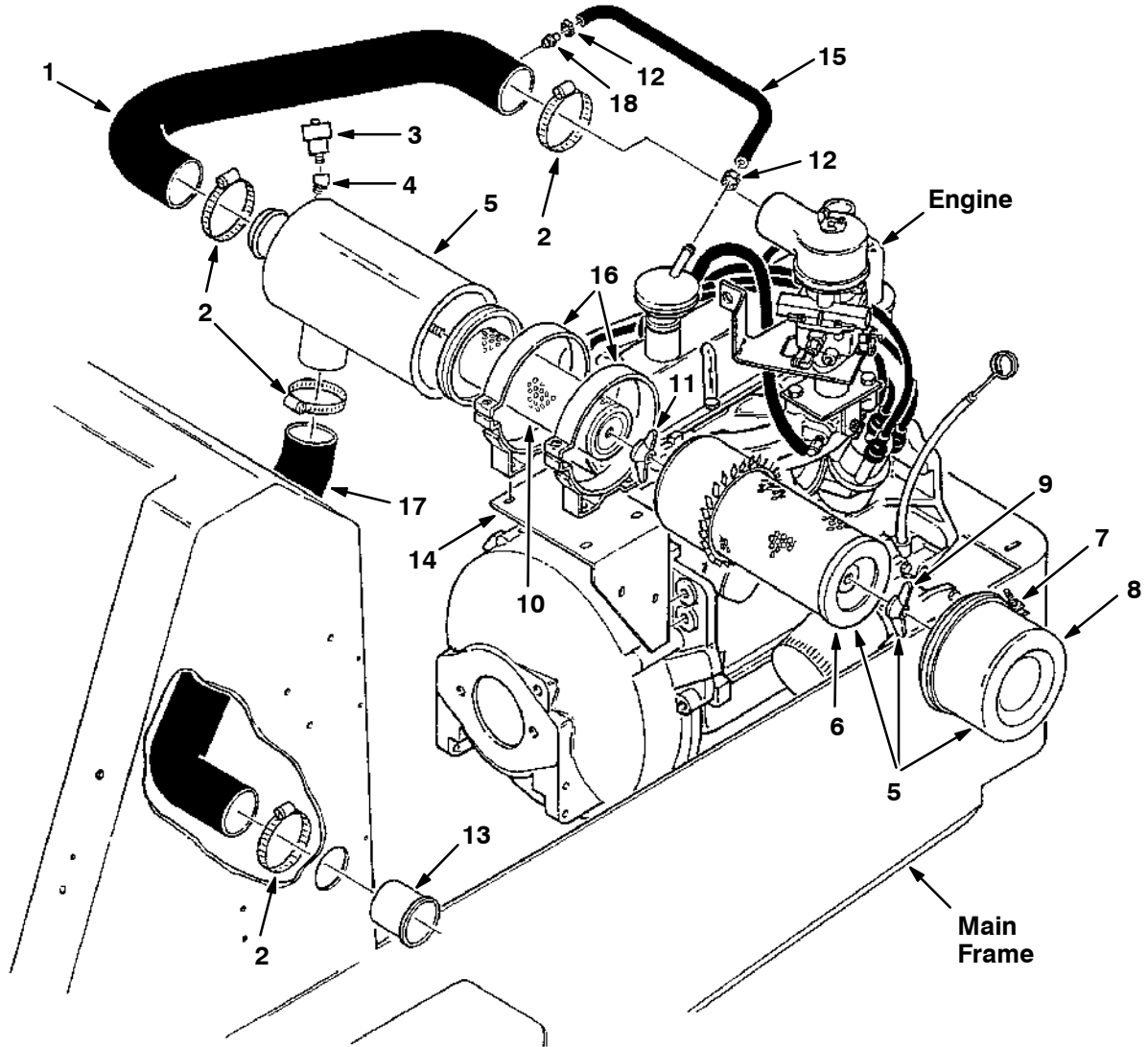


Fig. 38 – Air Cleaner Group

04714

Key	TENNANT® Part No.	Machine Serial Number	Description	Qty.
1	82552	(010001–010749)	Tube, Air Intake	1
2	14432	(010001–010749)	Clamp, Worm Drive	4
3	82685	(010001–010749)	Indicator, Air Filter Service	1
4	24976	(010001–010749)	Fitting, Elbow, 45°	1
5	58538	(010001–010749)	Cleaner, Air	1
6	58120	(010001–010749)	Element, Air Filter	1
7	02740	(010001–010749)	Clamp Assembly	1
8	02741	(010001–010749)	Cup Assembly	1
9	07562	(010001–010749)	Wingnut	1
10	58121	(010001–010749)	Element, Safety	1
11	07562	(010001–010749)	Wingnut	1
12	54333	(010001–010749)	Clamp, Worm Drive	2
13	58346	(010001–010749)	Tube, Air Intake	1
14	82555	(010001–010749)	Bracket, Air Cleaner	1
15	07362	(010001–010749)	Hose, PCV	1
16	51560–3	(010001–010749)	Clamp, Mounting	2
17	82676	(010001–010749)	Hose, Air Intake	1
18	82533	(010001–010749)	Spud	1

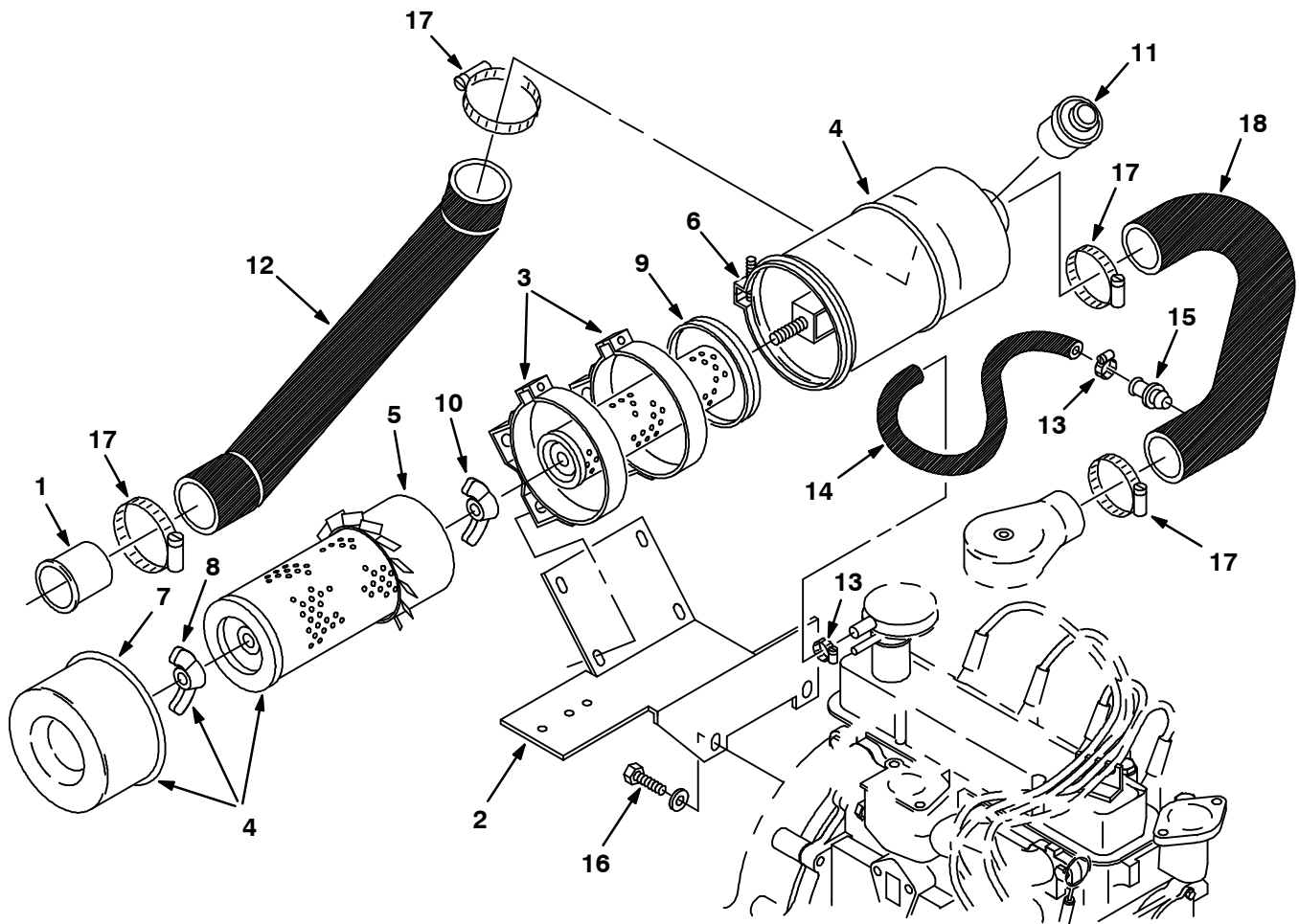


Fig. 39 – Air Cleaner Group, Distributorless (DIS)

06030

Key	TENNANT® Part No.	Machine Serial Number	Description	Qty.
1	58346	(010750–)	Tube, Air Intake	1
2	31511	(010750–)	Bracket, Air Cleaner Mounting	1
3	51560–3	(010750–)	Clamp, Mounting	2
4	58538	(010750–)	Air Cleaner	1
5	58120	(010750–)	Element, Air Filter	1
6	02740	(010750–)	Clamp Assembly	1
7	02741	(010750–)	Cup Assembly	1
8	07562	(010750–)	Nut, Wing	1
9	58121	(010750–)	Element, Safety	1
10	07562	(010750–)	Nut, Wing	1
11	82685	(010750–)	Indicator, Air Filter Service	1
12	82676	(010750–)	Hose, Air Intake	1
13	54333	(010750–)	Clamp, Worm Drive	2
14	31515	(010750–)	Hose, PCV	1
15	82533	(010750–)	Spud	1
16	39284	(010750–)	Screw, Hex, M10	2
17	14432	(010750–)	Clamp, Worm Drive	4
18	31486	(010750–)	Hose, Air Intake	1

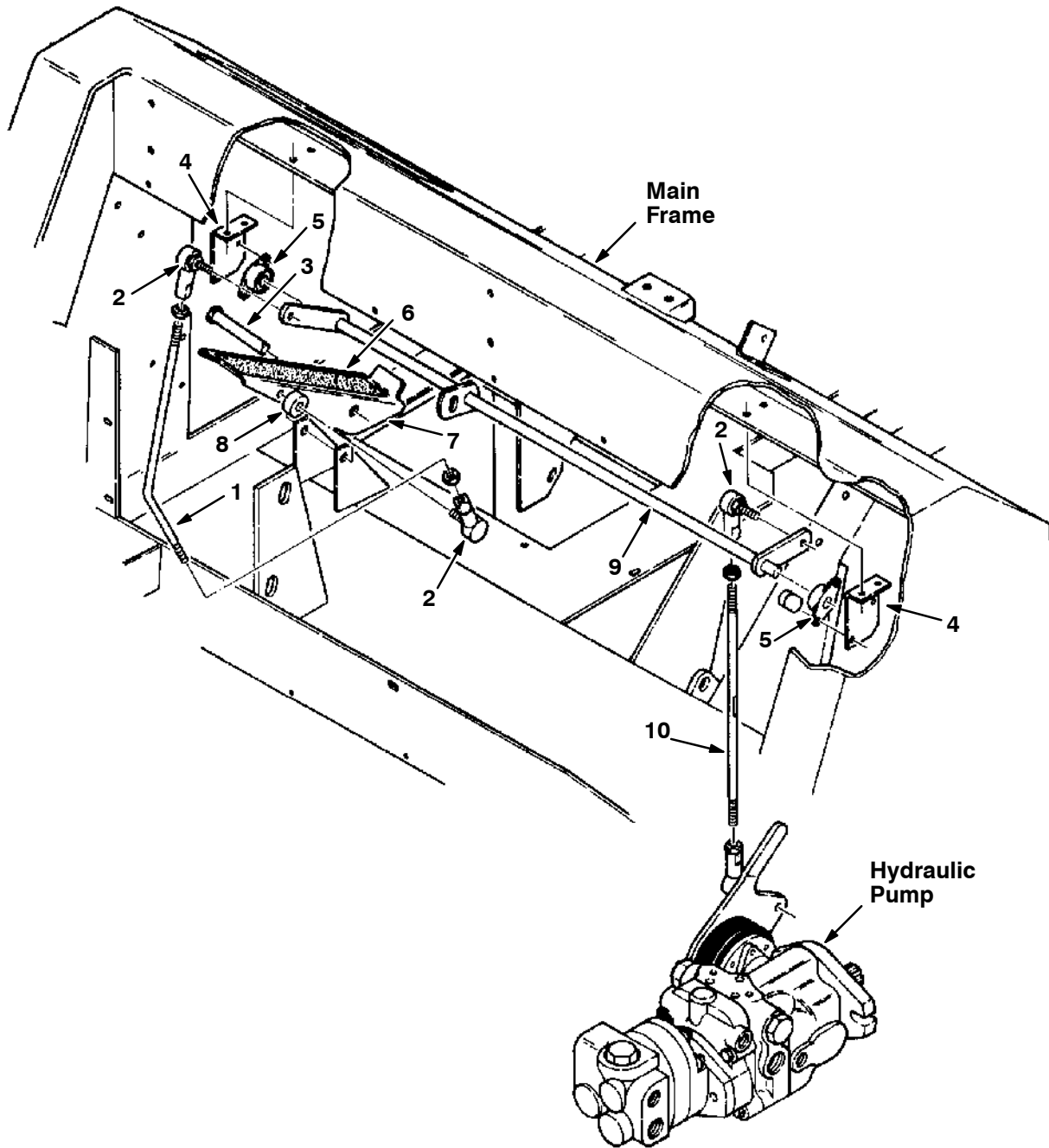


Fig. 40 – Directional Control Group

04560

Key	TENNANT® Part No.	Machine Serial Number	Description	Qty.
1	82748	(010001–010749)	Rod, Accelerator Control	1
2	50493	(010001–010749)	Ball Joint	3
3	23683	(010001–010749)	Pin, Clevis	1
4	53351A	(010001–010749)	Support, Control Rod	2
5	53352	(010001–010749)	Bearing, Flange	2
6	82839	(010001–010749)	Pad, Tread	1
7	82836	(010001–010749)	Pedal, Propel	1
8	69462	(010001–010749)	Sleeve	1
9	82793	(010001–010749)	Rod, Drive Linkage	1
10	82258	(010001–010749)	Stud	1

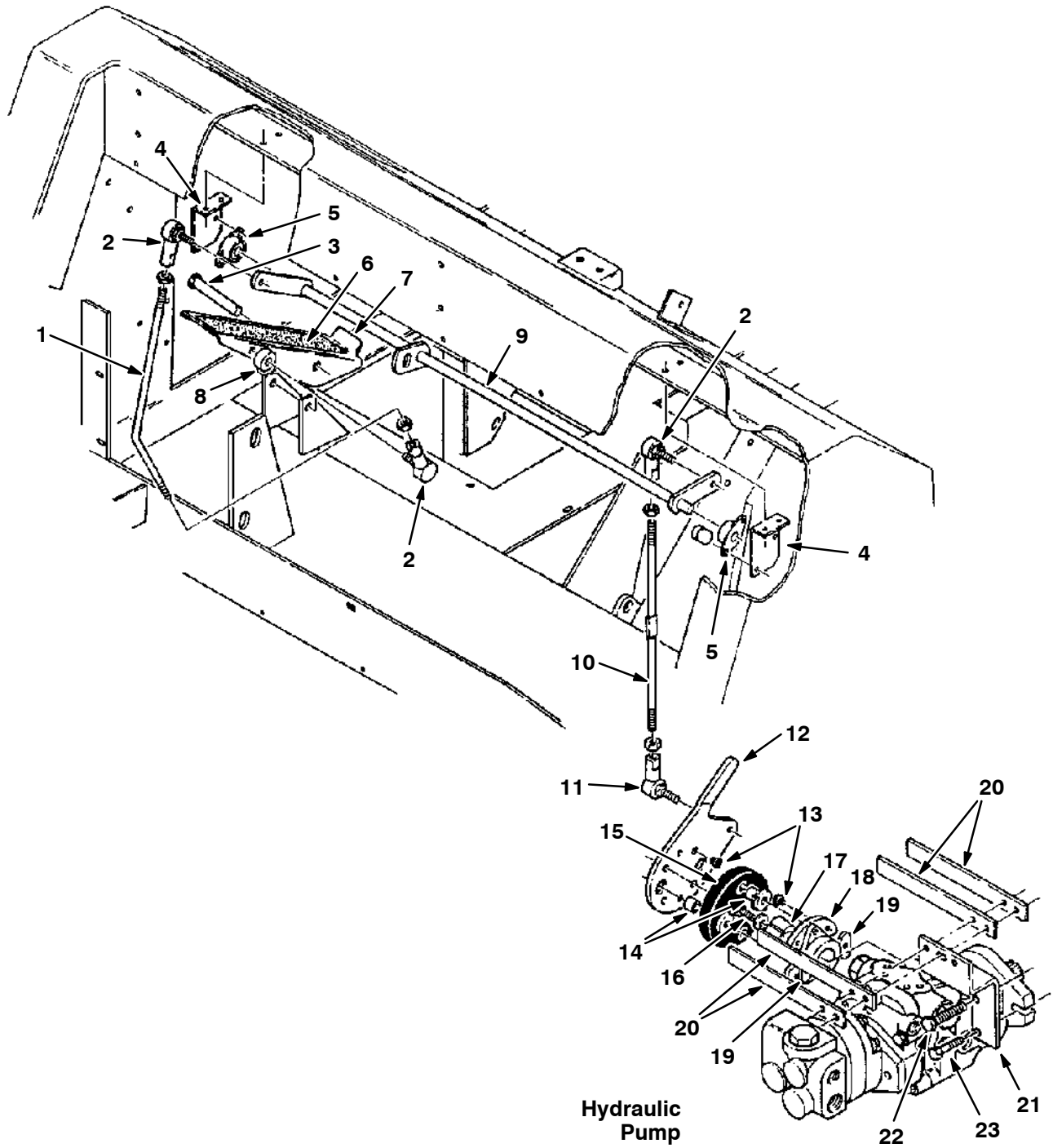


Fig. 41 – Directional Control Group, Distributorless (DIS)

Fig. 41 – Directional Control Group, Distributorless (DIS)

Key	TENNANT® Part No.	Machine Serial Number	Description	Qty.
1	82748	(010750–)	Rod, Accelerator Control	1
2	50493	(010750–)	Ball Joint	3
3	23683	(010750–)	Pin, Clevis	1
4	53351A	(010750–)	Support, Control Rod	2
5	53352	(010750–)	Bearing, Flange	2
6	82839	(010750–)	Pad, Tread	1
7	82836	(010750–)	Pedal, Propel	1
8	69462	(010750–)	Sleeve	1
9	82793	(010750–)	Rod, Drive Linkage	1
10	82258	(010750–)	Rod, Threaded	1
11	82260	(010750–)	Ball Joint, Left Hand Thread	1
12	30363	(010750–)	Plate, Pump Control	1
13	56855	(010750–)	Bumper, Rubber	8
14	64991	(010750–)	Sleeve	4
15	57875	(010750–)	Coupling, Shaft	1
16	16736	(010750–)	Screw, Hex, Nylon	1
17	15280–3	(010750–)	Bushing	
1				
18	02701	(010750–)	Flange, Coupling	1
19	02702	(010750–)	Washer, Retainer	2
20	49681	(010750–)	Plate, Spring	4
21	30365	(010750–)	Bracket, Centering	1
22	55347	(010750–)	Screw, Hex, Full Thread	1
23	82842	(010750–)	Screw, Hex, Nylon	2

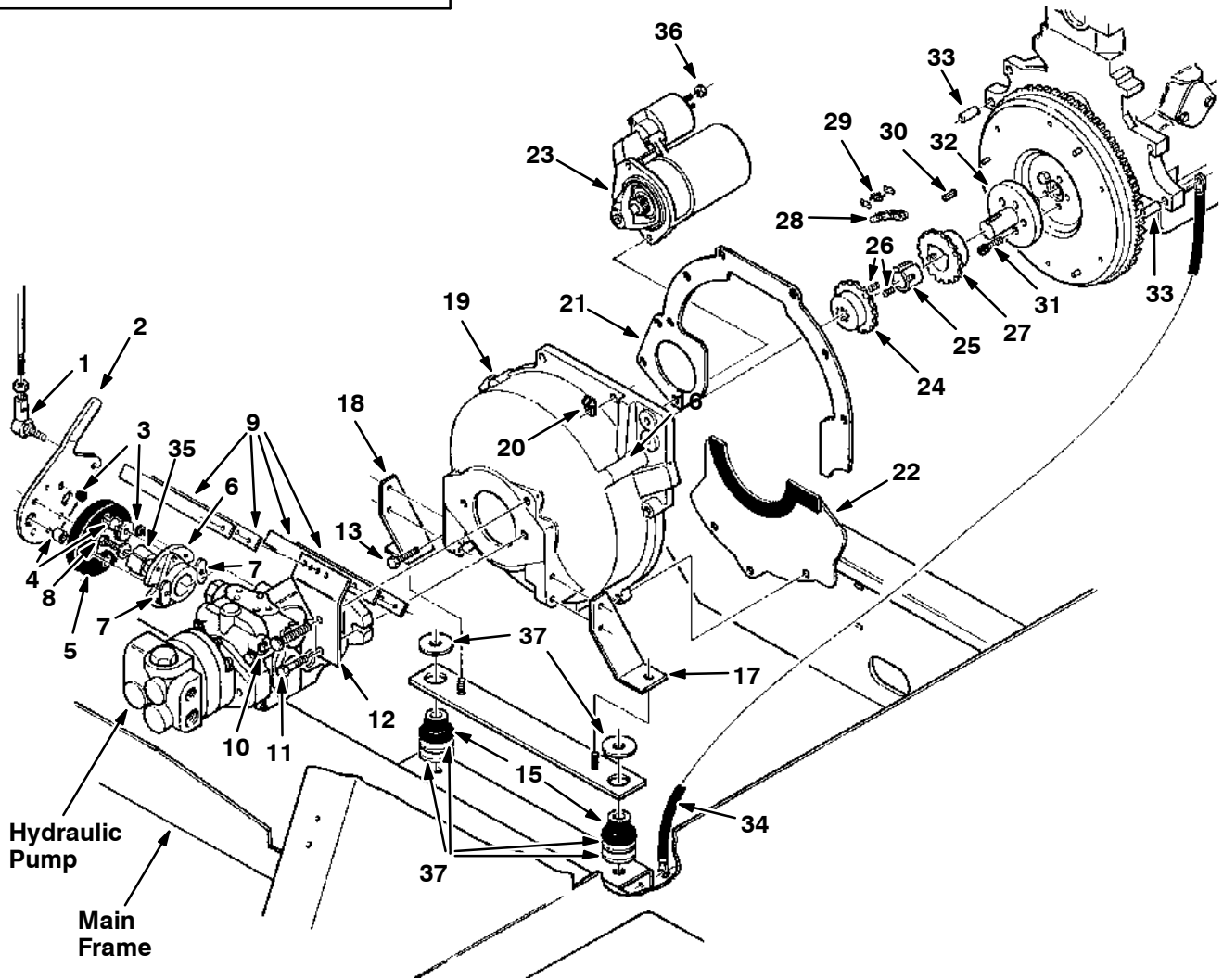
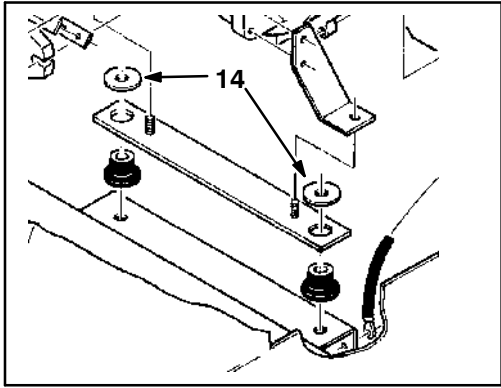


Fig. 42 – Flywheel Housing Group

Fig. 42 – Flywheel Housing Group

Key	TENNANT® Part No.	Machine Serial Number	Description	Qty.
1	82260	(010001–010749)	Ball Joint, Left Hand Thread	1
2	82215	(010001–010749)	Plate, Pump Control	1
3	56855	(010001–010749)	Bumper, Rubber	8
4	64991	(010001–010749)	Sleeve	4
5	57875	(010001–010749)	Coupling, Shaft	1
6	02701	(010001–010749)	Flange, Coupling	1
7	02702	(010001–010749)	Washer, Retainer	2
8	16736	(010001–010749)	Screw, Hex, Nylon	1
9	49681	(010001–010749)	Plate, Spring	4
10	55347	(010001–010749)	Screw, Hex, Full Thread	1
11	82842	(010001–010749)	Screw, Hex, Nylon	2
12	02699	(010001–010749)	Bracket, Mount	1
13	03193	(010001–010749)	Screw, Hex, M10	3
14	32492	(010001–010165)	Washer	2
15	51176	(010001–010749)	Dampner, Engine	2
16	82517	(010001–010749)	Support, Bell Housing	1
17	82520	(010001–010749)	Angle, Support, L.H.	1
18	82519	(010001–010749)	Angle, Support, R.H.	1
19	03154	(010001–010749)	Housing, Flywheel	1
20	76736	(010001–010749)	Clamp, Cable	1
21	03179	(010001–010749)	Ring, Starter Locating	1
22	07188	(010001–010749)	Cover, Flywheel Housing	1
23	03160	(010001–010749)	Starter	1
24	53386	(010001–010749)	Coupling, Spline	1
25	15280–1	(010001–010749)	Bushing	1
26	39330	(010001–010749)	Screw, Set	2
27	53531–2	(010001–010749)	Coupling, Chain Half	1
28	33691	(010001–010749)	Chain, Roller	1
29	33692	(010001–010749)	Link, Roller Chain	1
30	00926	(010001–010749)	Key, Square	1
31	03210	(010001–010749)	Screw, Socket, M10	5
32	07132	(010001–010749)	Adaptor, Flywheel	1
33	54911–16	(010001–010749)	Pin, Dowel	2
34	57773	(010001–010749)	Wire Assembly, Ground	1
35	15280–3	(010001–010749)	Bushing	1
36	41361	(010001–010749)	Nut, Hex M8	1
37	04414	(010166–010749)	Washer, Flat	6

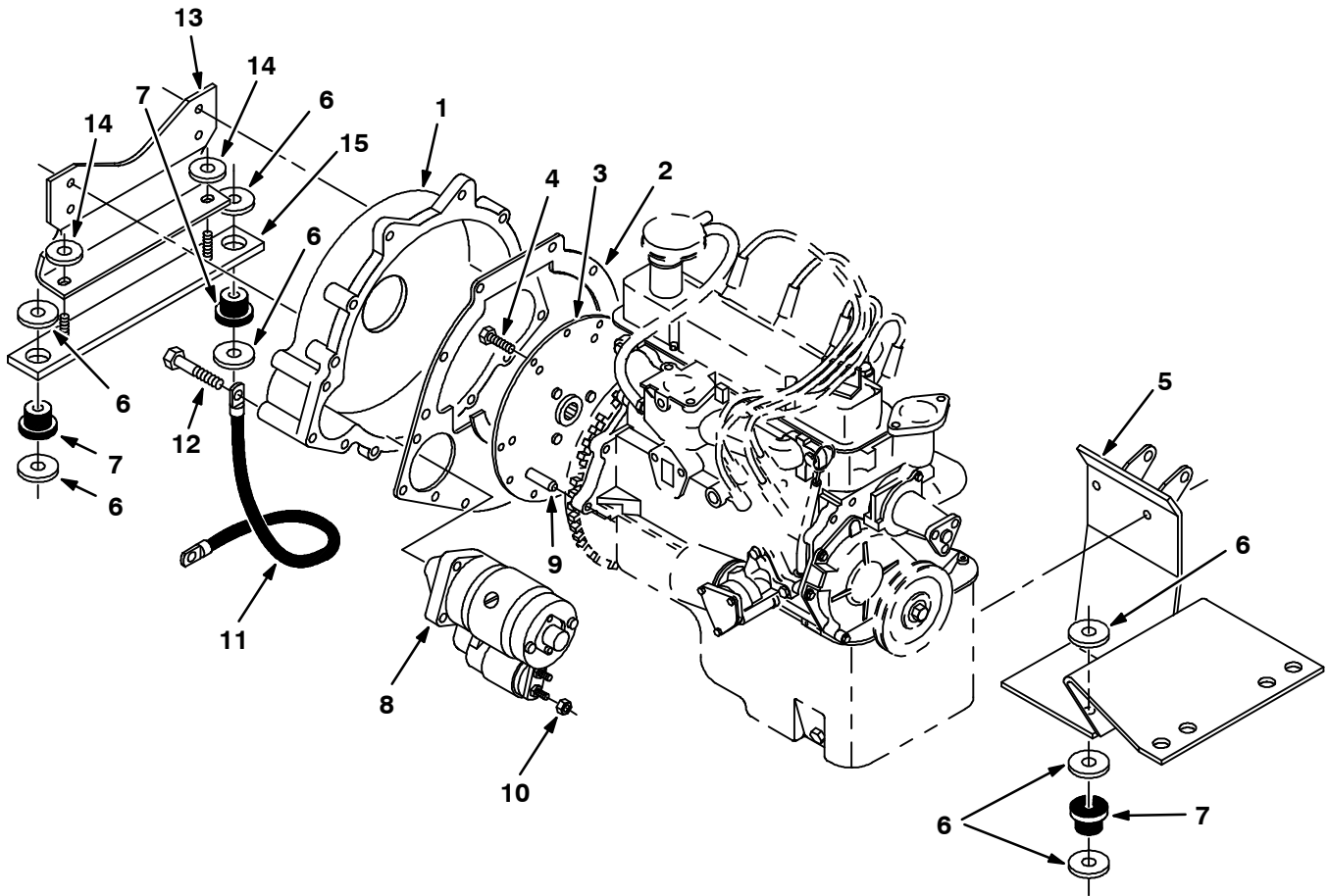


Fig. 43 – Flywheel Housing Group, Distributorless (DIS)

06037

Key	TENNANT Part No.	Machine Serial Number	Description	Qty.
1	19073	(010750–)	Housing, Flywheel	1
2	19531	(010750–)	Ring, Starter Locating	1
3	19252	(010750–)	Coupling Assembly, Flywheel	1
4	16735	(010750–)	Screw, Hex, M8	6
5	31491	(010750–010801)	Mount, Engine Front	1
5	30434	(010802–)	Mount, Engine Front	1
6	04414	(010750–)	Washer, Flat	7
7	51176	(010750–)	Dampner, Engine	3
8	31761	(010750–)	Starter	1
9	54911–16	(010750–)	Pin, Dowel	2
10	41361	(010750–)	Nut, Hex, M8	1
11	57773	(010750–)	Wire Assembly, Ground	1
12	03192	(010750–)	Screw, Hex, M10	3
13	30328	(010750–)	Mount, Engine Rear	1
14	32492	(010750–)	Washer	2
15	82517	(010750–)	Support, Bell Housing	1

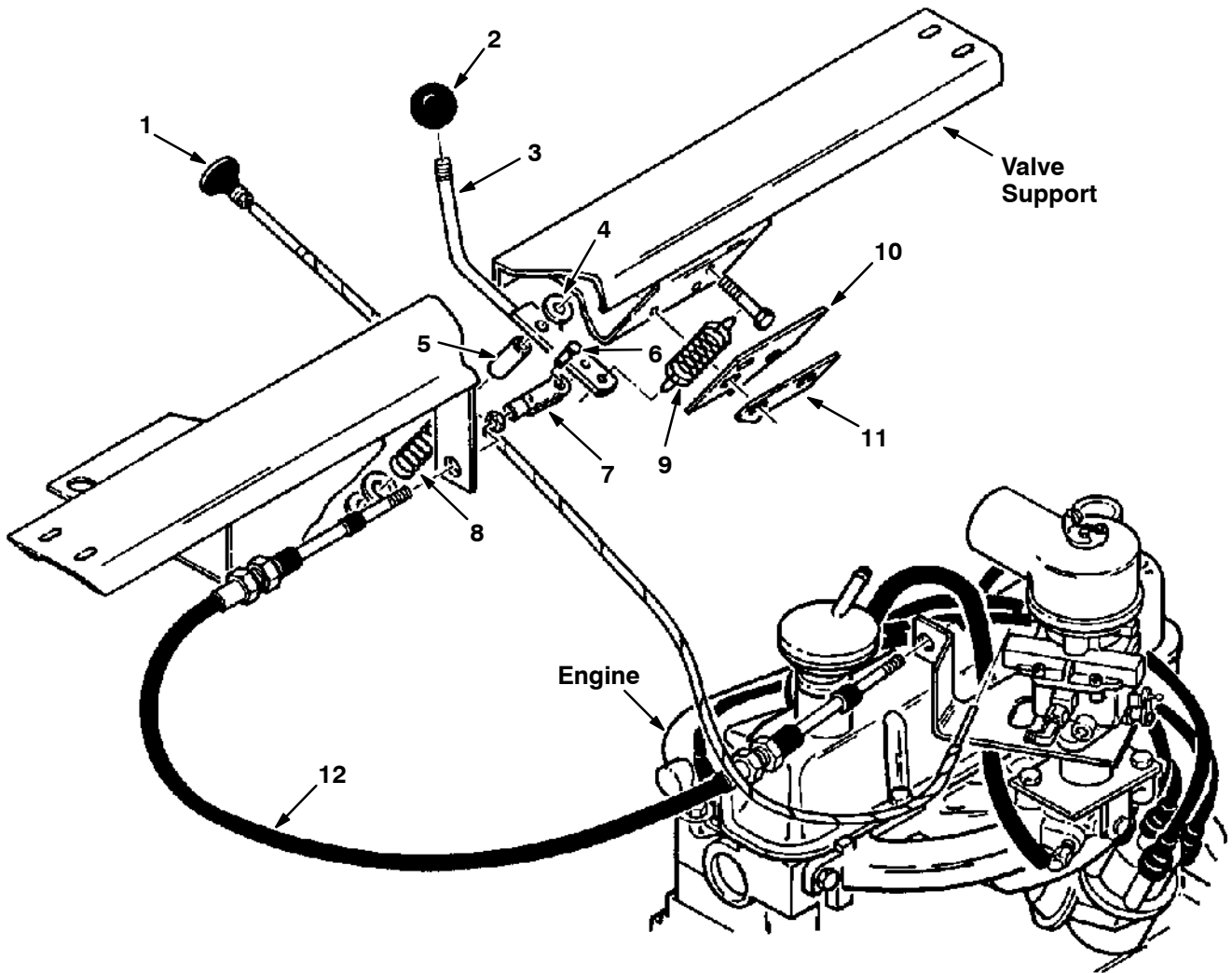


Fig. 44 – Throttle Linkage Group

04725

Key	TENNANT® Part No.	Machine Serial Number	Description	Qty.
1	69266	(010001–010749)	Cable, Choke	1
2	26565	(010001–010749)	Knob	1
3	82941	(010001–010749)	Handle, Throttle	1
4	43611	(010001–010749)	Washer, Nylon	1
5	68000	(010001–010749)	Spacer	1
6	14605	(010001–010749)	Pin, Clevis	1
7	14595–1	(010001–010749)	Clevis, Adjustable	1
8	39457	(010001–010749)	Spring, Compression	1
9	01053	(010001–010749)	Spring, Tension	1
10	82669	(010001–010749)	Plate, Stop	1
11	82677	(010001–010749)	Plate, Stop	1
12	67815	(010001–010749)	Cable Assembly, Stud and Stud	1

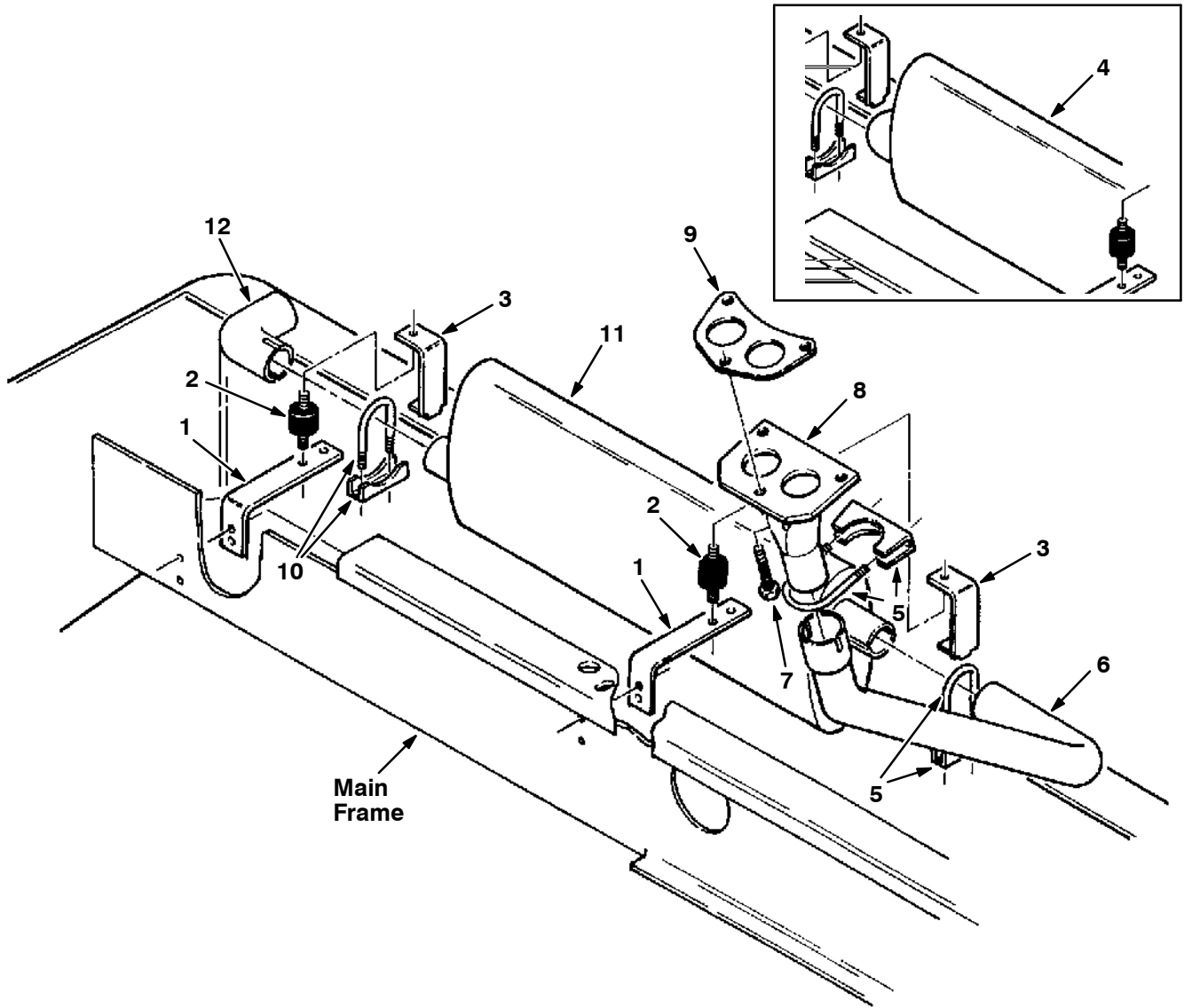


Fig. 45 – Muffler Group

05379

Key	Tennant® Part No.	Machine Serial Number	Description	Qty
1	07387	(010001–010749)	Bracket, Muffler Hanger	2
2	82661	(010001–010749)	Isolator, Vibration	2
3	82545	(010001–010749)	Hanger, Muffler	2
4	33330	(010001–010201)	Replacement Kit, Muffler	1
5	24012	(010001–010749)	Clamp, Muffler	2
6	03240	(010001–010749)	Pipe, Exhaust	1
7	39283	(010001–010749)	Screw, Hex M10	3
8	03232	(010001–010749)	Collector, Exhaust	1
9	03252	(010001–010749)	Gasket, Exhaust	1
10	23693	(010001–010749)	Clamp, Muffler	1
11	33333	(010202–010749)	Muffler	1
12	33329	(010202–010749)	Tailpipe	1

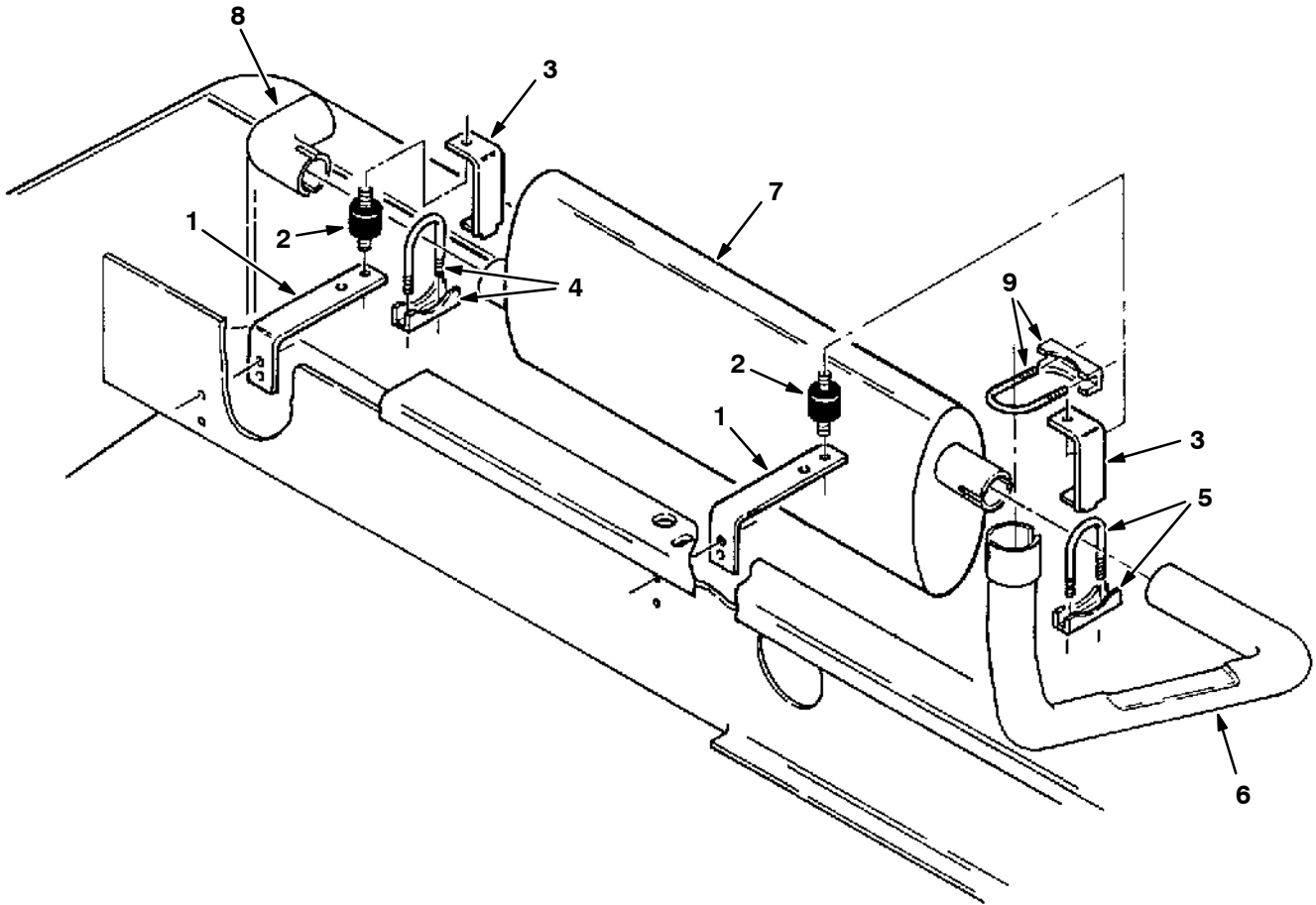


Fig. 46 – Muffler Group, Distributorless (DIS)

06040

Key	TENNANT® Part No.	Machine Serial Number	Description	Qty.
1	30351	(006500–)	Bracket, Muffler Hanger	2
2	82661	(006500–)	Isolator, Vibration	2
3	82545	(006500–)	Hanger, Muffler	2
4	23693	(006500–)	Clamp, Muffler (for 1.50" OD tube)	1
5	24012	(006500–)	Clamp, Muffler (for 1.62" OD tube)	1
6	30350	(006500–)	Tube, Exhaust	1
7	33333	(006500–)	Muffler	1
8	33329	(006500–)	Tailpipe	1
9	24012–1	(010750–)	Clamp, Muffler (for 1.75" OD tube)	1

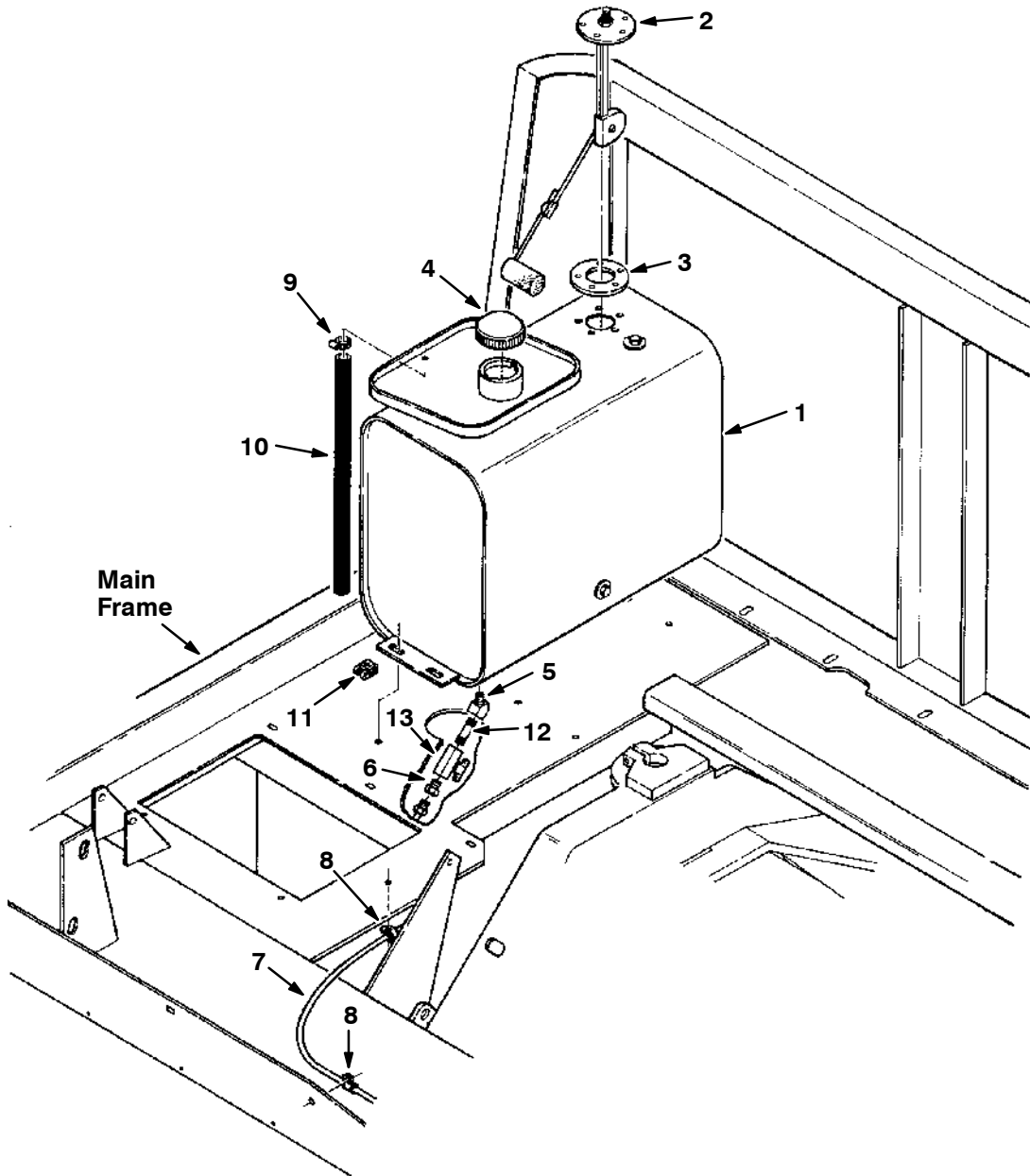


Fig. 47 -- Fuel Tank Group

04485

Key	TENNANT® Part No.	Machine Serial Number	Description	Qty.
1	82729	(010001-)	Tank, Fuel	1
2	07874	(010001-)	Sending Unit, Fuel Tank	1
	68106	(010001-)	Terminal, Tab	1
3	14131	(010001-)	Gasket	1
4	48267	(010001-)	Cap, Fuel Tank	1
5	24976	(010001-)	Fitting, Elbow, 45°	1
6	40585	(010001-)	Fitting, Straight	1
7	82524	(010001-)	Tube Assembly	1
8	46236	(010001-)	Clamp, Cable	3
9	54333	(010001-)	Clamp, Worm Drive	1
10	34258	(010001-)	Hose, Gas	1
11	02485	(010001-)	Nut, Speed Retainer	4
12	47566	(010001-)	Fitting, Nipple	1
13	07885	(010001-)	Valve, Ball	1

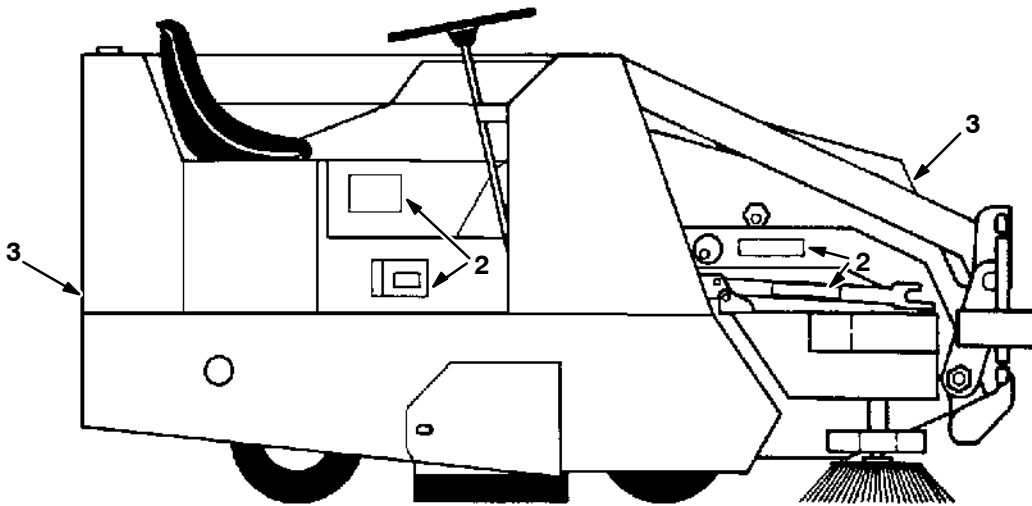
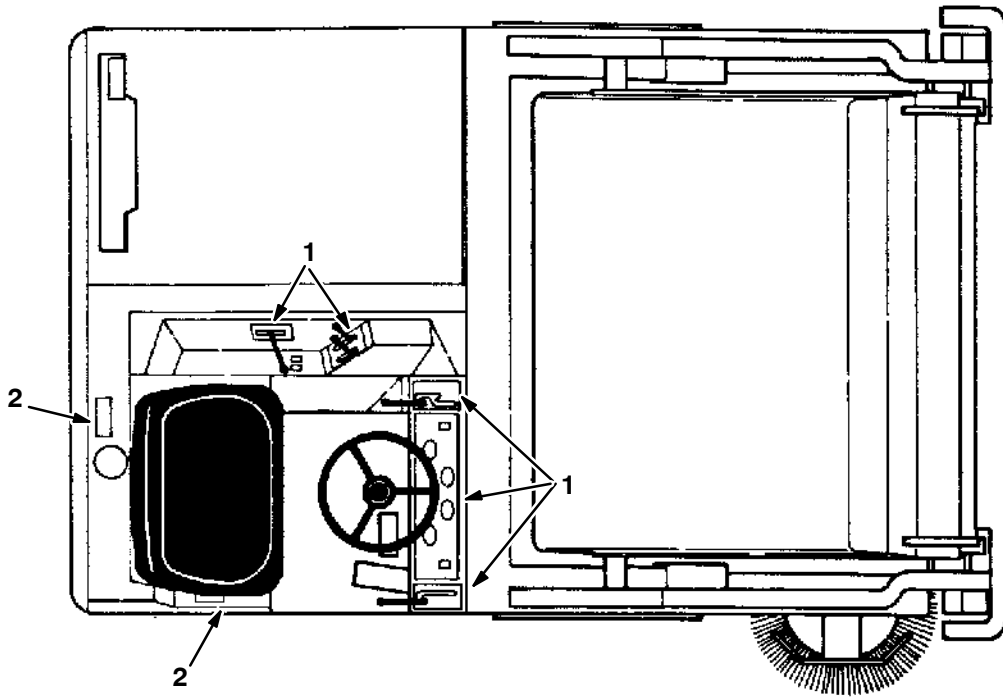


Fig. 48 – Labels Group

06042

Key	TENNANT® Part No.	Machine Serial Number	Description	Qty.
1	25162	(010001–)	Label Kit, Complete	1
1	25143	(010001–)	Label Kit, Operational	1
2	82740	(010001–)	Label Kit, Information and Hazard	1

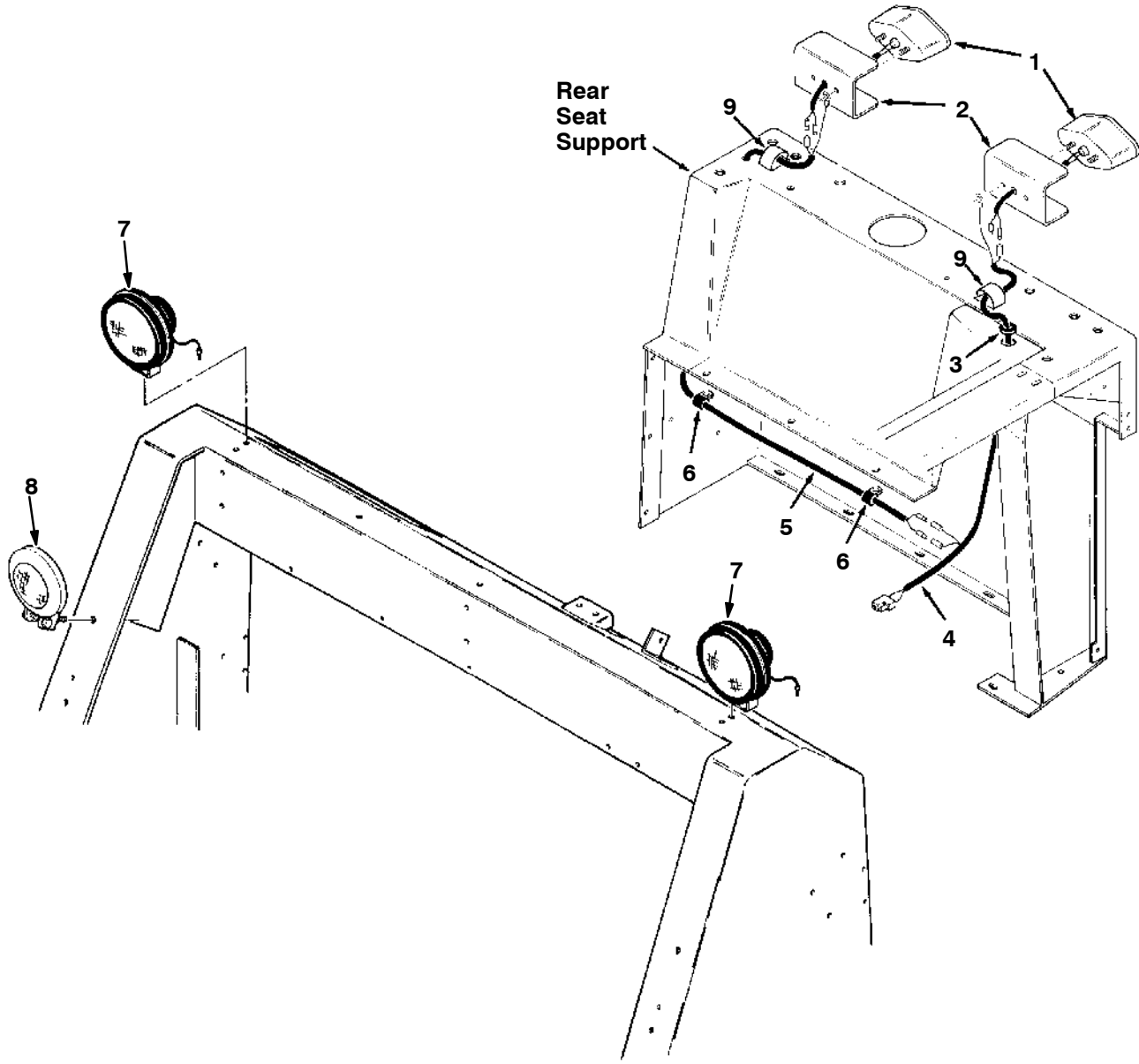


Fig. 49 – Headlight, Taillight, and Spotlight Group

04487

Key	TENNANT® Part No.	Machine Serial Number	Description	Qty.
1	55274	(010001–)	Tail Light Assembly	2
	45780	(010001–)	Bulb	1
2	82725	(010001–)	Guard, Light	2
3	10632–2	(010001–)	Grommet, Rubber	1
4	82707	(010001–)	Harness, Tail Light, L.H.	1
5	82735	(010001–)	Harness, Tail Light, R.H.	1
6	40678	(010001–)	Clamp, Cable	2
7	19827	(010001–)	Light Assembly	2
	51570	(010001–)	Lamp	1
8	82595	(010001–)	Spotlight Assembly	1
8	32827	(010001–)	Bulb	1
9	82637	(010001–)	Cable, Clamp	2
	55272	(010001–)	Plug, Snap Terminal	2
	49266	(010001–)	Tie, Cable	5
	55248	(010001–)	Mount, Cable Tie	2

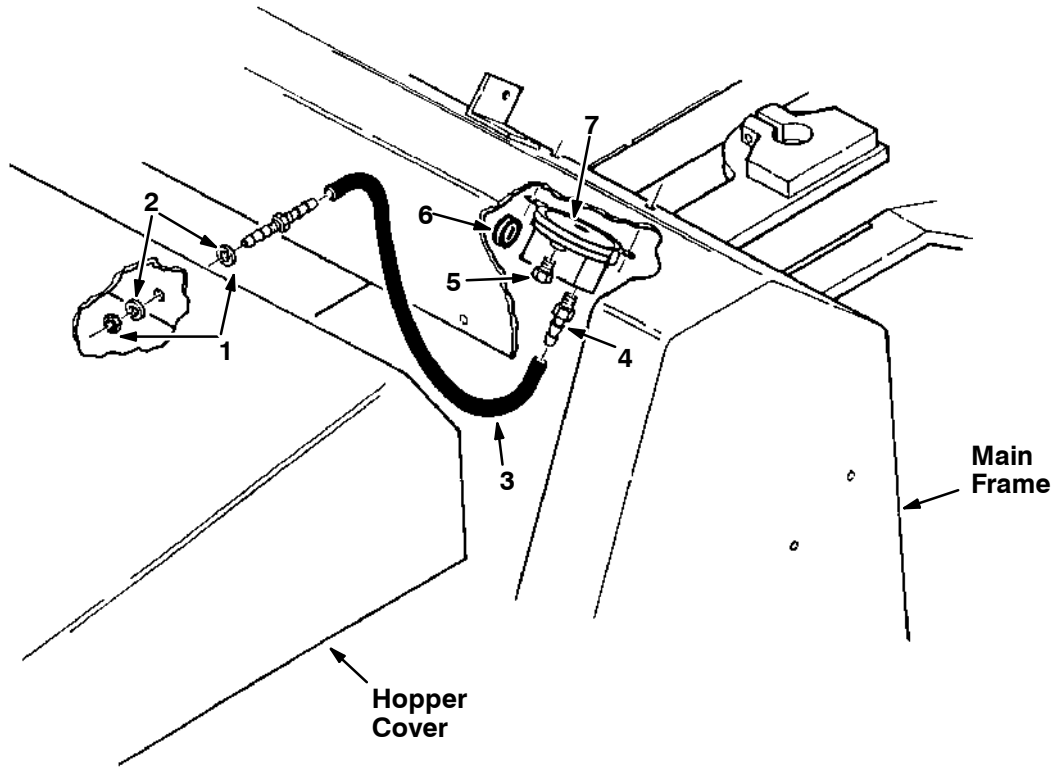


Fig. 50 – Pressure Switch Group

04494

Key	TENNANT® Part No.	Machine Serial Number	Description	Qty.
1	39923	(010001–)	Fitting, Barbed Bulkhead	1
2	43454	(010001–)	Washer, Nylon	2
3	39780–1	(010001–)	Hose, Rubber	1
4	40607	(010001–)	Fitting, Barbed Straight	1
5	82739	(010001–)	Fitting, Breather	1
6	10632–4	(010001–)	Grommet, Rubber	1
7	34868	(010001–)	Switch, Pressure	1

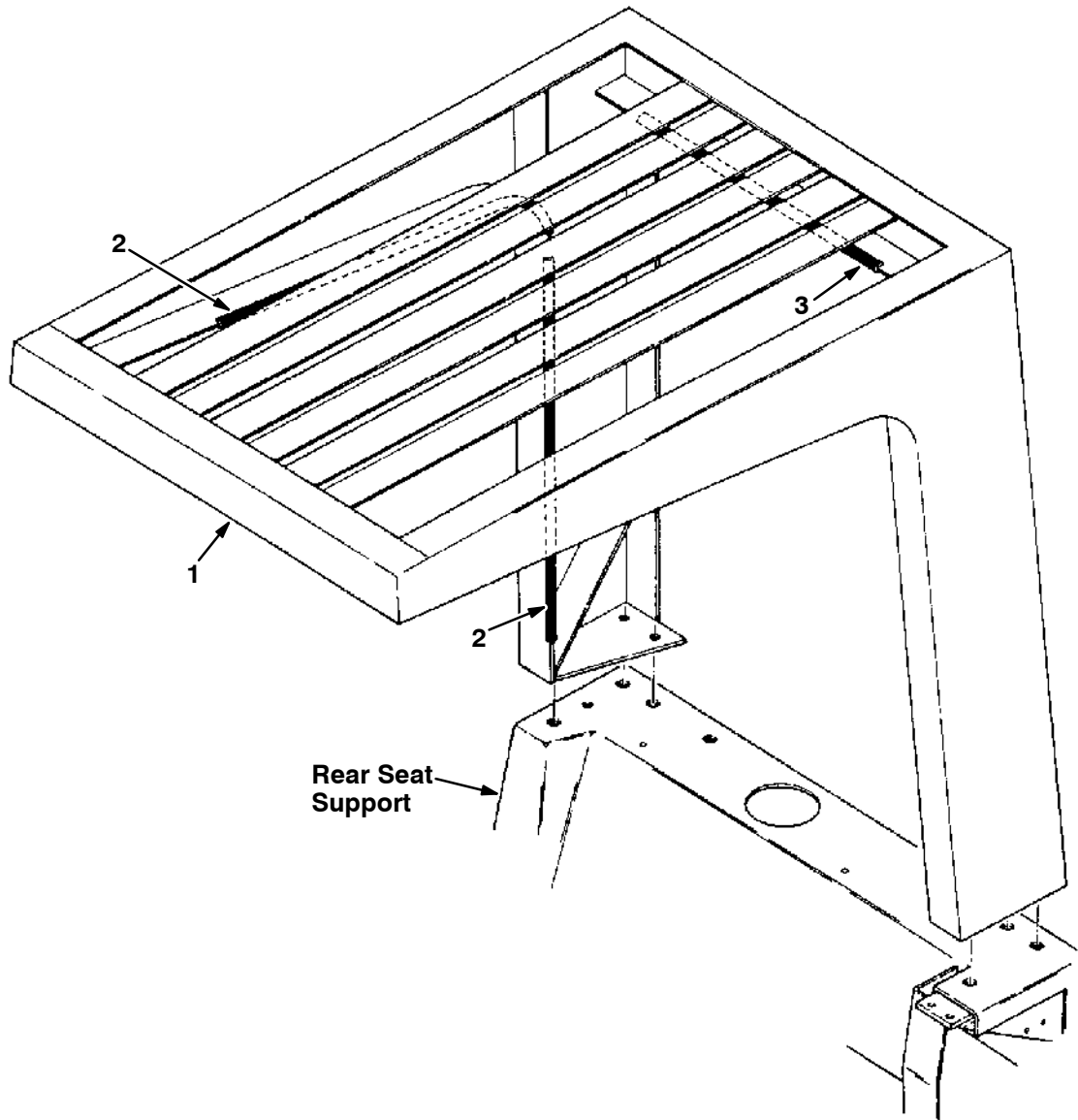


Fig. 51 – Overhead Guard Group

04505

Key	TENNANT® Part No.	Machine Serial Number	Description	Qty.
1	55150	(010001–)	Guard, Overhead	1
2	62595–11	(010001–)	Molding, Rigid	2
3	62595–2	(010001–)	Molding, Rigid	1

SECTION 6

CONTENTS

	Page
ORDERING REPAIR PARTS	6-3
Fig. 1 – Engine Group, Diesel	6-4
Fig. 2 – Fuel Tank Group, Diesel	6-6
Fig. 3 – Radiator and Shroud Group, Diesel	6-8
Fig. 4 – Throttle Linkage Group, Diesel	6-9
Fig. 5 – Muffler Group, Diesel	6-10
Fig. 6 – Directional Control Group, Diesel ...	6-11
Fig. 7 – Instrument Panel Group, Diesel	6-12
Fig. 8 – Wire Harness Group, Diesel	6-13
Fig. 9 – Foam Insulation Group, Diesel	6-14
Fig. 10 – Air Cleaner Group, Diesel	6-15

NOTE: SECTION 6, DIESEL PARTS, lists repair parts unique to a diesel powered machine.

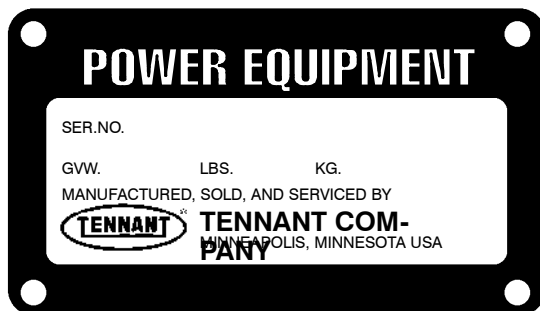
ORDERING REPAIR PARTS

The components used in this machine have been carefully selected for performance and safety. Use only Tennant Company specified or equivalent parts.

To receive prompt service in filling of your parts orders, please direct all orders for parts with Tennant Company part numbers to the Tennant Company, and all orders for parts with vendor part numbers to the local supplier of the respective vendor.

When ordering parts, please furnish all of the following information:

1. Machine model number - shown on the machine data plate.



2. Machine serial number - shown on the machine data plate.
3. Power source - gasoline, LPG, diesel, electric.
4. Company name.
5. Shipping address.
6. Billing address.
7. Name, first and last - of person ordering parts.
8. Telephone number.
9. Purchase order number.
10. Part number, description, and quantity - of each item on the order.

Do not order parts by key number or the figure number of the illustrated parts. Indented items indicate parts of assemblies. Standard hardware is furnished only when part of a purchased assembly. Please get hardware from a local hardware supplier.

If the old part cannot be identified, send it to us with the quantity needed specified on the order.

Any claim for loss or damage to a shipment in transit should be filed promptly against the transportation company making the delivery. Shipments will be complete unless the packing list or order acknowledgement indicate items back ordered.

If parts received are suspected to be incorrect or defective, please write, wire, or phone the Tennant Company representative from whom you ordered the part. They will give authorization for return and/or handle replacement shipments when required.

SERIAL NUMBER INFORMATION EXPLANATION

Serial number listings are shown to indicate on which machines each part can be used. These listings are explained by the following examples:

(000000—) The part can be used on all machines.

(003342—) The part can be used on all machines beginning with the serial number listed.

(000000—004320) The part can be used on all machines up to and including serial number listed.

(004321—005678) The part can be used on all machines between and including the serial numbers listed.

Where xxxxx's are listed in place of a serial number, it indicates a change was made but the exact serial number had not been established when the catalog went to press.

SI UNITS OF MEASURE (INTERNATIONAL SYSTEM)

Metric equivalents have been included, where applicable, throughout this parts catalog.

FASTENER STRENGTH IDENTIFICATION

Fasteners required to have high—strength qualities equivalent to SAE Grade 8 are identified throughout this catalog by the description GR 8. Unless identified by this description, all standard fasteners are SAE Grade 5.

(Specifications and design subject to change without notice.)

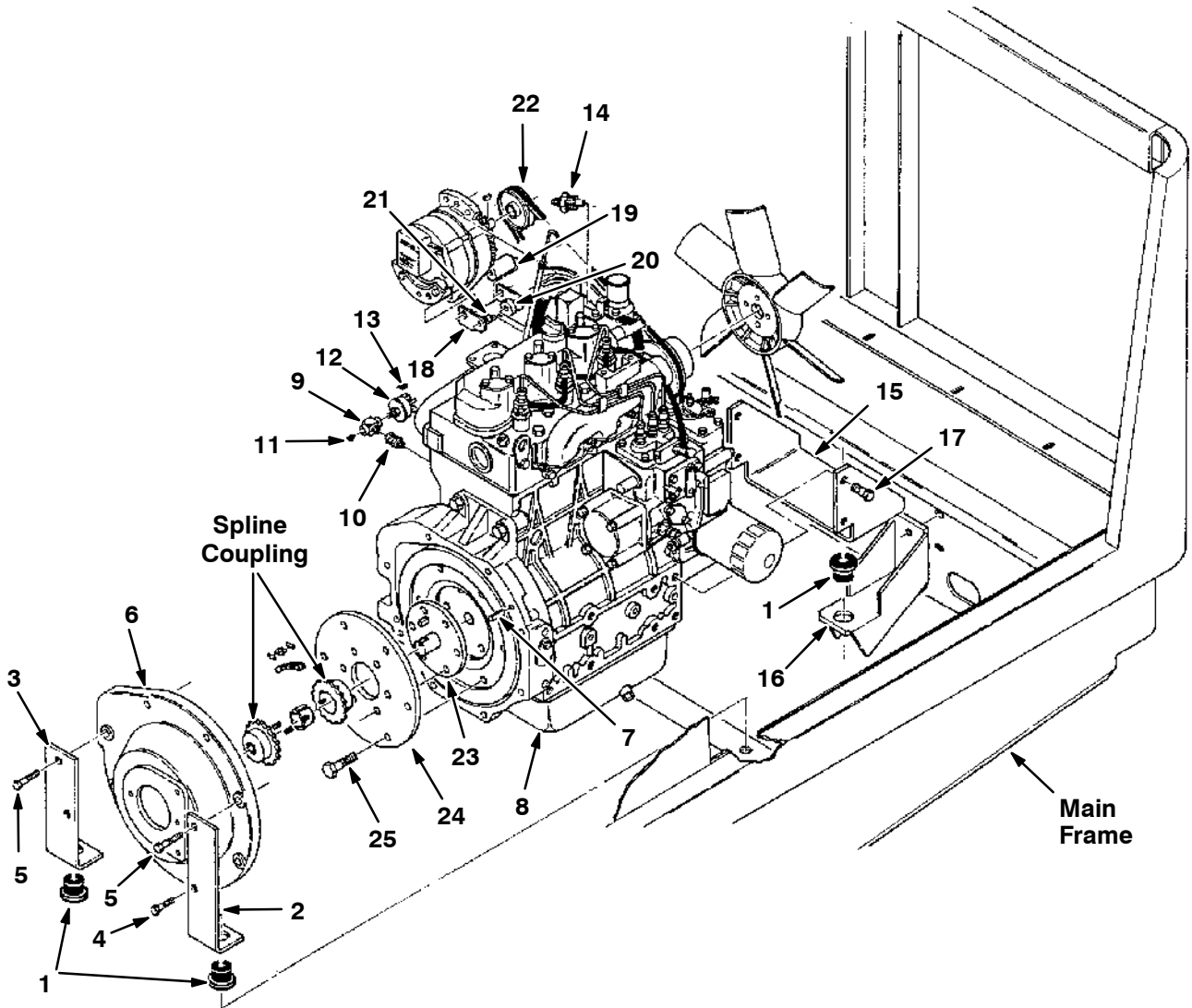


Fig. 1 – Engine Group, Diesel

Fig. 1 – Engine Group, Diesel

Key	TENNANT® Part No.	Machine Serial Number	Description	Qty.
1	51176	(010001 –)	Dampner, Engine	3
2	82567	(010001 –)	Bracket, Engine Mounting	1
3	82566	(010001 –)	Bracket, Engine Mounting	1
4	82572	(010001 –)	Screw, Hex, M10	2
5	82262	(010001 –)	Screw, Hex, M10	4
6	82557	(010001 –)	Housing, Flywheel	1
7	82579	(010001 –)	Pin, Spring	2
8	30366	(010001 –)	Engine	1
9	02961	(010001 –)	Fitting, Tee	1
10	02960	(010001 –)	Fitting, Straight	1
11	10552	(010001 –)	Fitting, Plug	1
12	51805	(010001 –)	Switch, Oil Pressure	1
13	68106	(010001 –)	Tab, Terminal	3
14	82712	(010001 –)	Sending Unit, Temperature	1
15	82565	(010001 –)	Bracket, Engine Mounting	1
16	07536	(010001 –)	Bracket, Engine Mounting	1
17	82573	(010001 –)	Screw, Hex, M12	4
18	02963	(010001 –)	Bracket, Alternator	1
19	02964	(010001 –)	Tube	1
20	02965	(010001 –)	Sleeve	1
21	62797	(010001 –)	Sleeve	1
22	24622	(010001 –)	V – Belt	1
23	07296	(010001 –)	Shaft, Flywheel Adaptor	1
24	07298	(010001 –)	Ring, Flywheel Adaptor	1
25	07299	(010001 –)	Screw, Hex, M10	6

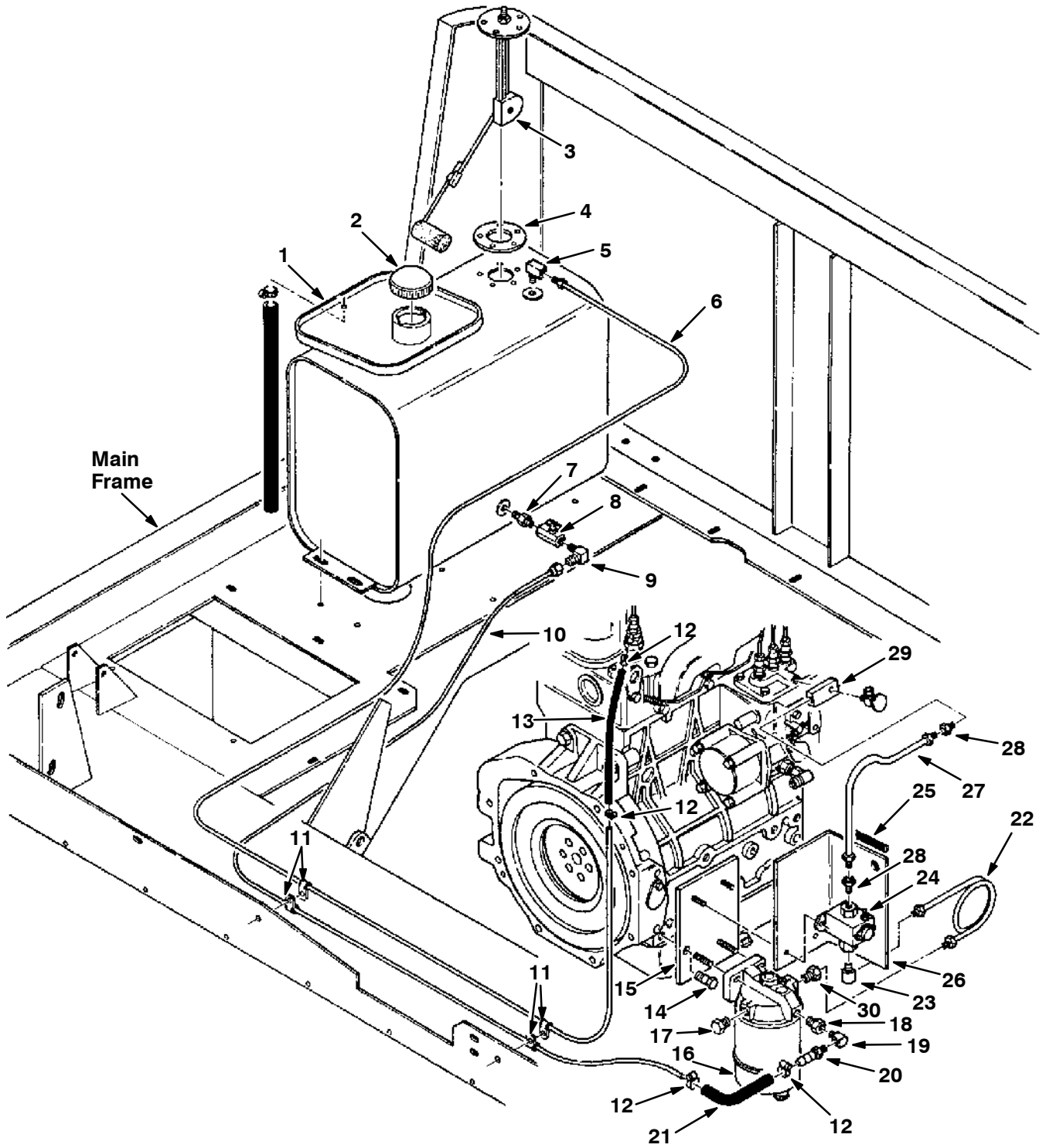


Fig. 2 – Fuel Tank Group, Diesel

Fig. 2 – Fuel Tank Group, Diesel

Key	TENNANT® Part No.	Machine Serial Number	Description	Qty.
1	82729	(010001 –)	Tank, Fuel	1
2	48267	(010001 –)	Cap, Fuel Tank	1
3	07875	(010001 –)	Sending Unit, Fuel Tank	1
4	14131	(010001 –)	Gasket	1
5	53078	(010001 –)	Fitting, Elbow	1
6	82650	(010001 –)	Tube Assembly, Return Line	1
7	47566	(010001 –)	Fitting, Straight	1
8	08873	(010001 –)	Valve, Ball	1
9	06507	(010001 –)	Fitting, Elbow	1
10	02977	(010001 –)	Tube Assembly	1
11	46236	(010001 –)	Clamp, Cable	4
12	43844	(010001 –)	Clamp, Worm Drive	4
13	82689	(010001 –)	Hose, Rubber	1
14	82573	(010001 –)	Screw, Hex, M12	2
15	82513	(010001 –)	Plate, Fuel Filter Mounting	1
16	06868	(010001 –)	Filter, Fuel Water Separator	1
	82692	(010001 –)	Element, Fuel Filter	1
17	02247	(010001 –)	Fitting, Plug	1
18	17414	(010001 –)	Fitting, Straight	1
19	24976	(010001 –)	Fitting, Elbow, 45°	1
20	48253	(010001 –)	Fitting, Straight	1
21	82686	(010001 –)	Hose, Fuel Line	1
22	06870	(010001 –)	Tube Assembly, Fuel Line	1
23	15555	(010001 –)	Fitting, Elbow	1
24	54230	(010001 –)	Pump, Fuel	1
25	50850	(010001 –)	Molding, Rigid	1
26	82512	(010001 –)	Bracket, Fuel Pump Mounting	1
27	06871	(010001 –)	Tube Assembly, Fuel Line	1
28	06869	(010001 –)	Fitting, Straight	2
29	06907	(010001 –)	Banjo, Fuel	1
30	16564	(010001 –)	Fitting, Straight	1

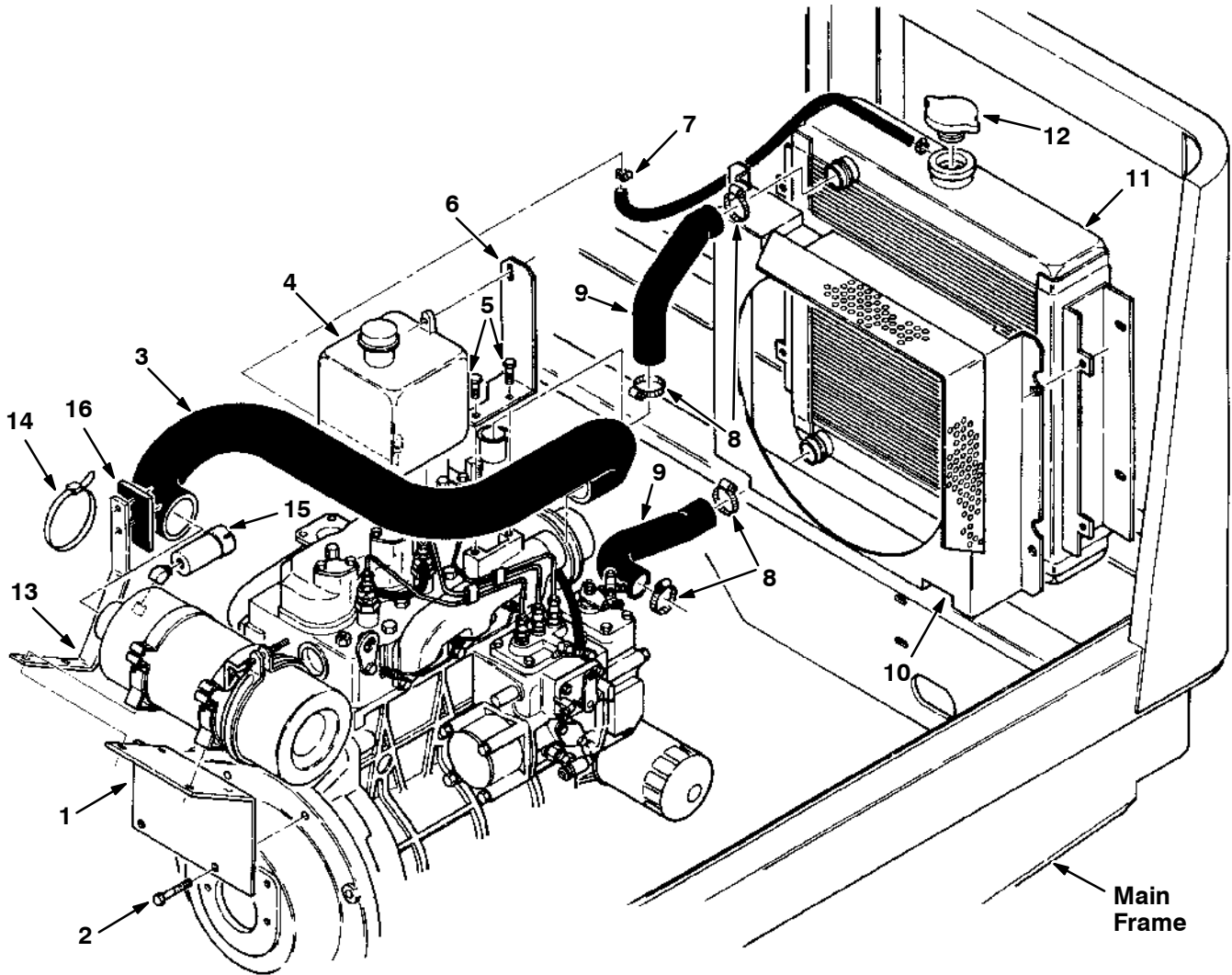


Fig. 3 – Radiator and Shroud Group, Diesel

04729

Key	TENNANT® Part No.	Machine Serial Number	Description	Qty.
1	82596	(010001-)	Bracket, Air Cleaner	1
2	82572	(010001-)	Screw, Hex, M10	2
3	82598	(010001-)	Hose, Air Intake	1
4	82694	(010001-)	Tank, Coolant Recovery	1
5	16931	(010001-)	Screw, Hex, M8	5
6	82696	(010001-)	Bracket, Tank	1
7	43844	(010001-)	Clamp, Worm Drive	2
8	11531	(010001-)	Clamp, Worm Drive	4
9	03044	(010001-)	Hose, Radiator	2
10	82257	(010001-)	Panel, Fan Shroud	1
11	82653	(010001-)	Radiator	1
12	82688	(010001-)	Cap, Radiator	1
	07674	(010001-)	Cock, Drain	1
13	03020	(010001-)	Support, Air Intake Hose	1
14	44961	(010001-)	Tie, Cable	1
15	03026	(010001-)	Indicator, Air Filter Service	1
16	06913	(010001-)	Pad, Rubber	1

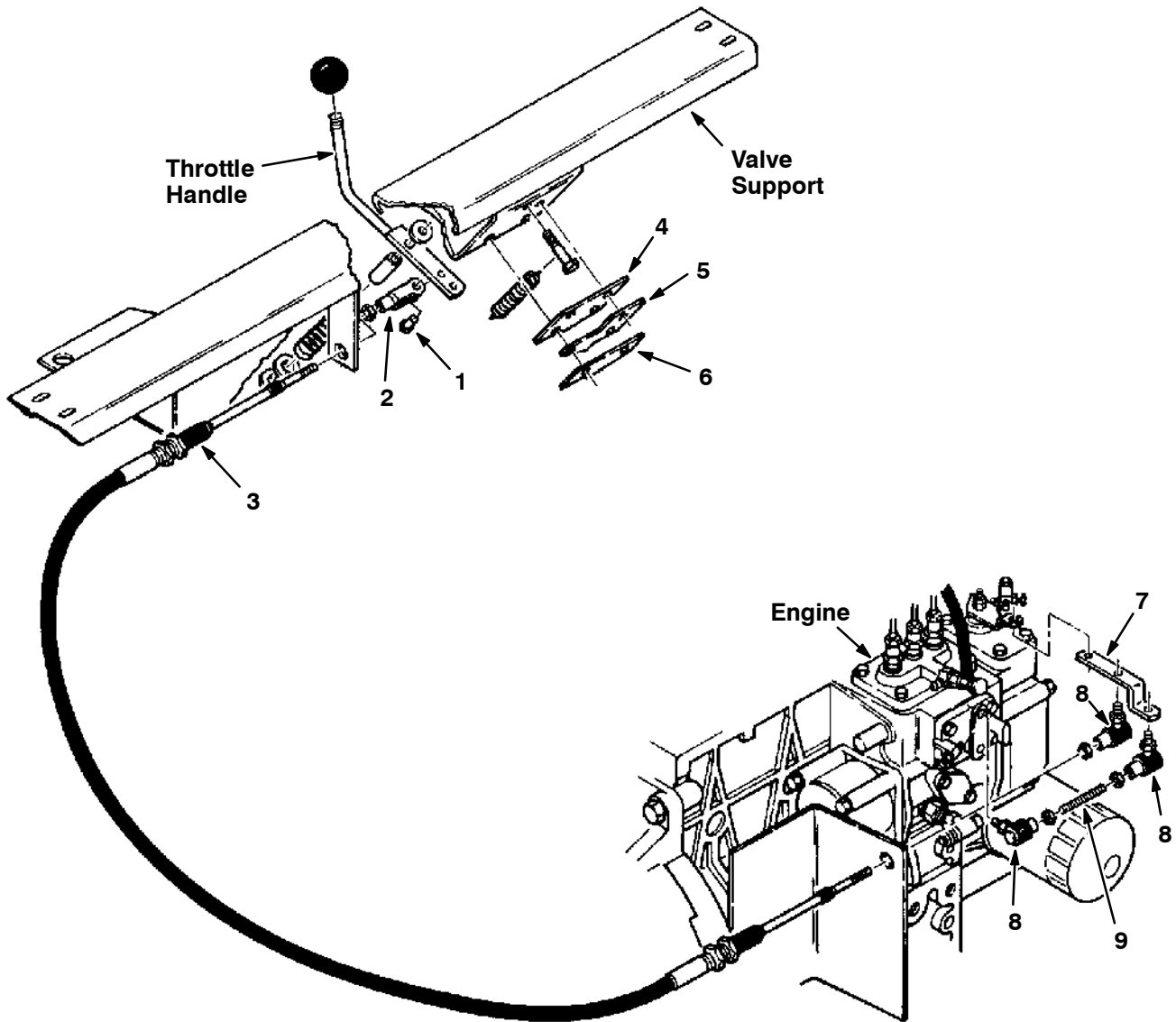


Fig. 4 – Throttle Linkage Group, Diesel

04576

Key	TENNANT® Part No.	Machine Serial Number	Description	Qty.
1	14605	(010001-)	Pin, Clevis	1
2	14595-1	(010001-)	Clevis, Adjustable	1
3	69494-2	(010001-)	Cable Assembly, Push Pull	1
4	82677	(010001-)	Plate, Stop	1
5	82563	(010001-)	Plate, Stop	1
6	82564	(010001-)	Plate, Stop	1
7	82597	(010001-)	Link, Throttle	1
8	14601	(010001-)	Ball Joint	3
9	42196	(010001-)	Stud	1

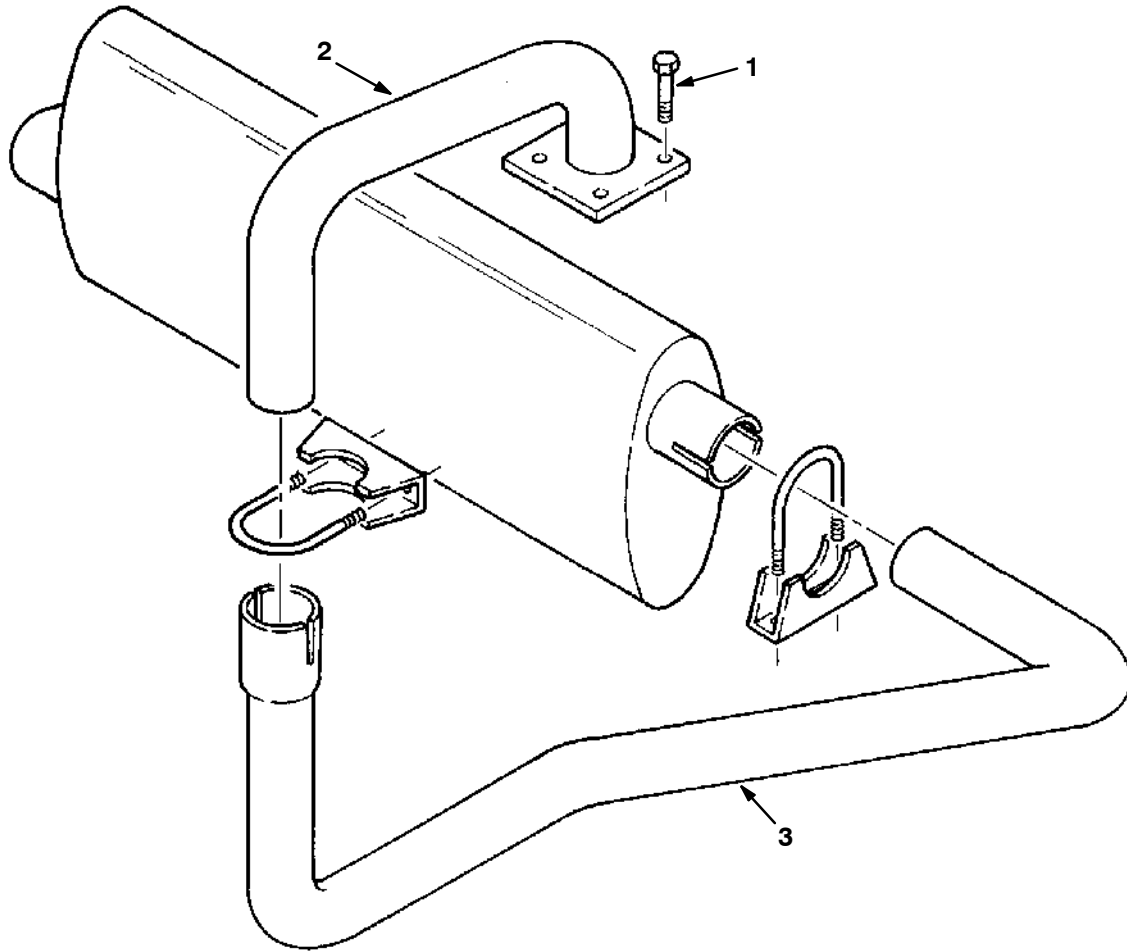


Fig. 5 – Muffler Group, Diesel

04577

Key	TENNANT® Part No.	Machine Serial Number	Description	Qty.
1	16931	(010001–)	Screw, Hex, M8	4
2	82628	(010001–)	Pipe, Exhaust	1
3	82629	(010001–)	Pipe, Exhaust	1

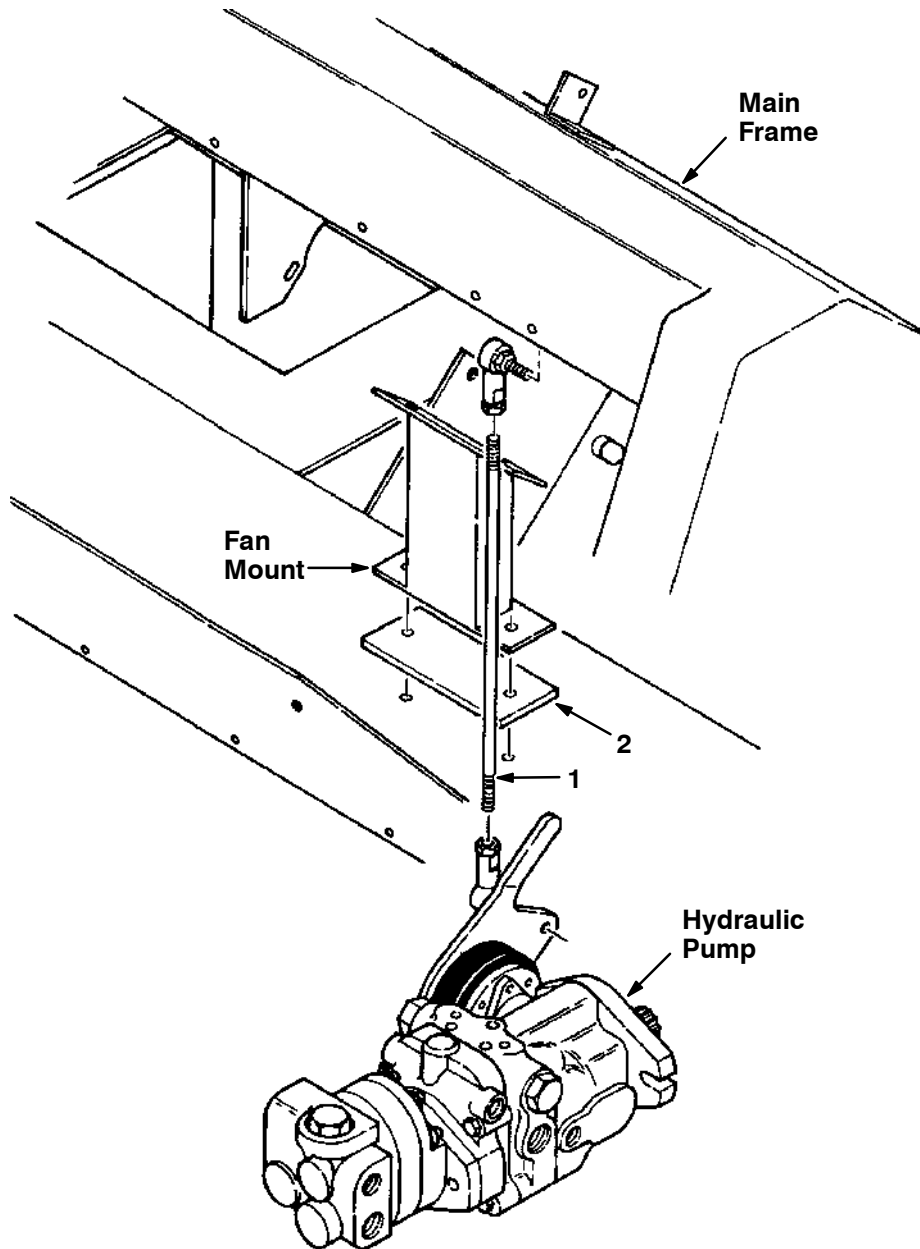


Fig. 6 – Directional Control Group, Diesel

04579

Key	TENNANT® Part No.	Machine Serial Number	Description	Qty.
1	82210	(010001–)	Stud	1
2	33796	(010001–)	Spacer, Vacuum Fan	1

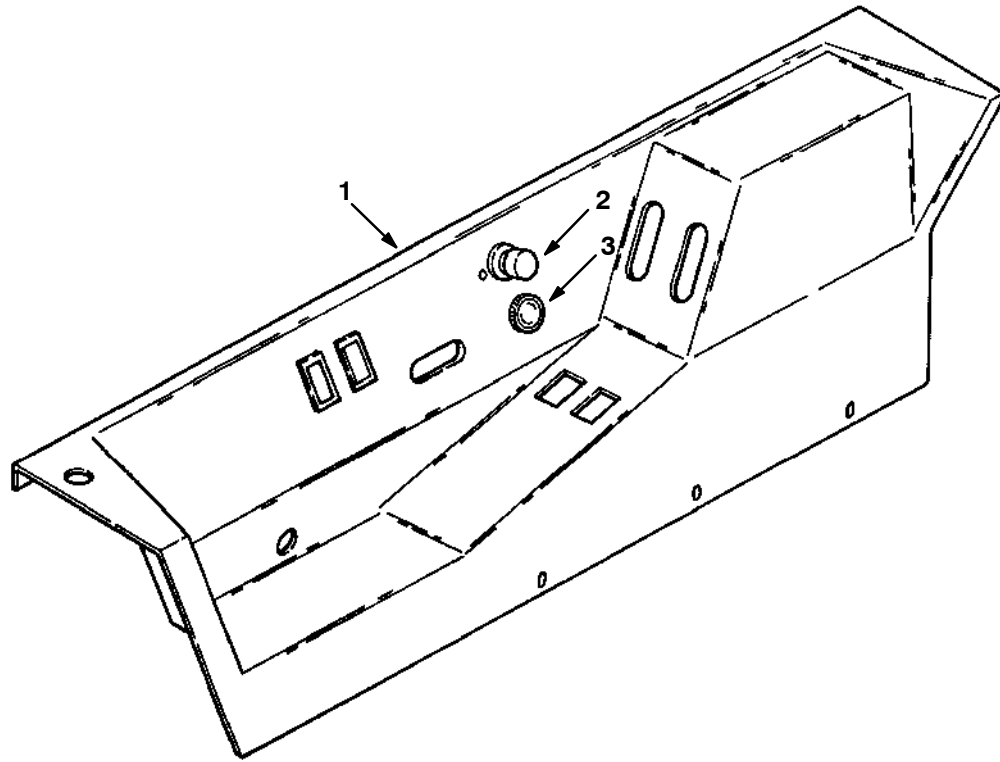


Fig. 7 – Instrument Panel Group, Diesel

04580

Key	TENNANT® Part No.	Machine Serial Number	Description	Qty.
1	07660	(010001–)	Panel, Control	1
2	44078	(010001–)	Switch, Push	1
3	82715	(010001–)	Indicator, Glow Plug	1

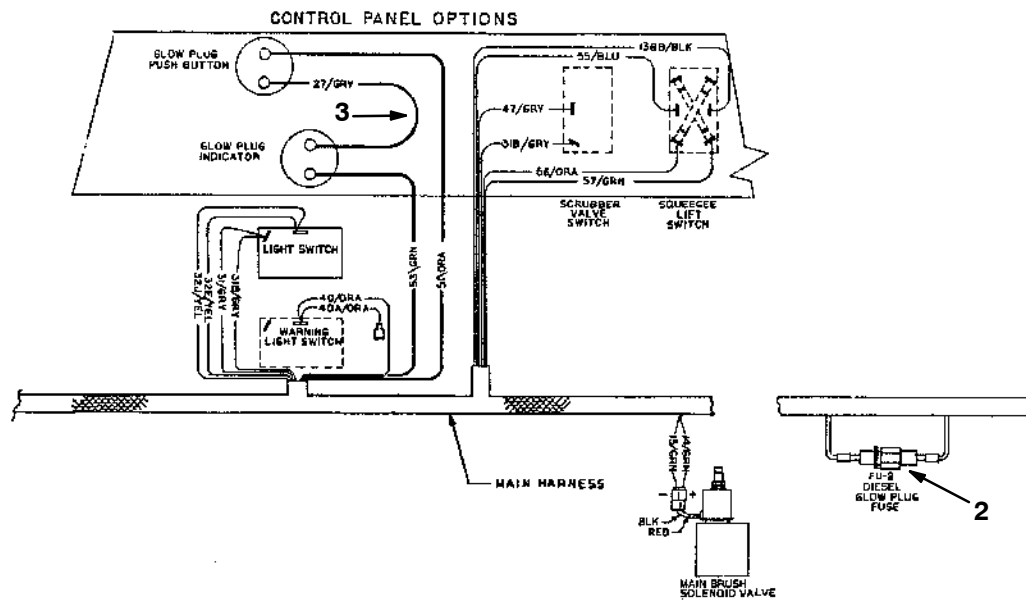
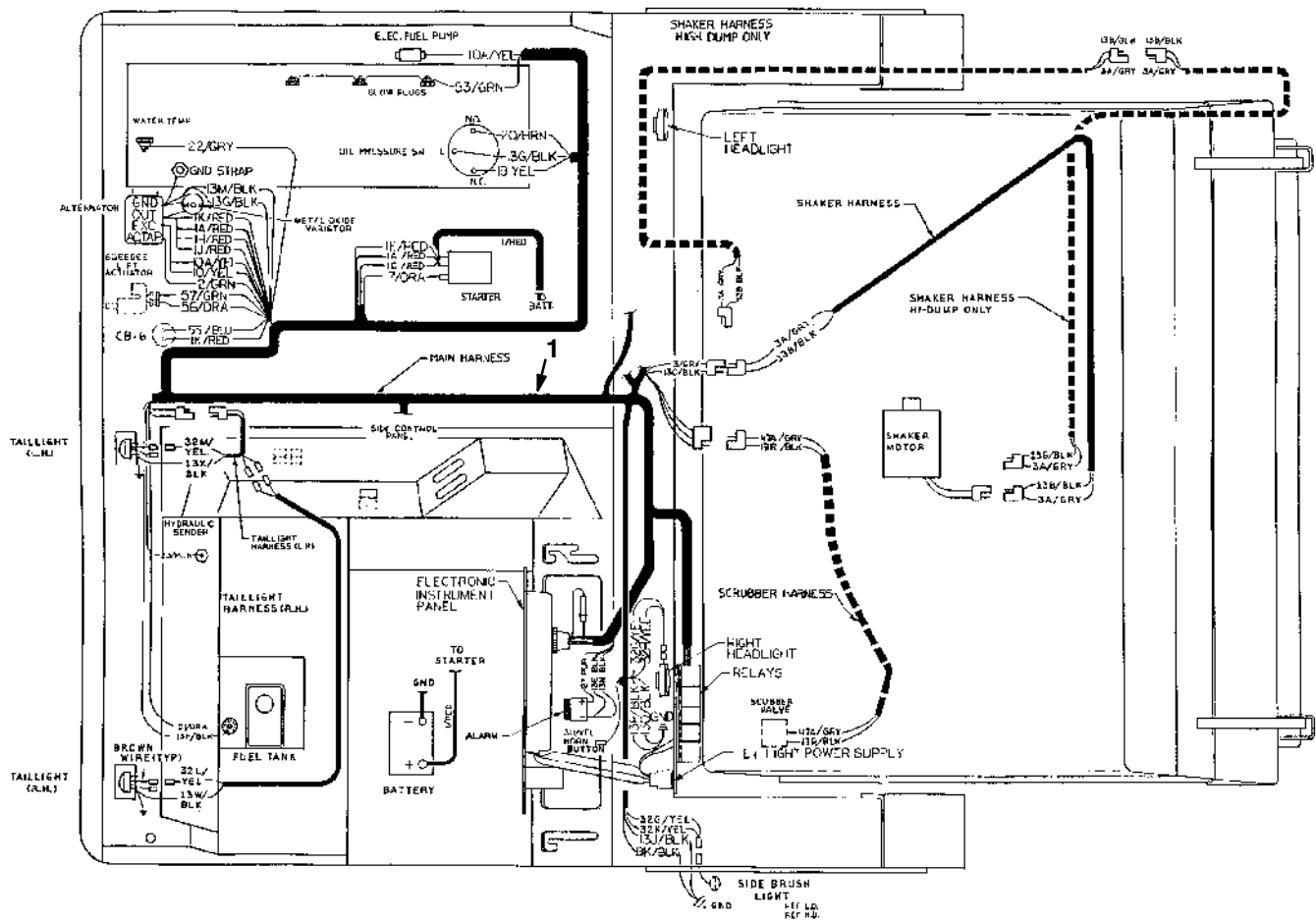


Fig. 8 – Wire Harness Group, Diesel

04497

Key	TENNANT® Part No.	Machine Serial Number	Description	Qty.
1	10885	(010001-)	Wire Harness, Main, Diesel	1
2	45975	(010001-)	Fuse, 30A	1
3	82716	(010001-)	Wire, Glow Plug Button	1

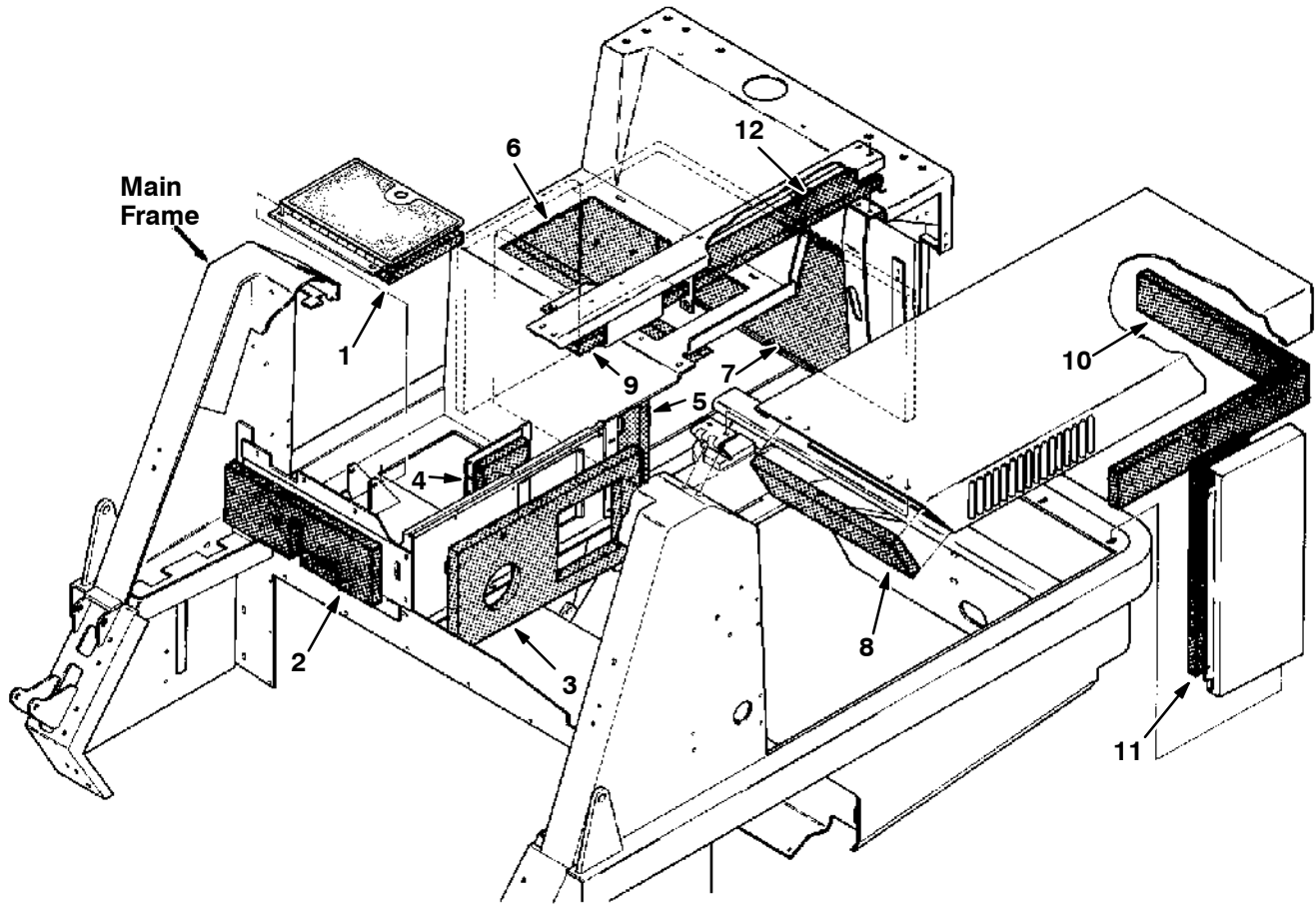
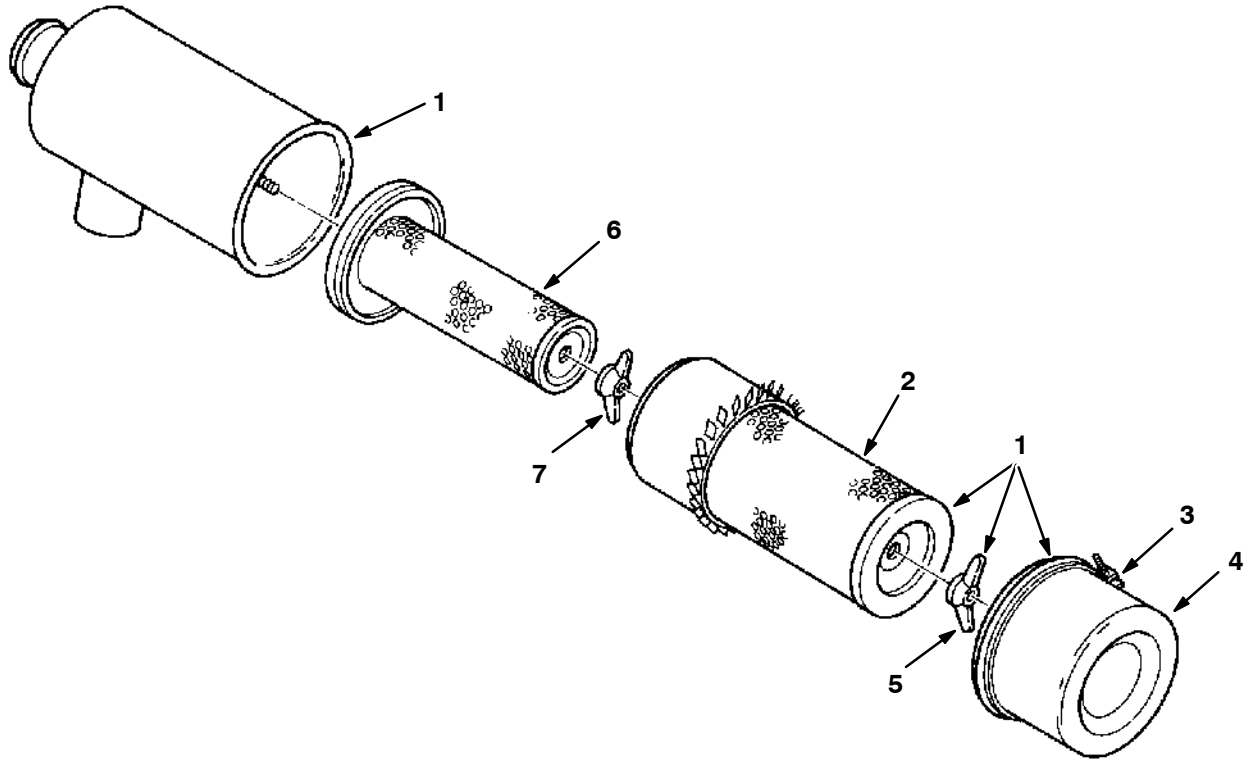


Fig. 9 – Foam Insulation Group, Diesel

04582

Key	TENNANT® Part No.	Machine Serial Number	Description	Qty.
1	03069	(010001–)	Insulation, Foam	1
2	03071	(010001–)	Insulation, Foam	1
3	03072	(010001–)	Insulation, Foam	1
4	03070	(010001–)	Insulation, Foam	1
5	03067	(010001–)	Insulation, Foam	1
6	03056	(010001–)	Insulation, Foam	1
7	03058	(010001–)	Insulation, Foam	1
8	03053	(010001–)	Insulation, Foam	1
9	03055	(010001–)	Insulation, Foam	1
10	03051	(010001–)	Insulation, Foam	1
11	03068	(010001–)	Insulation, Foam	1
12	03054	(010001–)	Insulation, Foam	1



04713

Fig. 10 – Air Cleaner Group, Diesel

Key	TENNANT® Part No.	Machine Serial Number	Description	Qty.
1	58538	(010001–)	Cleaner, Air	1
2	58120	(010001–)	Element, Air Filter	1
3	02740	(010001–)	Clamp Assembly	1
4	02741	(010001–)	Cup Assembly	1
5	07562	(010001–)	Wingnut	1
6	58121	(010001–)	Element, Air Filter Safety	1
7	07562	(010001–)	Wingnut	2

CONTENTS

	Page
ORDERING REPAIR PARTS	7-3
Fig. 1 – Main Frame Group, Multi-Level Dump	7-4
Fig. 2 – Hopper Door Assembly, Multi-Level Dump	7-5
Fig. 3 – Hopper Group, Multi-Level Dump	7-6
Fig. 4 – Hopper Lift Arms Group, Multi-Level Dump	7-8
Fig. 5 – Hopper Cover and Filter Carrier Group, Multi-Level Dump	7-10
Fig. 6 – Hydraulic Lift Cylinder Group, Multi-Level Dump	7-11
Fig. 7 – Stabilizer Leg Group, Multi-Level Dump	7-12
Fig. 8 – Side Brush Group, Multi-Level Dump	7-13
Fig. 9 – Main Brush Lift Group, Multi-Level Dump	7-14
Fig. 10 – Hydraulic Hoses Group, Multi-Level Dump	7-15
Fig. 11 – Hydraulic Control Valve Group, Multi-Level Dump	7-16
Fig. 12 – Wire Harnesses Group, Multi-Level Dump	7-17
Fig. 13 – Pressure Switch Group, Multi-Level Dump	7-18

NOTE: SECTION 7, MULTI-LEVEL DUMP MODEL PARTS, lists repair parts unique to an multi-level dump model machine.

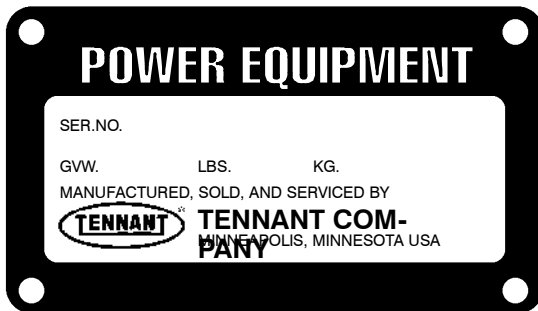
ORDERING REPAIR PARTS

The components used in this machine have been carefully selected for performance and safety. Use only Tennant Company specified or equivalent parts.

To receive prompt service in filling of your parts orders, please direct all orders for parts with Tennant Company part numbers to the Tennant Company, and all orders for parts with vendor part numbers to the local supplier of the respective vendor.

When ordering parts, please furnish all of the following information:

1. Machine model number - shown on the machine data plate.



2. Machine serial number - shown on the machine data plate.
3. Power source - gasoline, LPG, diesel, electric.
4. Company name.
5. Shipping address.
6. Billing address.
7. Name, first and last - of person ordering parts.
8. Telephone number.
9. Purchase order number.
10. Part number, description, and quantity - of each item on the order.

Do not order parts by key number or the figure number of the illustrated parts. Indented items indicate parts of assemblies. Standard hardware is furnished only when part of a purchased assembly. Please get hardware from a local hardware supplier.

If the old part cannot be identified, send it to us with the quantity needed specified on the order.

Any claim for loss or damage to a shipment in transit should be filed promptly against the transportation company making the delivery. Shipments will be complete unless the packing list or order acknowledgement indicate items back ordered.

If parts received are suspected to be incorrect or defective, please write, wire, or phone the Tennant Company representative from whom you ordered the part. They will give authorization for return and/or handle replacement shipments when required.

SERIAL NUMBER INFORMATION EXPLANATION

Serial number listings are shown to indicate on which machines each part can be used. These listings are explained by the following examples:

(000000-) The part can be used on all machines.

(003342-) The part can be used on all machines beginning with the serial number listed.

(000000-004320) The part can be used on all machines up to and including serial number listed.

(004321-005678) The part can be used on all machines between and including the serial numbers listed.

Where xxxxx's are listed in place of a serial number, it indicates a change was made but the exact serial number had not been established when the catalog went to press.

SI UNITS OF MEASURE (INTERNATIONAL SYSTEM)

Metric equivalents have been included, where applicable, throughout this parts catalog.

FASTENER STRENGTH IDENTIFICATION

Fasteners required to have high-strength qualities equivalent to SAE Grade 8 are identified throughout this catalog by the description GR 8. Unless identified by this description, all standard fasteners are SAE Grade 5.

(Specifications and design subject to change without notice.)

MULTI-LEVEL DUMP MODEL PARTS

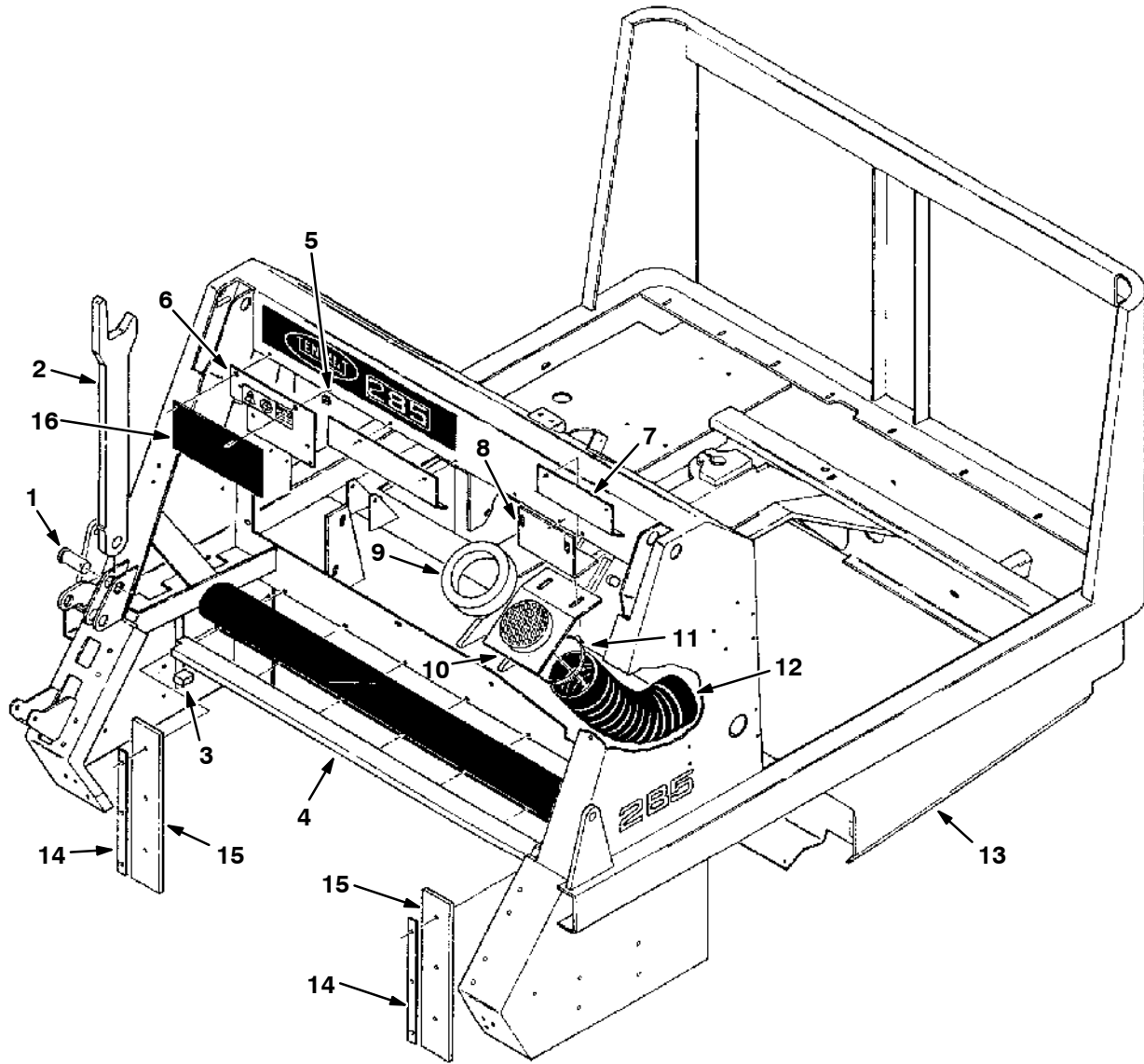


Fig. 1 – Main Frame Group, Multi-Level Dump

04493

Key	TENNANT® Part No.	Machine Serial Number	Description	Qty.
1	36994	(010001-)	Pin, Clevis	1
2	82193	(010001-)	Arm Assembly, Safety	1
3	54338-6	(010001-)	Seal, Foam Rubber	2
4	50446	(010001-)	Retainer, Hopper Top Seal	1
5	82138	(010001-)	Nut, Retainer	1
6	10872	(010001-)	Shield, Spray	6
7	82776	(010001-)	Shield, Spray	1
8	82394	(010001-)	Angle, Vacuum Hose Adjustment	1
9	82425	(010001-)	Seal, Vacuum Fan Inlet	1
10	82393	(010001-)	Connection, Vacuum Hose	1
11	23498	(010001-)	Clamp, Worm Drive	1
12	51768A	(010001-)	Hose	1
13	07485	(010001-010749)	Frame, Main	1
13	30346	(010750-)	Frame, Main	1
14	23384-2	(010001-)	Strip	2
15	23382	(010001-)	Seal, Side	6
16	10871	(010001-)	Shield, Rubber Splash	1

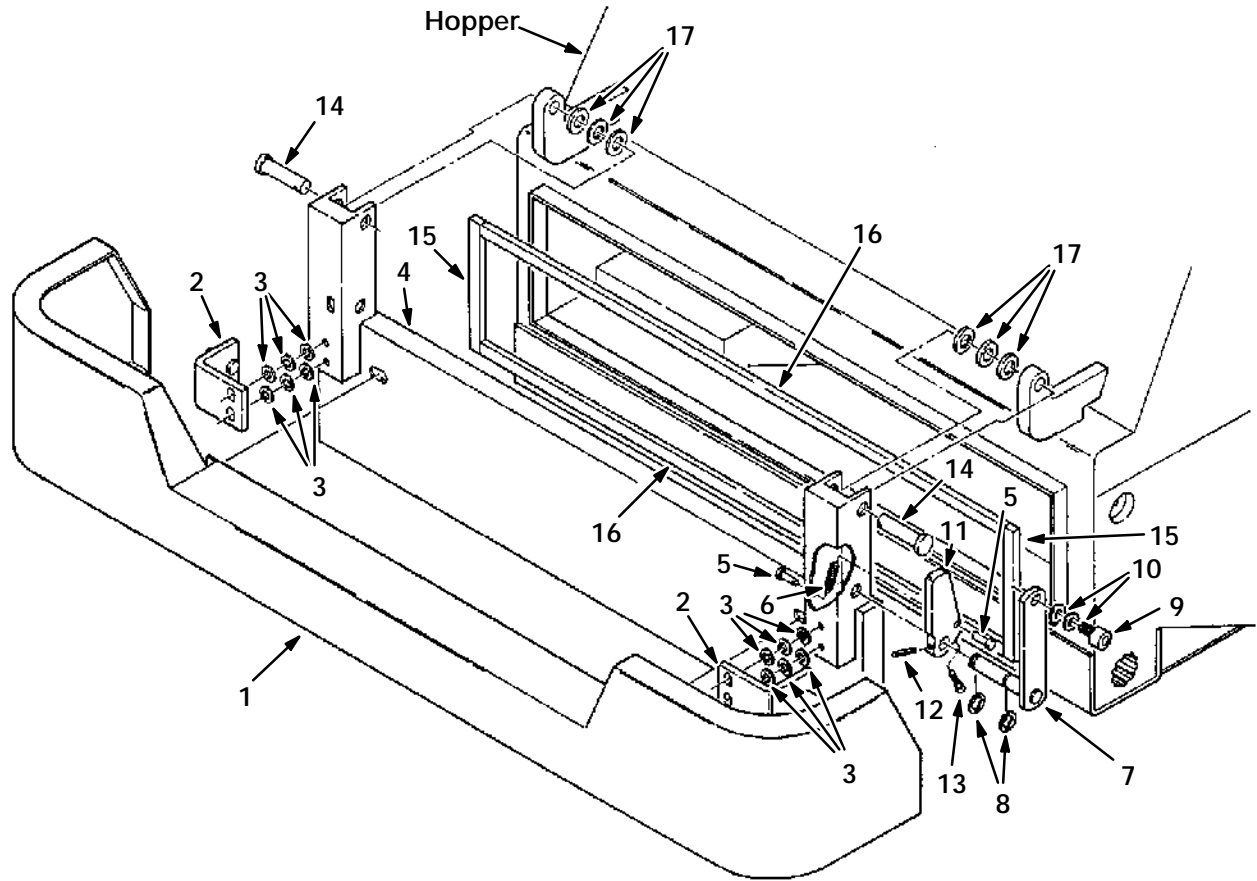


Fig. 2 -- Hopper Door Assembly, Multi--Level Dump

04746

Key	TENNANT® Part No.	Machine Serial Number	Description	Qty.
1	82496	(010001-)	Bumper, Front	1
2	36984	(010001-)	Bracket, Door Latch	2
3	32492	(010001-)	Washer	12
4	35669	(010001-)	Door Assembly, Hopper	1
	35526	(010001-)	Door, Hopper	1
5	82168	(010001-)	Pin, Clevis	2
6	28387	(010001-)	Spring, Tension	1
7	37073	(010001-)	Shaft, Pivot	1
8	23788-1	(010001-)	Ring, Retaining	2
9	48930	(010001-)	Cam, Follower	1
10	32486	(010001-)	Washer	2
11	37074	(010001-)	Brace, Hopper Door	1
12	46585	(010001-)	Pin, Roll	1
13	01681	(010001-)	Screw, Socket	1
14	04733-3	(010001-)	Pin, Clevis	2
15	37055	(010001-)	Seal, Foam Rubber	2
16	37054	(010001-)	Seal, Foam Rubber	2
17	35540	(010001-)	Shim, Washer	6

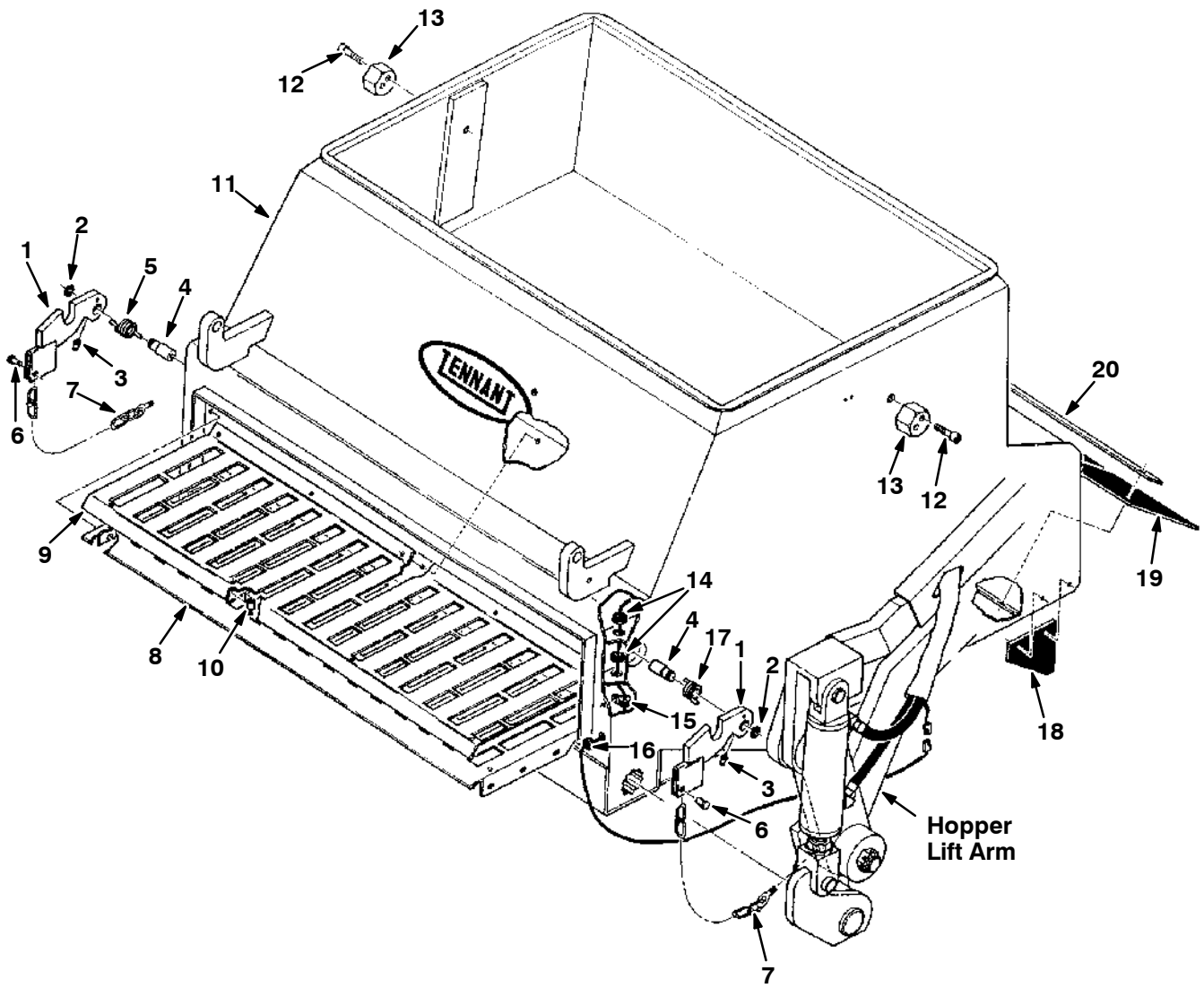


Fig. 3 – Hopper Group, Multi-Level Dump

Fig. 3 – Hopper Group, Multi-Level Dump

Key	TENNANT® Part No.	Machine Serial Number	Description	Qty.
1	82501	(010001-)	Latch, Door	2
2	18136	(010001-)	Ring, Retaining	2
3	07259	(010001-)	Fitting, Grease	2
4	82500	(010001-)	Shaft, Pivot	2
5	48928	(010001-)	Spring, Torsion, R.H.	1
6	10120	(010001-)	Pin, Clevis	2
7	32448	(010001-)	Chain and Eye Bolt Assembly	2
8	82476	(010001-)	Baffle, Lower	1
9	82477	(010001-)	Baffle, Upper	1
10	82483	(010001-)	Tube, Spacer	4
11	02668	(010001-)	Hopper	1
12	82423	(010001-)	Screw, Socket	2
13	82421	(010001-)	Cam, Positioning	2
14	10632-4	(010001-)	Grommet, Rubber	2
15	26395-2	(010001-)	Clamp, Cable	1
16	10632-11	(010001-)	Grommet, Rubber	1
17	48927	(010001-)	Spring, Torsion, L.H.	1
18	37021	(010001-)	Lip, Side	2
19	35607	(010001-)	Lip Assembly	5
20	53758	(010001-)	Strip	1

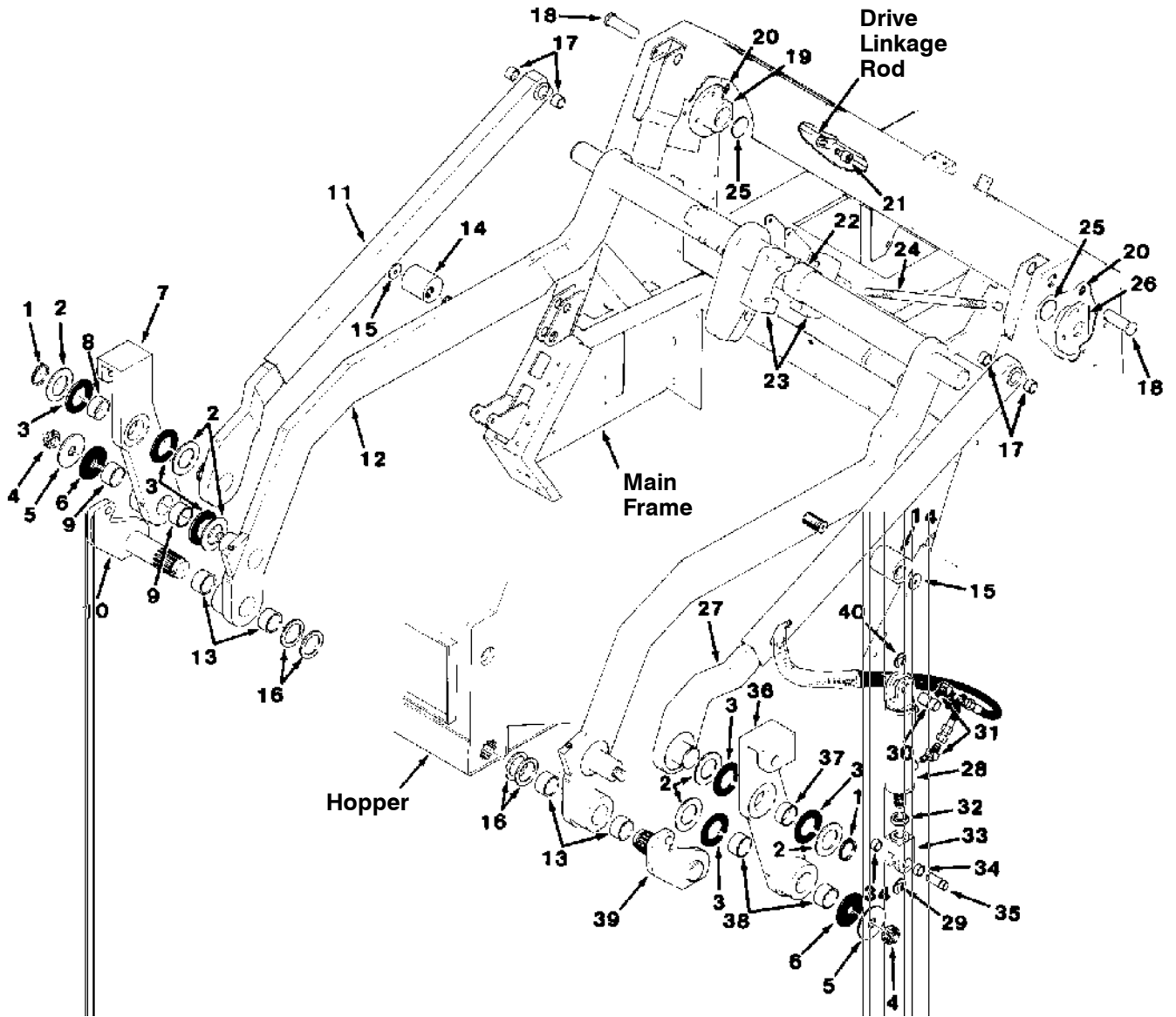


Fig. 4 – Hopper Lift Arms Group, Multi-Level Dump

Fig. 4 – Hopper Lift Arms Group, Multi-Level Dump

Key	TENNANT Part No.	Machine Serial Number	Description	Qty.
1	35686	(010001-)	Ring, Retaining	2
2	35615	(010001-)	Washer	6
3	37139	(010001-)	Bearing, Thrust	6
4	14242	(010001-)	Nut, Slotted Hex	2
5	35614	(010001-)	Washer	2
6	35666	(010001-)	Bearing, Thrust	2
7	35621-1	(010001-)	Arm Assembly, Front Pivot, R.H.	1
8	35665	(010001-)	Bearing, Journal	1
9	35561	(010001-)	Bearing, Journal	2
10	35640	(010001-)	Shaft, Torque, R.H.	1
11	82610	(010001-)	Arm, Upper, R.H.	1
12	82194	(010001-)	Arm Assembly, Hopper	1
13	35561	(010001-)	Bearing, Journal	4
14	33541	(010001-)	Hub, Splined	2
15	36996	(010001-)	Washer	2
16	32125	(010001-)	Washer	6
17	35688	(010001-)	Bearing, Journal	4
18	34410	(010001-)	Pin, Clevis	2
19	35631	(010001-)	Bearing, R.H.	1
20	47801	(010001-)	Fitting, Grease	2
21	48930	(010001-)	Cam, Follower	1
22	35668	(010001-)	Bearing, Journal	1
23	35630	(010001-)	Bearing	1
24	35595	(010001-)	Stud	1
25	23138	(010001-)	Shim	6
26	35631-1	(010001-)	Bearing, L.H.	1
27	82611	(010001-)	Arm, Upper, L.H.	1
28	04471	(010001-)	Cylinder, Hydraulic (See Hydraulic Components)	2
29	23788-1	(010001-)	Ring, Retaining	2
30	23145	(010001-)	Pin, Clevis	2
31	34359	(010001-)	Fitting, Elbow, 45°	4
32	48988	(010001-)	Nut, Hex	2
33	37015	(010001-)	Clevis	2
34	37014	(010001-)	Bearing, Journal	2
35	37016	(010001-)	Pin, Grooved	2
36	35620-1	(010001-)	Arm Assembly, Front Pivot, L.H.	1
37	35665	(010001-)	Bearing, Journal	1
38	35561	(010001-)	Bearing, Journal	2
39	35636	(010001-)	Shaft, Torque, L.H.	1
40	23788	(010001-)	Ring, Retaining	2

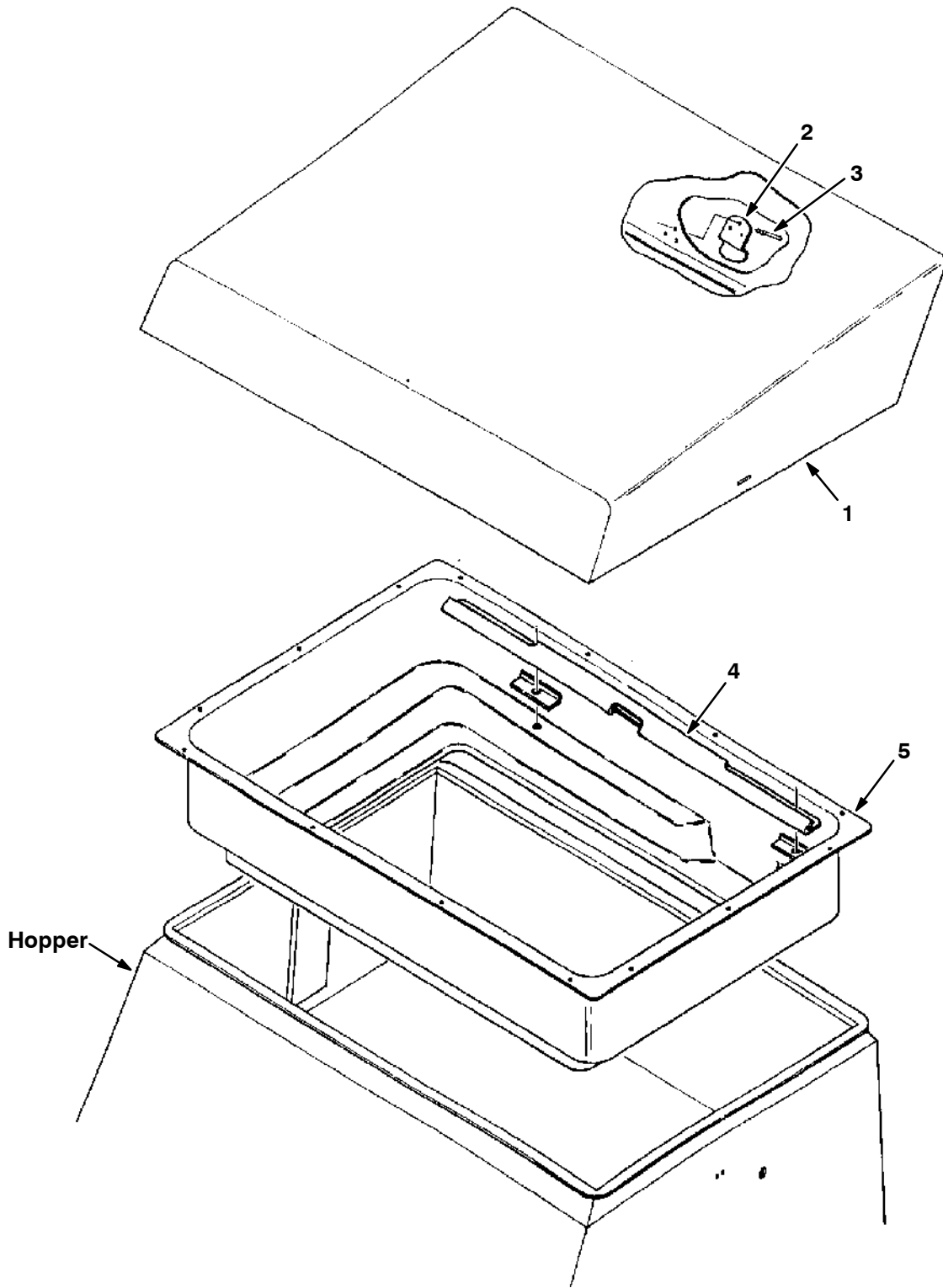


Fig. 5 – Hopper Cover and Filter Carrier Group, Multi-Level Dump

04732

Key	TENNANT Part No.	Machine Serial Number	Description	Qty.
1	02677	(010001-)	Cover, Hopper and Filter	1
2	02716	(010143-)	Clip, Cover Retainer	1
3	34738	(010143-)	Rivet	3
4	82452	(010001-)	Bracket, Filter Retainer	1
5	82451	(010001-)	Carrier, Filter	1

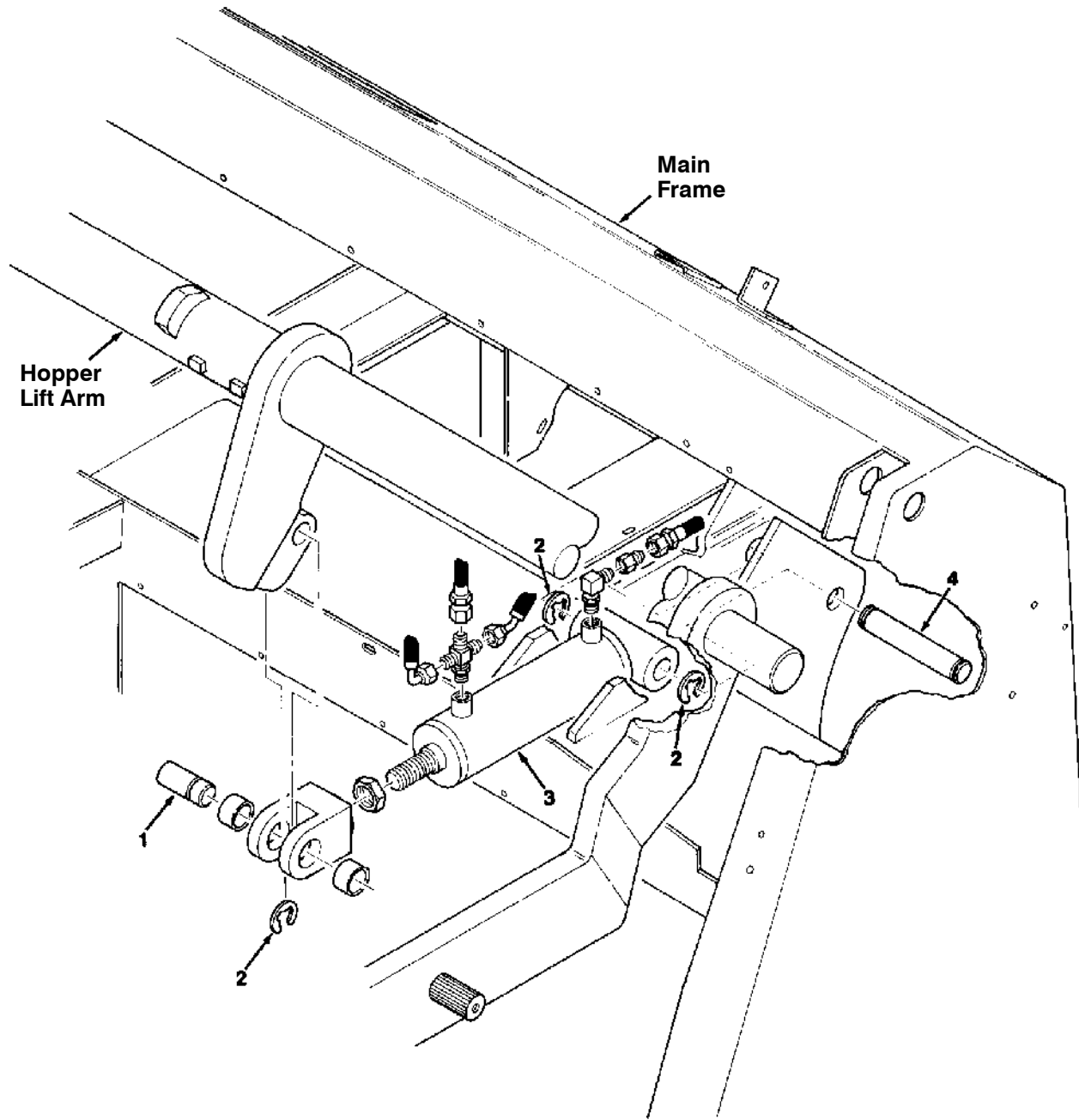


Fig. 6 – Hydraulic Lift Cylinder Group, Multi-Level Dump

04594

Key	TENNANT Part No.	Machine Serial Number	Description	Qty.
1	32941	(010001 –)	Pin, Grooved	1
2	23788	(010001 –)	Ring, Retaining	3
3	82757	(010001 –)	Cylinder, Hydraulic (See Hydraulic Components)	1
4	35515	(010001 –)	Pin, Grooved	1

MULTI-LEVEL DUMP MODEL PARTS

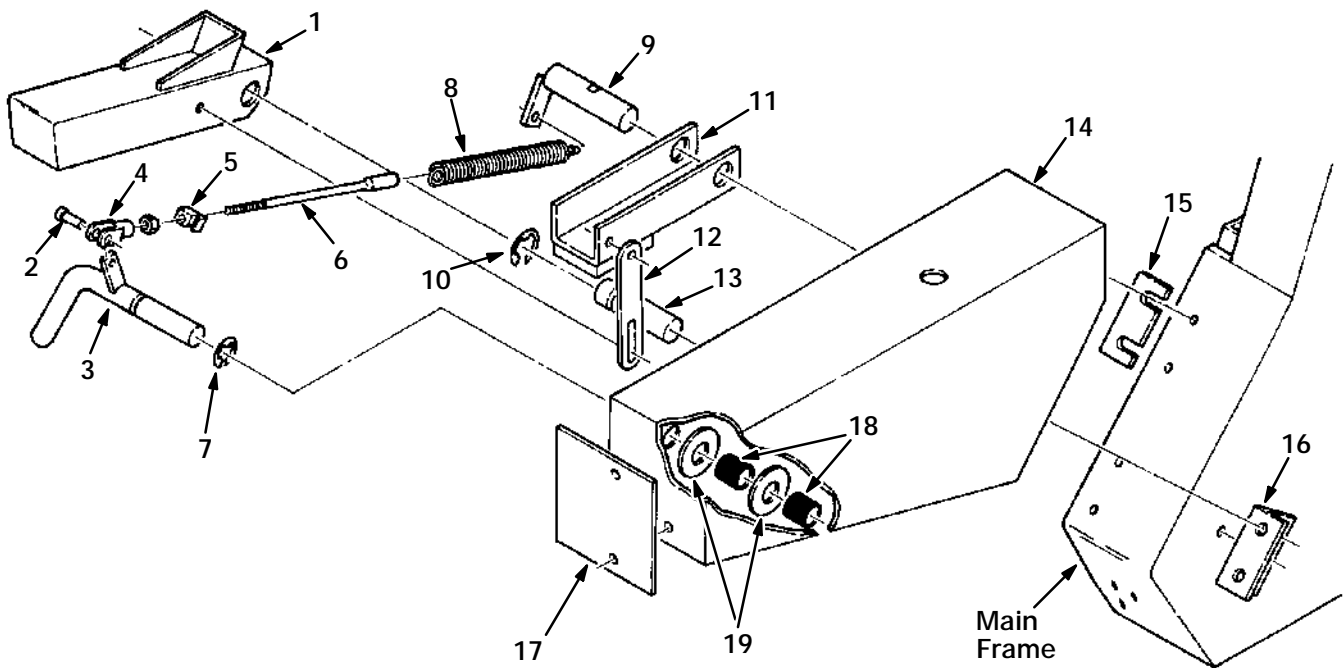


Fig. 7 -- Stabilizer Leg Group, Multi--Level Dump

04596

Key	TENNANT Part No.	Machine Serial Number	Description	Qty.
1	35591	(010001-)	Leg, Safety	1
2	51727	(010001-)	Pin, Clevis	1
3	33568	(010001-)	Lever, Stabilizer Leg	1
4	14595-1	(010001-)	Clevis, Adjustable	1
5	33565	(010001-)	Lug, Spring Adjustment	1
6	33563	(010001-)	Rod, Spring Adjustment	1
7	23788-1	(010001-)	Ring, Retaining	1
8	33523	(010001-)	Spring, Tension	1
9	33763	(010001-)	Shaft, Safety Leg Stop	1
10	23788	(010001-)	Ring, Retaining	1
11	35533	(010001-)	Support, Safety Leg	1
12	35527	(010001-)	Link	1
13	36972	(010001-)	Pin, Grooved	1
14	32282	(010001-)	Bumper, L.H.	1
15	14895	(010001-)	Shim	1
16	82189	(010001-)	Bracket, L	1
17	48951-1	(010001-)	Plate, End	4
18	36663	(010001-)	Sleeve, Rubber	2
19	32495	(010001-)	Washer	2

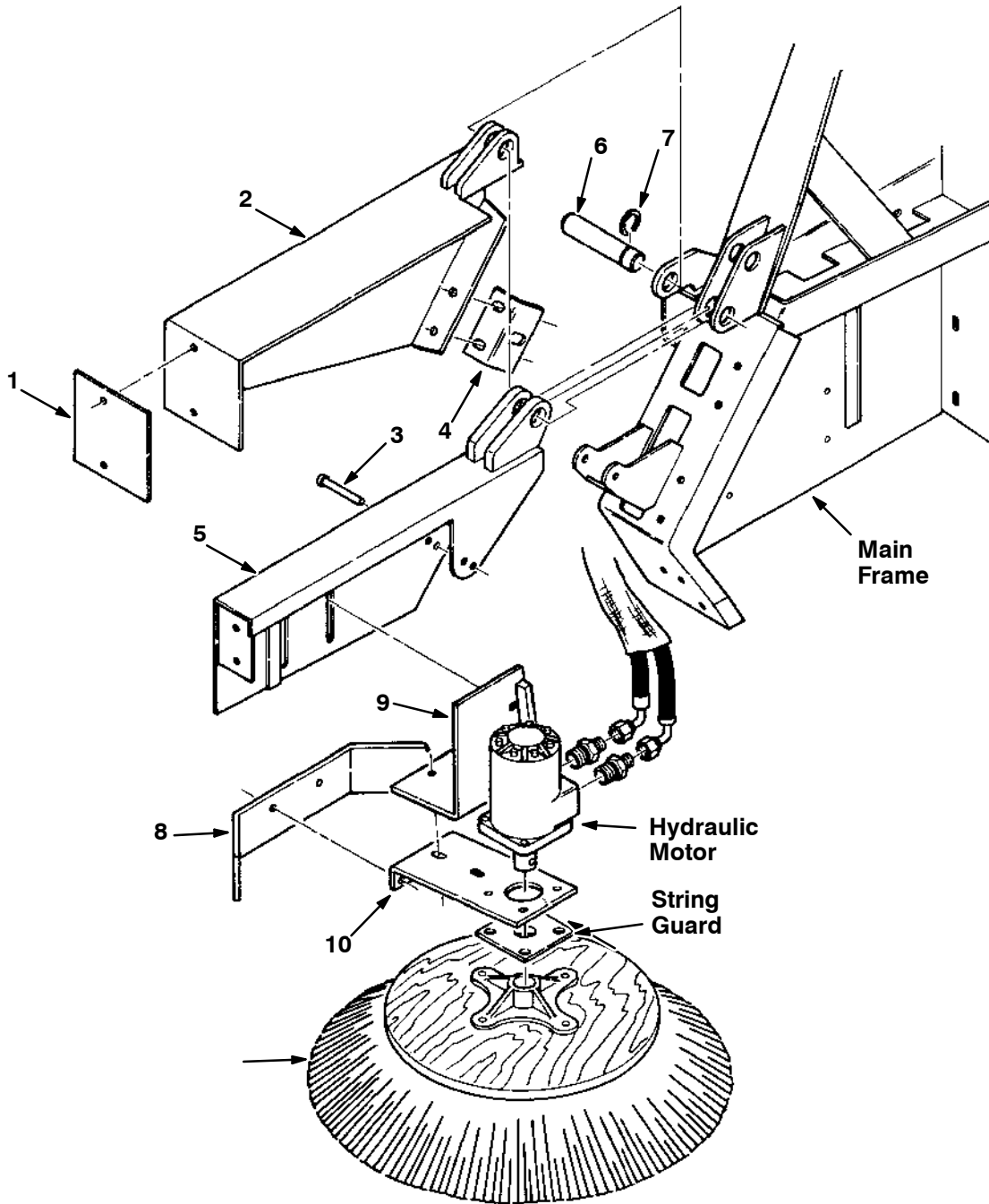


Fig. 8 – Side Brush Group, Multi-Level Dump

04600

Key	TENNANT Part No.	Machine Serial Number	Description	Qty.
1	48951-1	(010001-)	Plate, End	1
2	36958	(010001-)	Bumper, R.H.	1
3	23191	(010001-)	Pin, Clevis	1
4	82189	(010001-)	Bracket, L	1
5	55662	(010001-)	Arm, Brush	1
6	36993	(010001-)	Pin, Grooved	1
7	23788	(010001-)	Ring, Retaining, E	1
8	82273	(010001-)	Bumper, Side Brush	1
9	02482	(010001-)	Bracket, Bumper	1
10	82272	(010001-)	Bracket, Motor Mounting	1

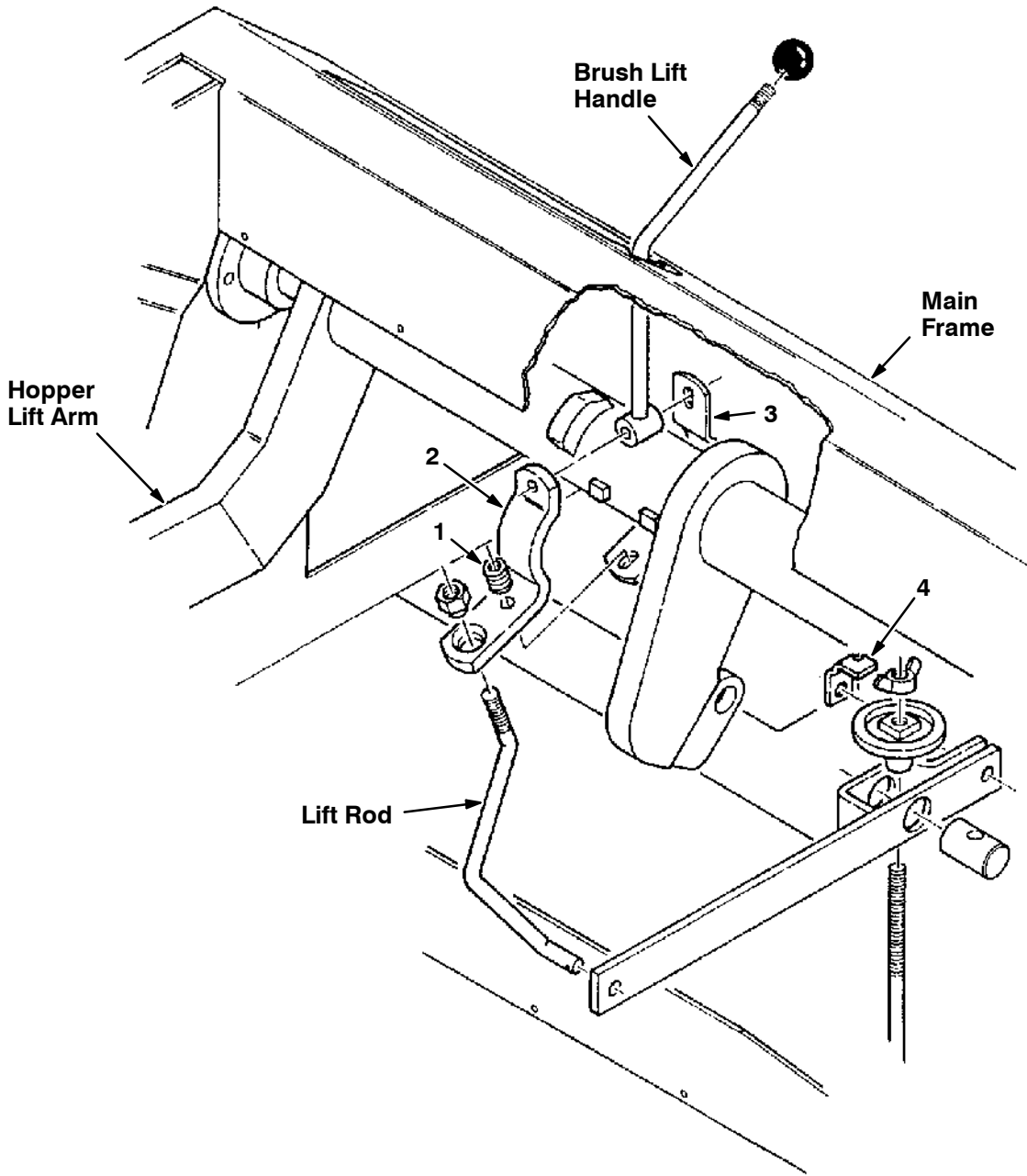


Fig. 9 – Main Brush Lift Group, Multi-Level Dump

05669

Key	TENNANT Part No.	Machine Serial Number	Description	Qty.
1	14174	(010001-)	Spring, Compression	1
2	53907	(010001-)	Lever, Lift Handle	1
3	53899	(010001-)	Clip, Lift Handle	1
4	35593	(010001-)	Bracket, Cable	1

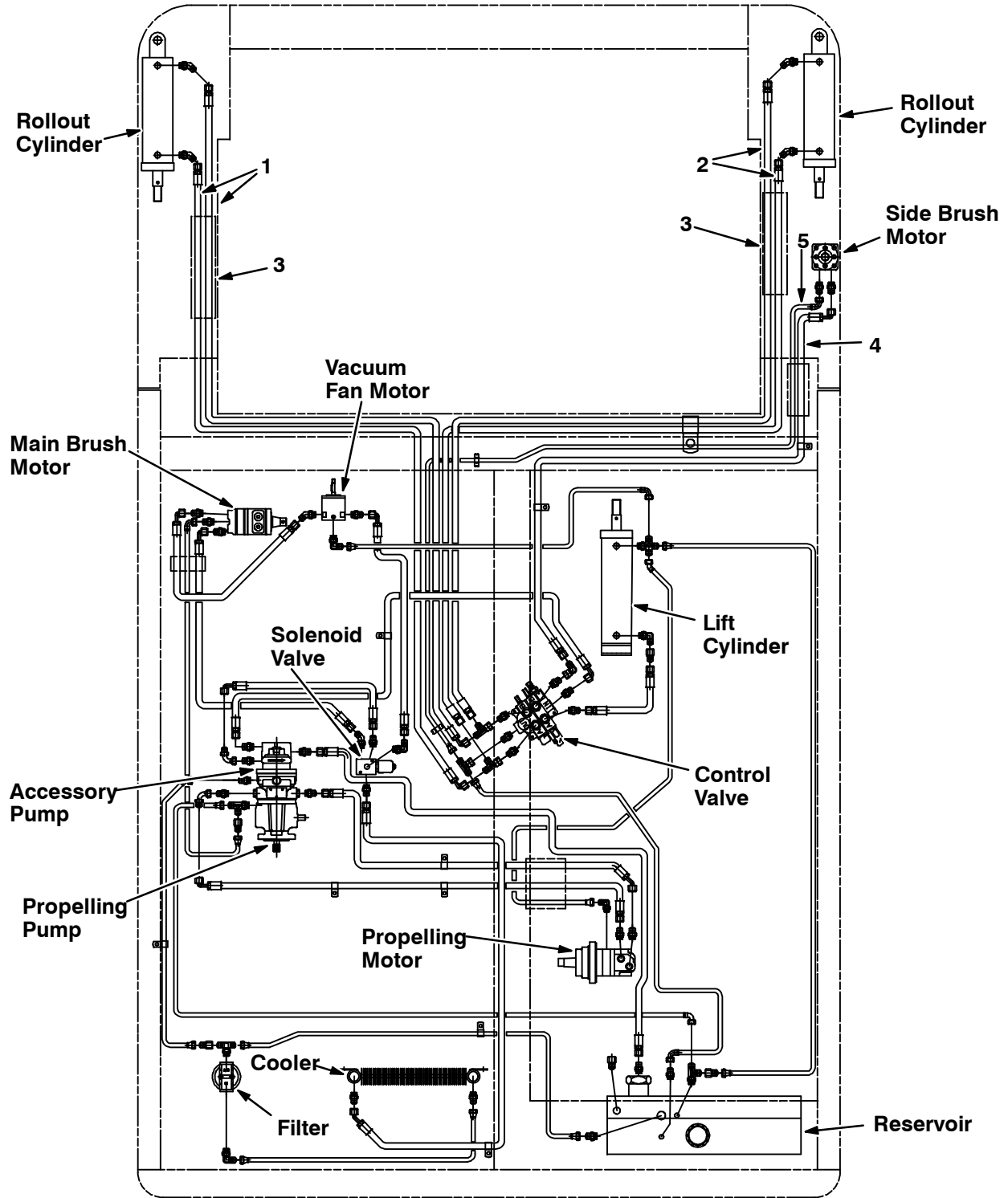


Fig. 10 – Hydraulic Hoses Group, Multi-Level Dump

04605

Key	TENNANT® Part No.	Machine Serial Number	Description	Qty.
1	82817	(010001 –)	Hose, Hydraulic	2
2	82815	(010001 –)	Hose, Hydraulic	2
3	82834	(010001 –)	Sleeve, Nylon	2
4	82816	(010001 –)	Hose, Hydraulic	1
5	82808	(010001 –)	Hose, Hydraulic	1

MULTI-LEVEL DUMP MODEL PARTS

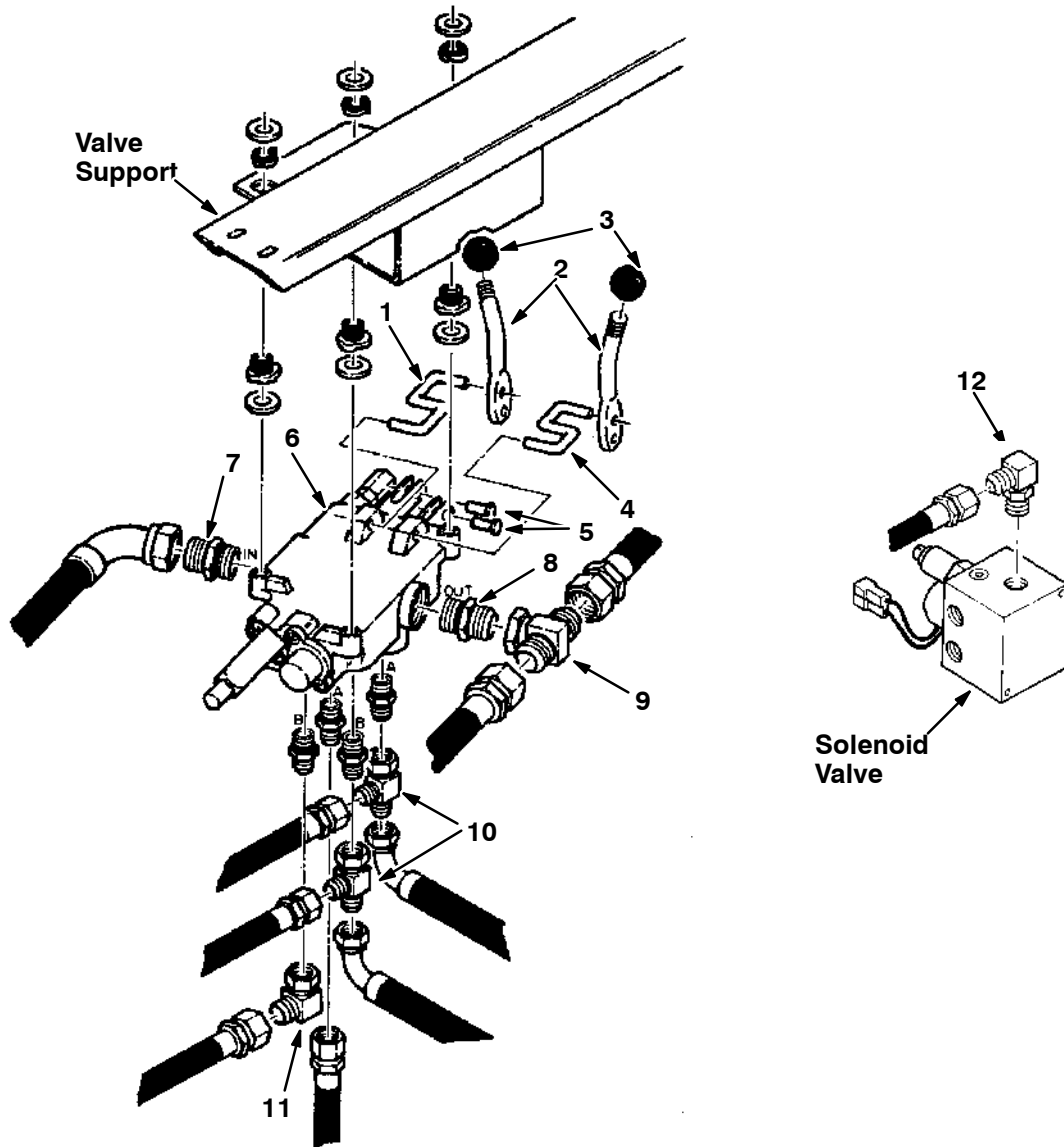


Fig. 11 – Hydraulic Control Valve Group, Multi-Level Dump

04606

Key	TENNANT Part No.	Machine Serial Number	Description	Qty.
1	82762	(010001-)	Link, S	1
2	02687	(010001-)	Handle, Valve Control	2
3	26156	(010001-)	Knob	2
4	32759	(010001-)	Link, S	1
5	14605	(010001-)	Pin, Clevis	2
6	34319	(010001-)	Valve, Hydraulic (See Hydraulic Components)	1
7	55686	(010001-)	Fitting, Straight	5
8	52402	(010001-)	Fitting, Straight	1
9	35586	(010001-)	Fitting, Tee	1
10	57988	(010001-)	Fitting, Tee	2
11	39210	(010001-)	Fitting, Elbow	1
12	44868	(010001-)	Fitting, Elbow	1

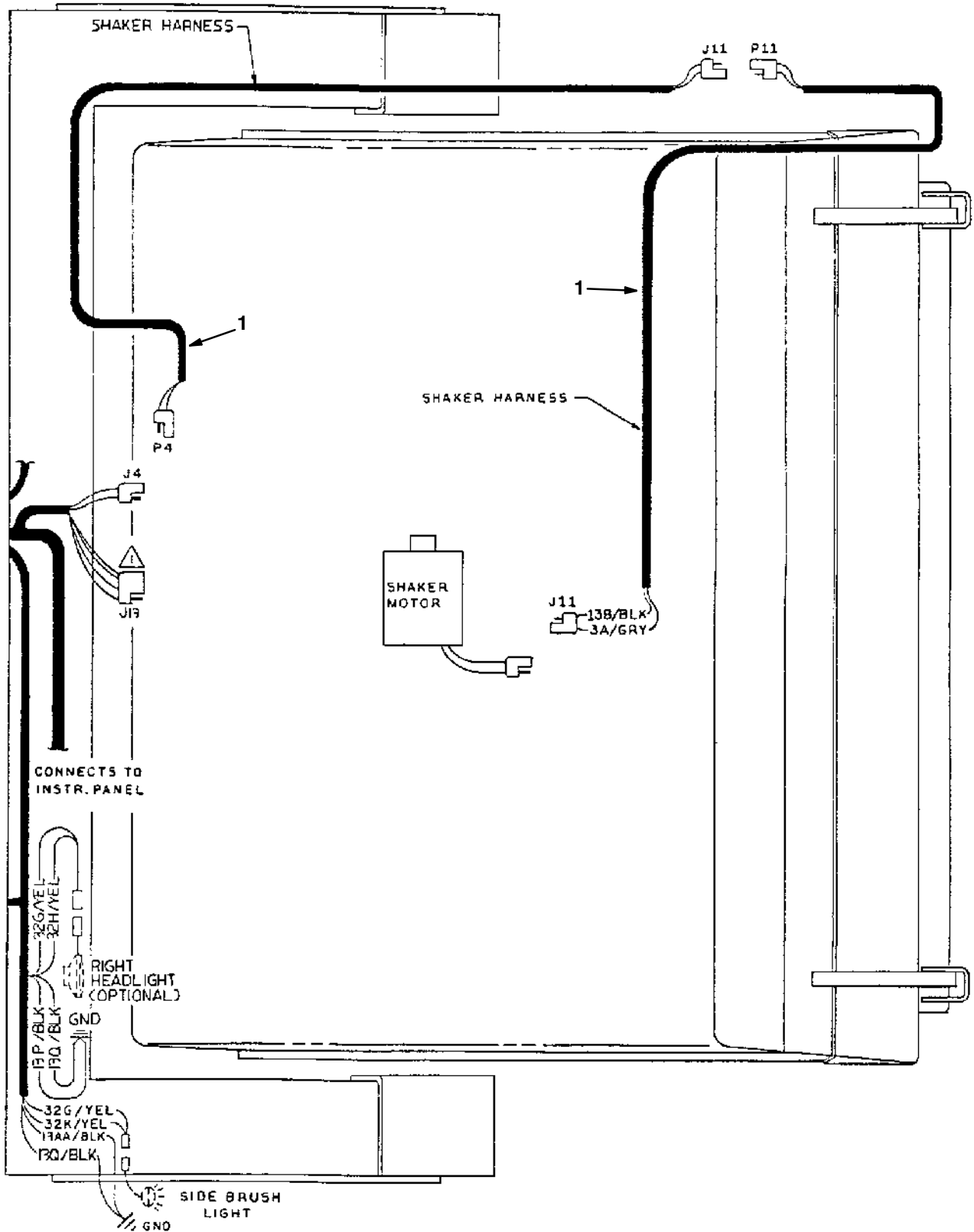


Fig. 12 – Wire Harnesses Group, Multi-Level Dump

04607

Key	TENNANT® Part No.	Machine Serial Number	Description	Qty.
1	07425	(010001 –)	Wire Harness, Hopper	2

MULTI-LEVEL DUMP MODEL PARTS

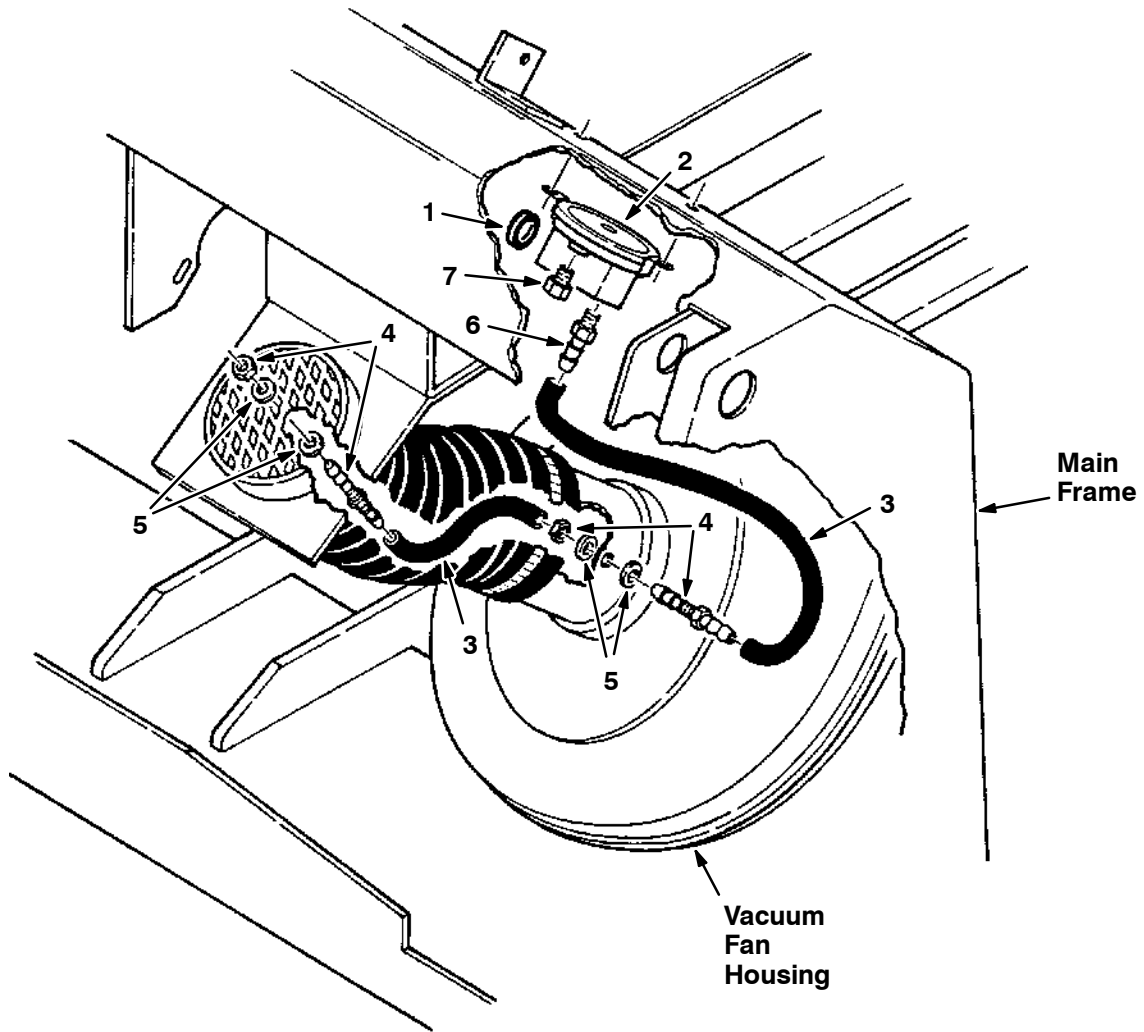


Fig. 13 – Pressure Switch Group, Multi-Level Dump

04495

Key	TENNANT® Part No.	Machine Serial Number	Description	Qty.
1	10632-4	(010001-)	Grommet, Rubber	1
2	34868	(010001-)	Switch, Pressure	1
3	39780-1	(010001-)	Hose, Rubber	1
4	39923	(010001-)	Fitting, Barbed Bulkhead	2
5	43454	(010001-)	Washer, Nylon	4
6	40607	(010001-)	Fitting, Barbed Straight	1
7	82739	(010001-)	Fitting, Breather	1

NOTE: To identify parts shown but not listed here, see Section 5, Low Dump Model Parts.

SECTION 8

CONTENTS

	Page		Page
ORDERING REPAIR PARTS	8-3	Fig. 30 – Protectoseal Fuel Tank Cap Kit	8-38
Fig. 1 – Cab Kit	8-4	Fig. 31 – Hood Latch and Machine Tie-Down Kit	8-39
Fig. 2 – Snow Blade Kit	8-6	Fig. 32 – Fuel Tanks Group, LPG	8-40
Fig. 3 – Snow Broom Kit	8-8	Fig. 33 – Rear Wheel Assembly, Foam Filled	8-41
Fig. 4 – Mount Frame Kit	8-10	Fig. 34 – Rear Wheel Assembly, Solid	8-41
Fig. 5 – Tire Chain Kit	8-11	Fig. 35 – Extra Reach Side Brush Group, Multi-Level Dump	8-42
Fig. 6 – Tire and Wheel Assembly	8-11	Fig. 36 – Maximum Path Side Brush Group ..	8-43
Fig. 7 – Revolving Light Kit, Overhead Guard	8-12	Fig. 37 – Hopper and Cover Group, RFS	8-44
Fig. 8 – Flashing Light Kit, Overhead Guard	8-13	Fig. 38 – Filter and Shaker Group, RFS	8-46
Fig. 9 – Revolving Light Kit, Shroud	8-14	Fig. 39 – Vacuum System Group, RFS	8-48
Fig. 10 – Flashing Light Kit, Shroud	8-15	Fig. 40 – Electrical and Hydraulic Group, RFS	8-50
Fig. 11 – Revolving Light Kit, Cab	8-16	Fig. 41 – Switch and Circuit Group, RFS	8-52
Fig. 12 – Flashing Light Kit, Cab	8-17	Fig. 42 – Wire Harnesses Group, RFS	8-53
Fig. 13 – Rear Squeegee Group	8-18		
Fig. 14 – Side Squeegee Group	8-20		
Fig. 15 – Scrub Attachment Cam Group	8-21		
Fig. 16 – Scrub Brush Drive Group	8-22		
Fig. 17 – Solution Tanks Group	8-24		
Fig. 18 – Recovery Tank Group	8-26		
Fig. 19 – Main Scrubber Brush Group	8-28		
Fig. 20 – Instrument Panel Group	8-28		
Fig. 21 – Hopper Dolly Assembly	8-29		
Fig. 22 – Scrubber Bumper Group	8-30		
Fig. 23 – Dry Battery Kit	8-31		
Fig. 24 – Vacuum Wand Kit, Low Dump	8-32		
Fig. 25 – Vacuum Wand Group, Multi-level Dump	8-34		
Fig. 26 – Battery Hold Down Kit	8-36		
Fig. 27 – Fire Extinguisher Kit	8-37		
Fig. 28 – Alternator Kit	8-37		
Fig. 29 – Spark Arresting Muffler Kit	8-38		

NOTE: SECTION 8, ACCESSORIES, lists repair parts included as part of the available accessories.

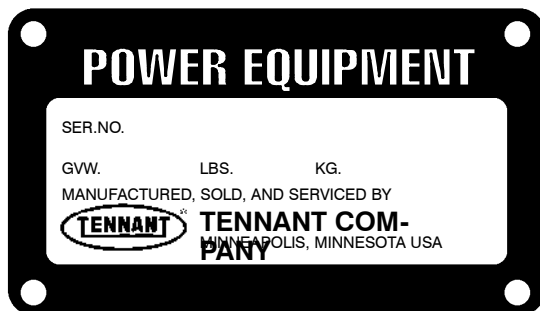
ORDERING REPAIR PARTS

The components used in this machine have been carefully selected for performance and safety. Use only Tennant Company specified or equivalent parts.

To receive prompt service in filling of your parts orders, please direct all orders for parts with Tennant Company part numbers to the Tennant Company, and all orders for parts with vendor part numbers to the local supplier of the respective vendor.

When ordering parts, please furnish all of the following information:

1. Machine model number - shown on the machine data plate.



2. Machine serial number - shown on the machine data plate.
3. Power source - gasoline, LPG, diesel, electric.
4. Company name.
5. Shipping address.
6. Billing address.
7. Name, first and last - of person ordering parts.
8. Telephone number.
9. Purchase order number.
10. Part number, description, and quantity - of each item on the order.

Do not order parts by key number or the figure number of the illustrated parts. Indented items indicate parts of assemblies. Standard hardware is furnished only when part of a purchased assembly. Please get hardware from a local hardware supplier.

If the old part cannot be identified, send it to us with the quantity needed specified on the order.

Any claim for loss or damage to a shipment in transit should be filed promptly against the transportation company making the delivery. Shipments will be complete unless the packing list or order acknowledgement indicate items back ordered.

If parts received are suspected to be incorrect or defective, please write, wire, or phone the Tennant Company representative from whom you ordered the part. They will give authorization for return and/or handle replacement shipments when required.

SERIAL NUMBER INFORMATION EXPLANATION

Serial number listings are shown to indicate on which machines each part can be used. These listings are explained by the following examples:

(000000—) The part can be used on all machines.

(003342—) The part can be used on all machines beginning with the serial number listed.

(000000—004320) The part can be used on all machines up to and including serial number listed.

(004321—005678) The part can be used on all machines between and including the serial numbers listed.

Where xxxxxx's are listed in place of a serial number, it indicates a change was made but the exact serial number had not been established when the catalog went to press.

SI UNITS OF MEASURE (INTERNATIONAL SYSTEM)

Metric equivalents have been included, where applicable, throughout this parts catalog.

FASTENER STRENGTH IDENTIFICATION

Fasteners required to have high—strength qualities equivalent to SAE Grade 8 are identified throughout this catalog by the description GR 8. Unless identified by this description, all standard fasteners are SAE Grade 5.

(Specifications and design subject to change without notice.)

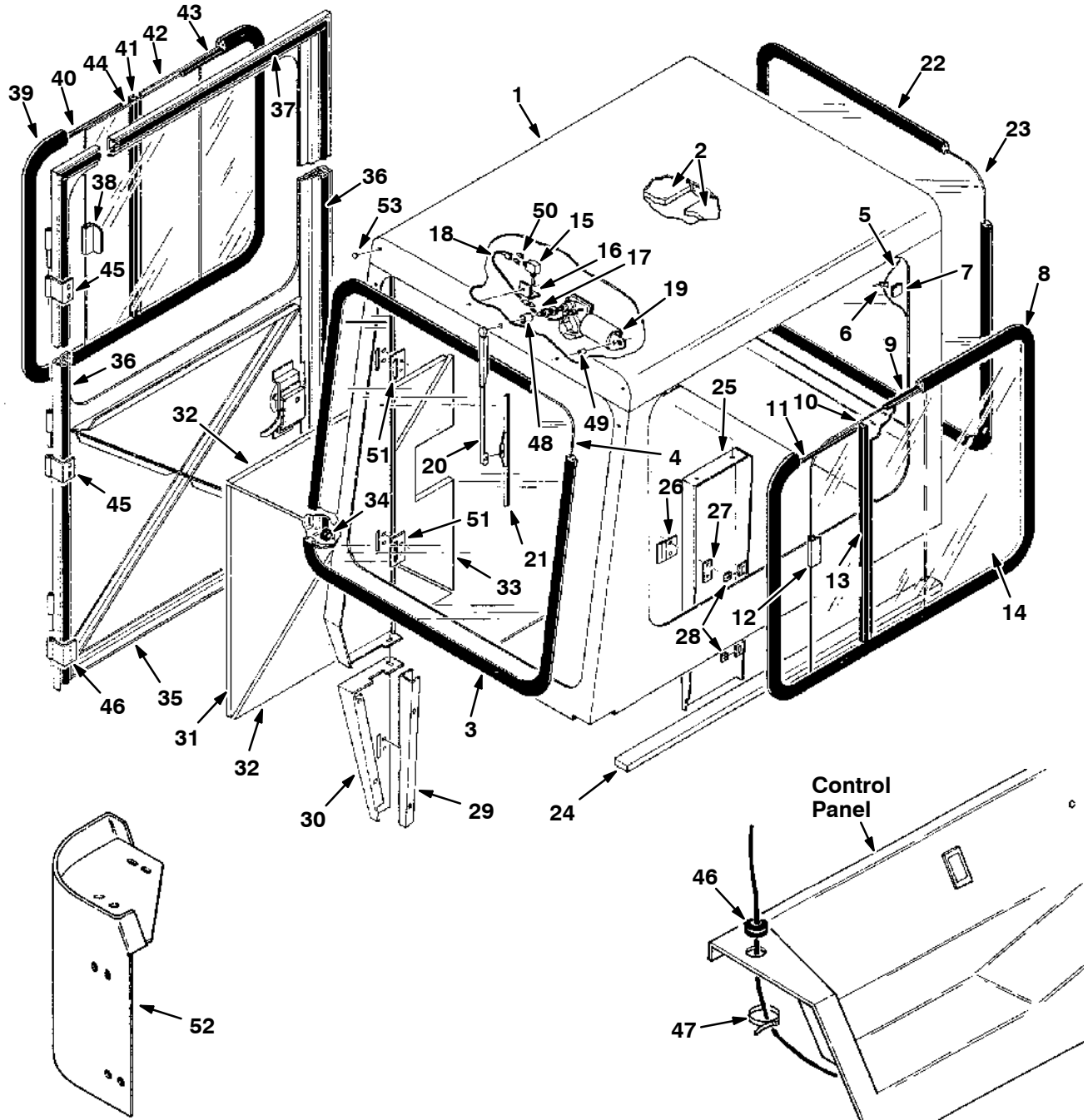


Fig. 1 – Cab Kit

04478

Key	TENNANT Part No.	Machine Serial Number	Description	Qty.
	82914	(000000–)	Cab Kit	1
1	03253	(000000–)	Cab Assembly	1
	03255	(000000–)	Cab	1
2	55398	(000000–)	Insulation, Foam	2
3	55349	(000000–)	Weather Strip	1
4	03234	(000000–)	Glass, Safety	1
5	07664	(000000–)	Wire Harness, Cab	1
6	49266	(000000–)	Tie, Cable	2

ACCESSORIES

Key	TENNANT Part No.	Machine Serial Number	Description	Qty.
7	55248	(000000-)	Mount, Cable Tie	2
8	55393	(000000-)	Weather Strip	1
9	55395	(000000-)	Channel, Flexible	1
10	12039	(000000-)	Glass, Sliding Safety	1
11	55369	(000000-)	Spacer, Rubber	1
12	15066	(000000-)	Handle	1
	58974	(000000-)	Pad, Rubber	2
13	55368	(000000-)	Channel, Rigid	1
14	03238	(000000-)	Glass, Stationary Safety	1
15	10701	(000000-)	Switch	1
16	62039	(000000-)	Bracket, L	1
17	07421	(000000-)	Plate, Switch	1
18	03282	(000000-)	Wire, Wiper Motor	1
19	02507	(000000-)	Motor, Wiper	1
20	15121	(000000-)	Arm, Wiper	1
21	23947	(000000-)	Blade, Wiper	1
22	82907	(000000-)	Weather Strip	1
23	03235	(000000-)	Glass, Stationary	1
24	03247	(000000-)	Seal, Foam Rubber	1
25	82917	(000000-)	Panel, Seat Support	1
26	55429	(000000-)	Strike, Plate	1
27	55431	(000000-)	Plate, Stiffener	1
28	61110	(000000-)	Nut, Retainer	3
29	55321	(000000-)	Channel, Bail	1
30	55322	(000000-)	Panel, Bail	1
	03243	(000000-)	Door Assembly, Cab	1
31	55758	(000000-)	Insulation, Foam	1
32	55757	(000000-)	Insulation, Foam	2
33	55759	(000000-)	Insulation, Foam	1
34	82921	(000000-)	Bumper, Rubber	1
35	03242	(000000-)	Door	1
36	55754	(000000-)	Seal, Side	2
37	55756	(000000-)	Seal, Top	1
38	15066	(000000-)	Handle	1
	58974	(000000-)	Pad, Rubber	2
39	55394	(000000-)	Weather Strip	1
40	55369	(000000-)	Spacer, Rubber	1
41	55368	(000000-)	Channel, Rigid	1
42	03237	(000000-)	Glass, Stationary Safety	1
43	55396	(000000-)	Channel, Flexible	1
44	12039	(000000-)	Glass, Sliding Safety	1
45	55761	(000000-)	Hinge	3
46	10632-2	(000000-)	Grommet	1
47	49266	(000000-)	Tie, Cable	1
48	03280	(000000-)	Spacer	1
49	03281	(000000-)	Spacer	1
50	48252	(000000-)	Tab, Terminal	2
51	55346	(000000-)	Plate, Hinge	2
52	02945	(000000-)	Tower, Bumper	1
53	33806	(000000-)	Plugbutton	4

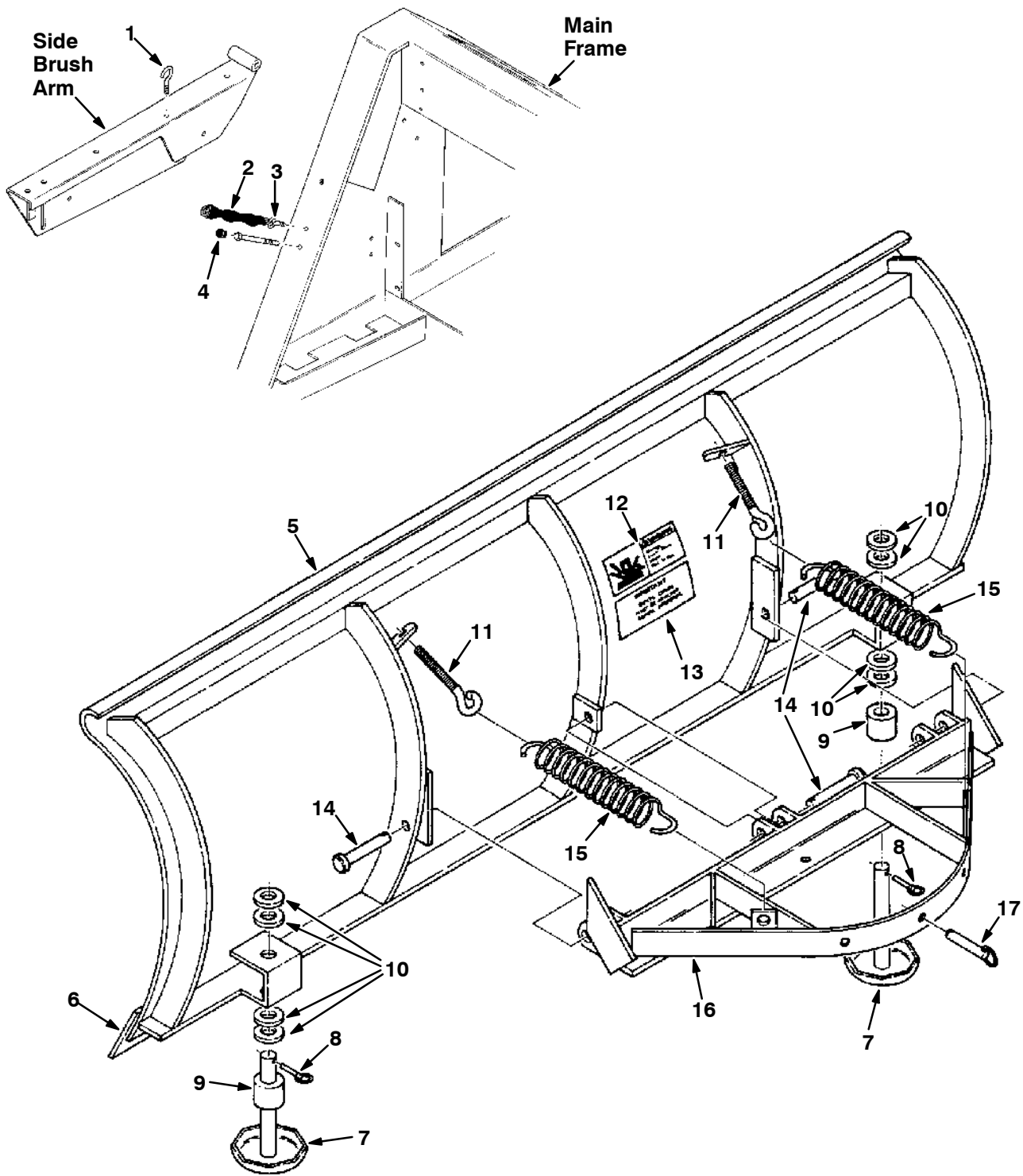


Fig. 2 – Snow Blade Kit

NOTE: To identify parts shown but not listed here, see Section 5, Low Dump Model Parts.

Fig. 2 – Snow Blade Kit

NOTE: Snow Blade Kit, TENNANT® Part Number 37136, includes Fig. 2, 4, 5, and 21.

Key	TENNANT® Part No.	Machine Serial Number	Description	Qty.
	47714	(000000–)	Snow Blade Kit	1
1	21097	(000000–)	Hook, Eyebolt	1
2	47280	(000000–)	Chain Assembly	1
3	11893	(000000–)	Eyebolt	1
4	01318	(000000–)	Tip, Rubber	1
5	31301	(000000–)	Blade Assembly	1
6	08050	(000000–)	Cutting Edge	1
7	08046	(000000–)	Disc Shoe Assembly	2
8	08046	(000000–)	Pin, Linch	2
9	08048	(000000–)	Spacer	2
10	32969	(000000–)	Washer	38
11	47713–2	(000000–)	Eyebolt	2
12	32180	(000000–)	Decal, Hazard	1
13	47477	(000000–)	Decal, Safety Chains	1
14	47713–3	(000000–)	Pin, Clevis	3
15	47713–1	(000000–)	Spring	2
16	31302	(000000–)	Quadrant Assembly	1
17	47715	(000000–)	Pin, Quick Release	1

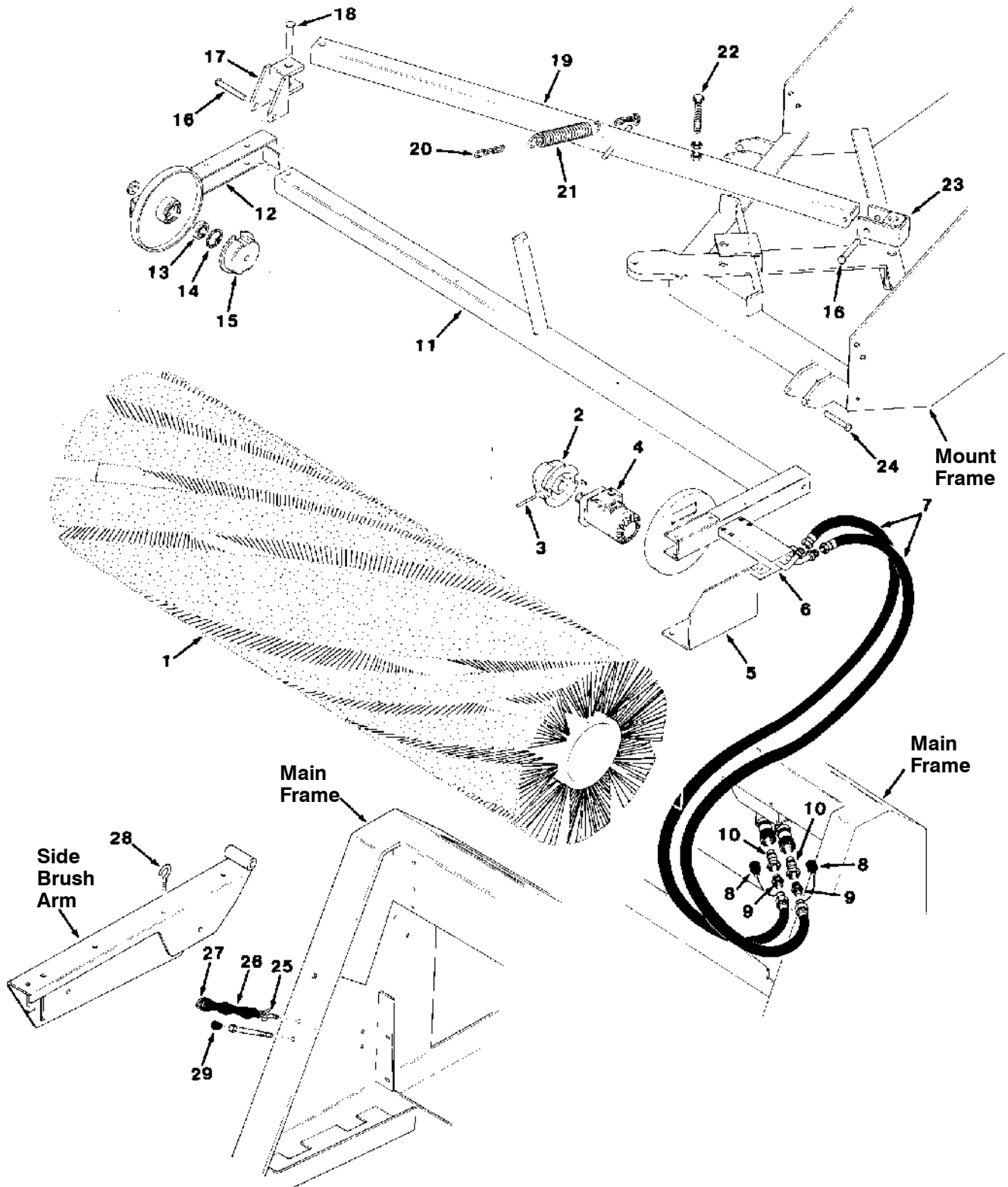


Fig. 3 – Snow Broom Kit

NOTE: To identify parts shown but not listed here, see Section 5, Low Dump Model Parts.

Fig. 3 – Snow Broom Kit

NOTE: Snow Broom Kit, TENNANT® Part Number 02629, includes Fig. 3, 4, 5, and 21.

Key	TENNANT Part No.	Machine Serial Number	Description	Qty.
	82082	(000000–)	Broom Kit, Snow	1
1	24741	(000000–)	Broom	1
2	24743	(000000–)	Plug, Drive	1
3	11516	(000000–)	Pin, Roll	1
4	27787	(000000–)	Motor, Hydraulic (See Hydraulic Components)	1
5	32162	(000000–)	Bracket, Bumper	1
6	82079	(000000–)	Block, Porting	1
7	82081	(000000–)	Hose, Hydraulic	2
8	33862	(000000–)	Cap, Dust	2
9	44869	(000000–)	Fitting, Straight	2
10	65084–1	(000000–)	Fitting, Coupling, Male	2
11	24705	(000000–)	Frame, Broom	1
12	24704	(000000–)	Frame, Broom, R.H.	1
13	46390	(000000–)	Bearing, Ball	1
14	10464	(000000–)	Ring, Retaining	1
15	07037	(000000–)	Plug, Brush	1
16	06474A	(000000–)	Pin, Clevis	2
17	24724	(000000–)	Yoke	1
18	24729	(000000–)	Pin, Clevis	1
19	24737	(000000–)	Arm, Broom Support	1
20	24769	(000000–)	Chain, Coil	1
21	24776	(000000–)	Spring, Tension	1
22	41177	(000000–)	Screw, Hex	1
23	24721	(000000–)	Pivot, End, Bracket	1
24	23191	(000000–)	Pin, Clevis	1
25	11893	(000000–)	Bolt, Eye	1
26	46567	(000000–)	Hose, Rubber	1
27	40758	(000000–)	Chain, Link	1
28	21097	(000000–)	Hook	1
29	01318	(000000–)	Tip, Rubber	1
	24787	(000000–)	Decal, Warning, Windrow Broom	1

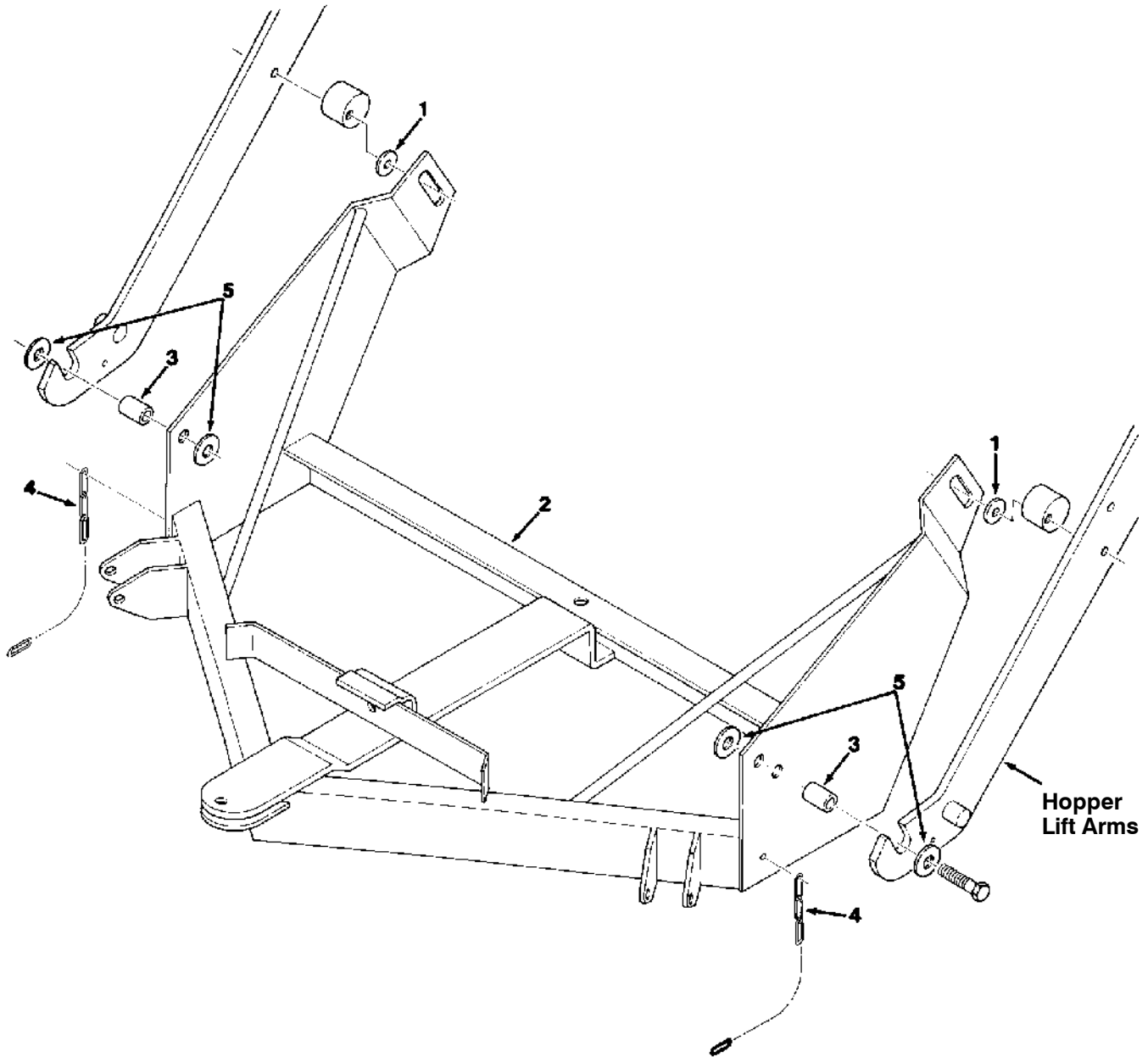


Fig. 4 – Mount Frame Kit

02596

NOTE: Snow Broom Kit, TENNANT® Part Number 02629, includes Fig. 3, 4, 5, and 21. Snow Blade Kit, TENNANT® Part Number 37136, includes Fig. 2, 4, 5, and 21.

Key	TENNANT® Part No.	Machine Serial Number	Description	Qty.
	24767	(000000–)	Frame Kit, Mount	1
1	07027	(000000–)	Sleeve	2
2	24706	(000000–)	Frame, Mounting	1
3	24728	(000000–)	Sleeve	2
4	32321	(000000–)	Chain, Coil	2
5	32494	(000000–)	Washer	4

NOTE: To identify parts shown but not listed here, see Section 5, Low Dump Model Parts.

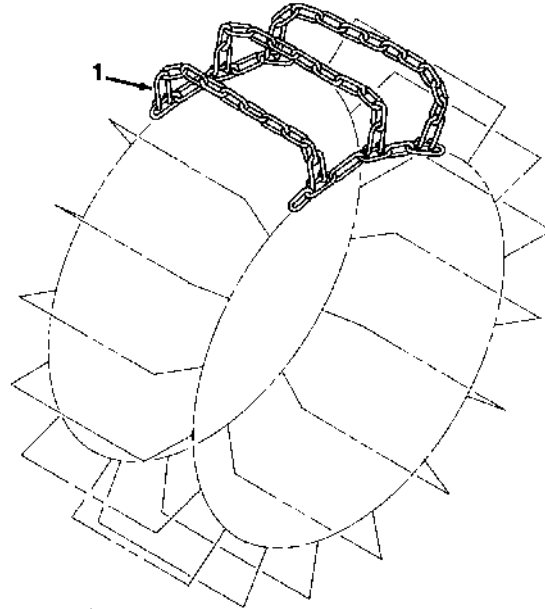


Fig. 5 – Tire Chain Kit

02591

NOTE: Snow Broom Kit, TENNANT® Part Number 02629, includes Fig. 3, 4, 5, and 21. Snow Blade Kit, TENNANT® Part Number 37136, includes Fig. 2, 4, 5, and 21.

Key	TENNANT® Part No.	Machine Serial Number	Description	Qty.
1	53848	(000000–)	Chain, Tire	1

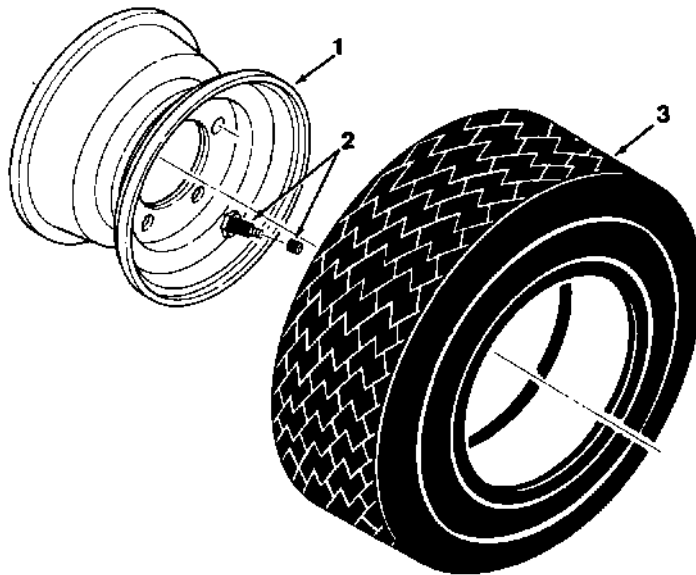


Fig. 6 – Tire and Wheel Assembly

02727

NOTE: Squeegees and Control Kit, TENNANT® Part Number 07522, includes Fig. 6, 13, 14, 15, and 22.

Key	TENNANT® Part No.	Machine Serial Number	Description	Qty.
	82245	(000000–)	Tire and Wheel Assembly	1
1	82225	(000000–)	Wheel	1
2	75365	(000000–)	Stem, Valve	1
3	47525	(000000–)	Tire	1

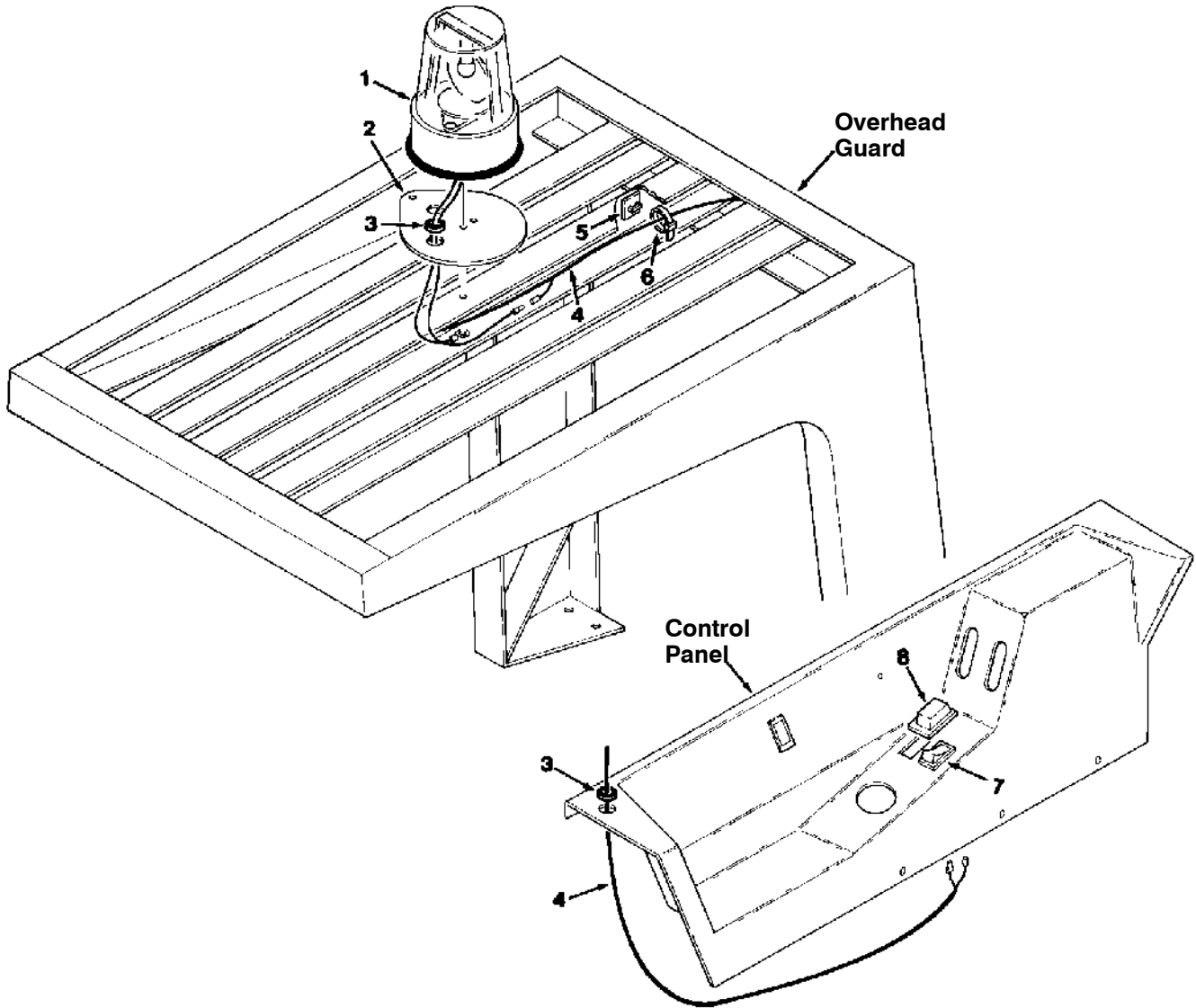


Fig. 7 – Revolving Light Kit, Overhead Guard

02605

Key	TENNANT® Part No.	Machine Serial Number	Description	Qty.
1	82066	(000000–)	Light Kit, Revolving, Amber	1
	82200	(000000–)	Light Assembly, Revolving	1
	45779	(000000–)	Bulb	1
	44681–1	(000000–)	Lens, Amber	1
2	57220	(000000–)	Plate, Mounting	1
	10632–2	(000000–)	Grommet	2
3	10632–2	(000000–)	Grommet	2
4	07664	(000000–)	Wire Harness	1
5	55248	(000000–)	Mount, Cable Tie	8
6	49266	(000000–)	Tie, Cable	9
7	31965	(000000–)	Switch, Rocker	1
8	57807	(000000–)	Seal, Switch	1
	44681	(000000–)	Lens, Red	1
	44681–2	(000000–)	Lens, Blue	1

NOTE: To identify parts shown but not listed here, see Section 5, Low Dump Model Parts.

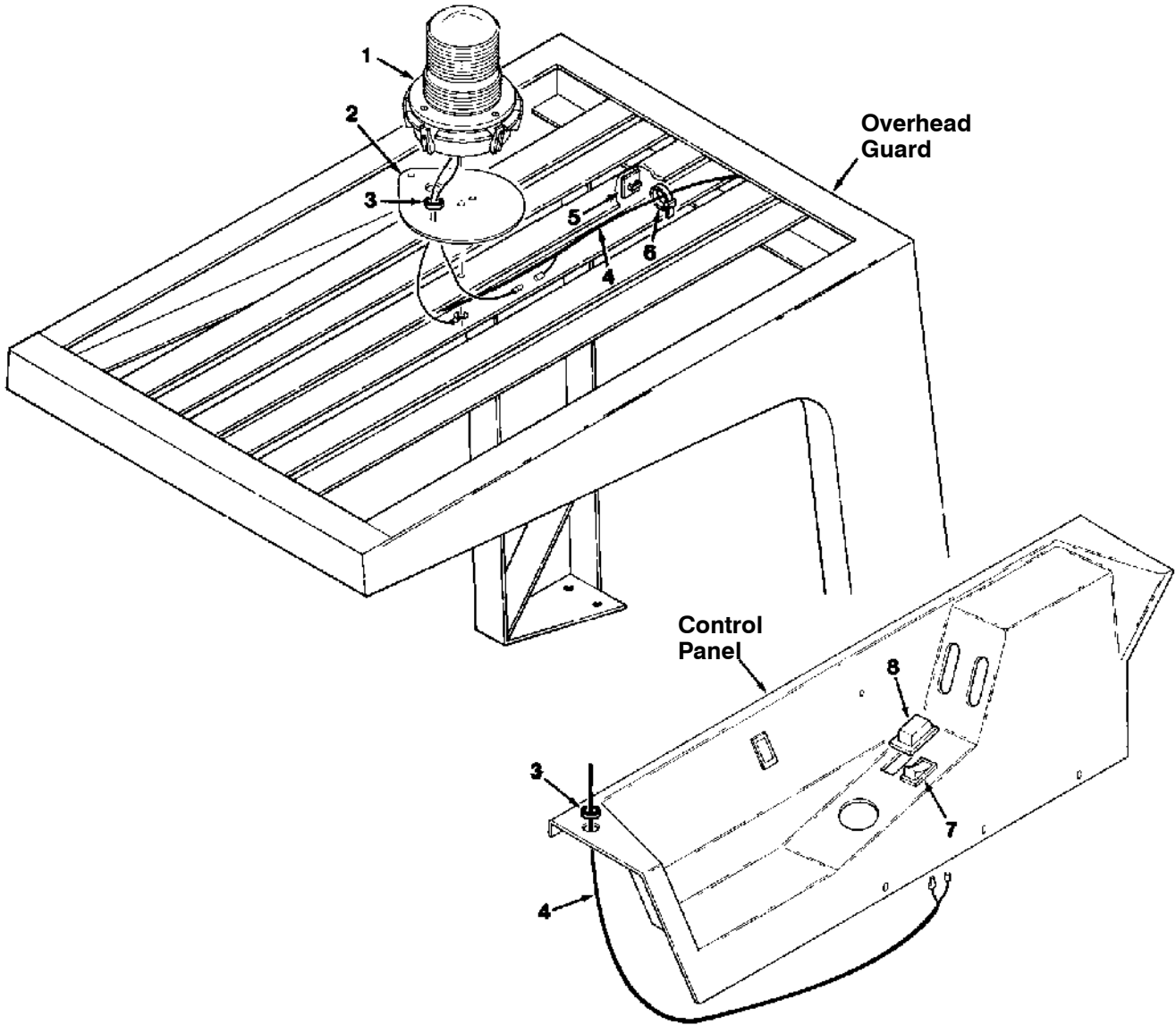


Fig. 8 – Flashing Light Kit, Overhead Guard

02606

Key	TENNANT® Part No.	Machine Serial Number	Description	Qty.
1	82072	(000000–)	Light Kit, Flashing, Amber	1
	82063	(000000–)	Light Assembly, Flashing	1
	58520	(000000–)	Lens, Amber	1
	45779	(000000–)	Bulb	1
2	57220	(000000–)	Plate	1
	<hr/>			
3	10632–2	(000000–)	Grommet	2
4	07664	(000000–)	Wire Harness	1
5	55248	(000000–)	Mount, Cable Tie	8
6	49266	(000000–)	Tie, Cable	9
7	31965	(000000–)	Switch, Rocker	1
8	57807	(000000–)	Seal, Switch	1
	58518	(000000–)	Lens, Red	1
	58519	(000000–)	Lens, Blue	1

NOTE: To identify parts shown but not listed here, see Section 5, Low Dump Model Parts.

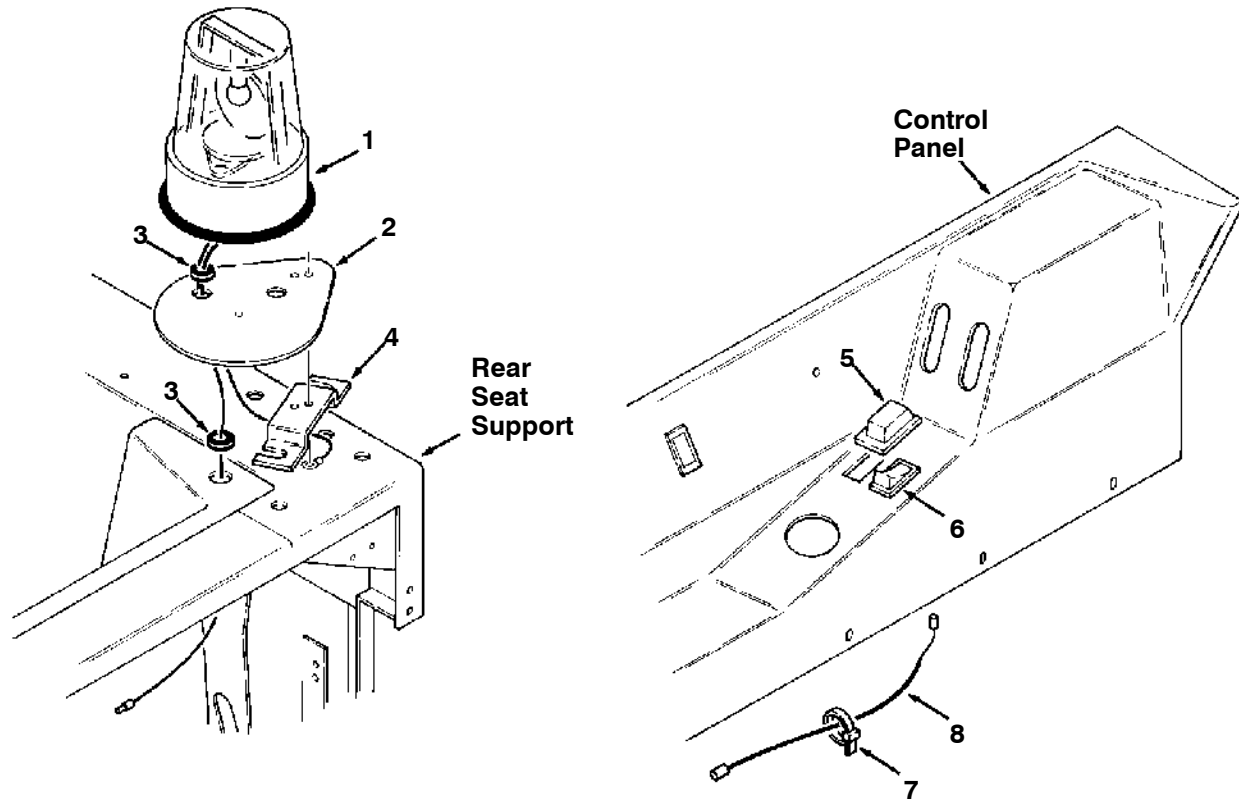


Fig. 9 – Revolving Light Kit, Shroud

02618

Key	TENNANT® Part No.	Machine Serial Number	Description	Qty.
1	82064	(000000–)	Light Kit, Revolving, Amber	1
	82200	(000000–)	Light Assembly, Revolving	1
	45779	(000000–)	Bulb	1
	44681–1	(000000–)	Lens, Amber	1
2	57220	(000000–)	Plate, Mounting	1
3	10632–2	(000000–)	Grommet	2
4	82738	(000000–)	Bracket, Mounting	1
5	57807	(000000–)	Seal, Switch	1
6	31965	(000000–)	Switch, Rocker	1
7	49266	(000000–)	Tie, Cable	1
8				
	82062	(000000–)	Wire Harness	1
	44681	(000000–)	Lens, Red	1
	44681–2	(000000–)	Lens, Blue	1

NOTE: To identify parts shown but not listed here, see Section 5, Low Dump Model Parts.

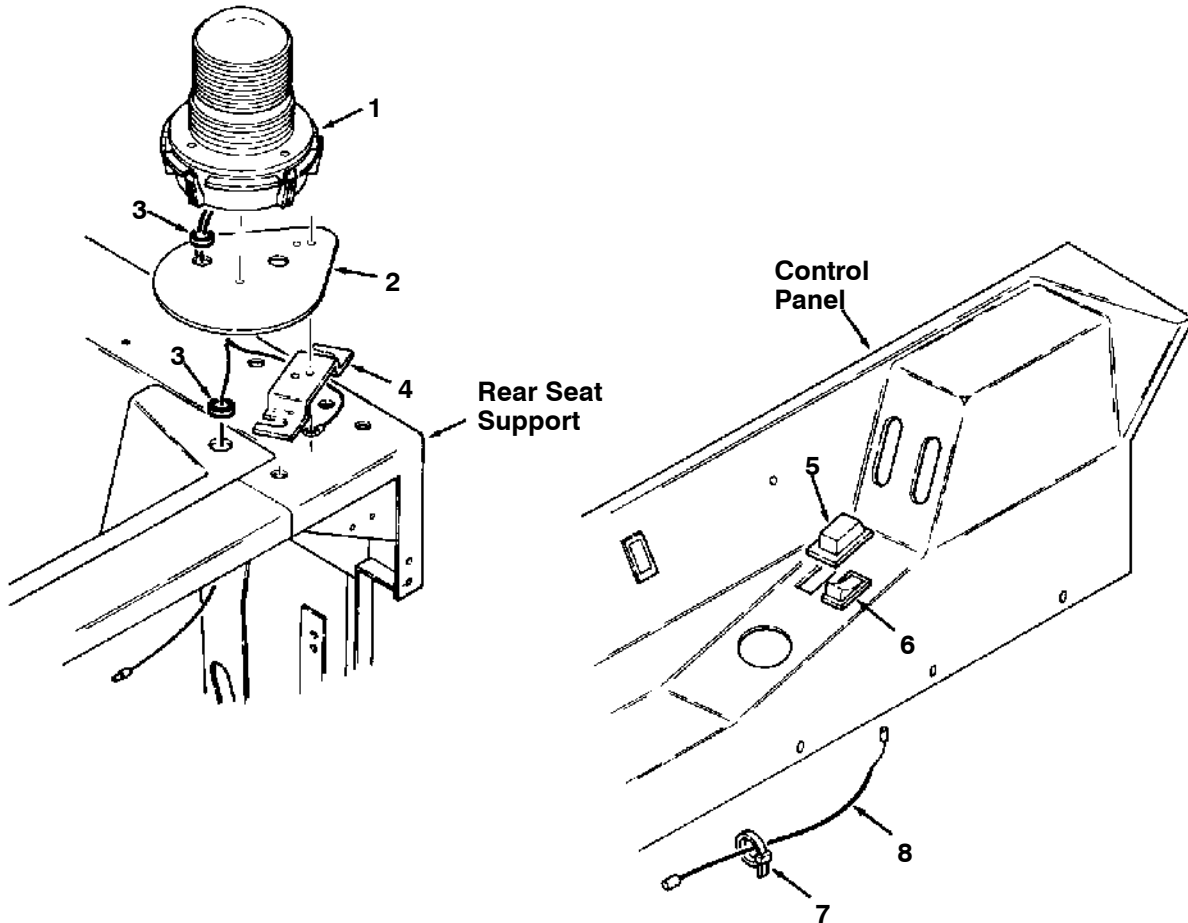


Fig. 10 – Flashing Light Kit, Shroud

02619

Key	TENNANT® Part No.	Machine Serial Number	Description	Qty.
1	82070	(000000–)	Light Kit, Flashing, Amber	1
	82063	(000000–)	Light Assembly, Flashing	1
	58520	(000000–)	Lens, Amber	1
	45779	(000000–)	Bulb	1
2	57220	(000000–)	Plate, Mounting	1
3	10632–2	(000000–)	Grommet	2
4	82738	(000000–)	Bracket, Mounting	1
5	57807	(000000–)	Seal, Switch	1
6	31965	(000000–)	Switch, Rocker	1
7	49266	(000000–)	Tie, Cable	1
8	82062	(000000–)	Wire Harness	1
	58518	(000000–)	Lens, Red	1
	58519	(000000–)	Lens, Blue	1

NOTE: To identify parts shown but not listed here, see Section 5, Low Dump Model Parts.

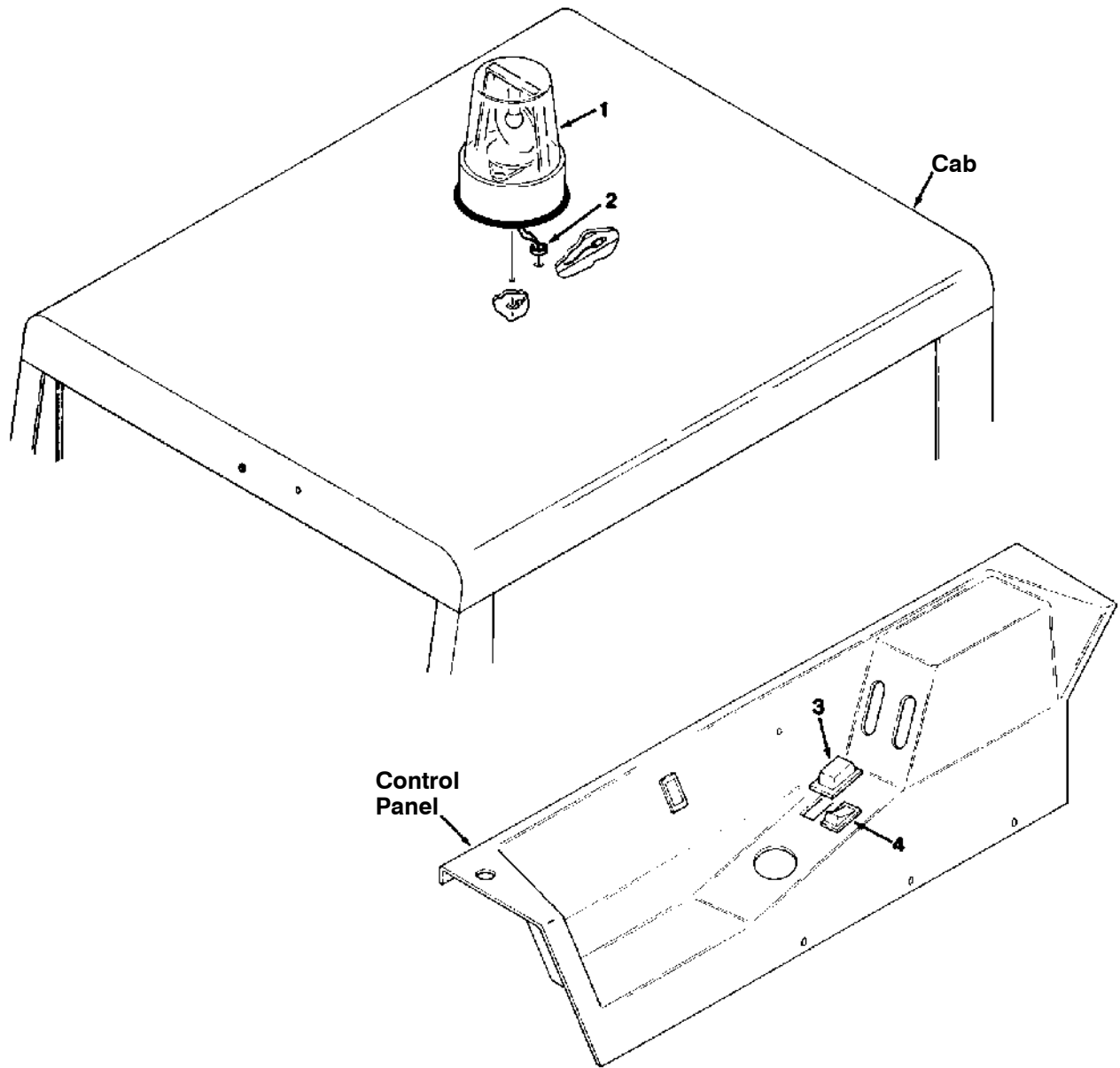


Fig. 11 – Revolving Light Kit, Cab

02620

Key	TENNANT® Part No.	Machine Serial Number	Description	Qty.
1	82068	(000000–)	Light Kit, Revolving, Amber	1
	82200	(000000–)	Light Assembly, Revolving	1
	45779	(000000–)	Bulb	1
	44681–1	(000000–)	Lens, Amber	1
2	10632–20	(000000–)	Grommet	1
3	57807	(000000–)	Seal, Switch	1
4	31965	(000000–)	Switch, Rocker	1
	44681	(000000–)	Lens, Red	1
	44681–2	(000000–)	Lens, Blue	1

NOTE: To identify parts shown but not listed here, see Section 5, Low Dump Model Parts.

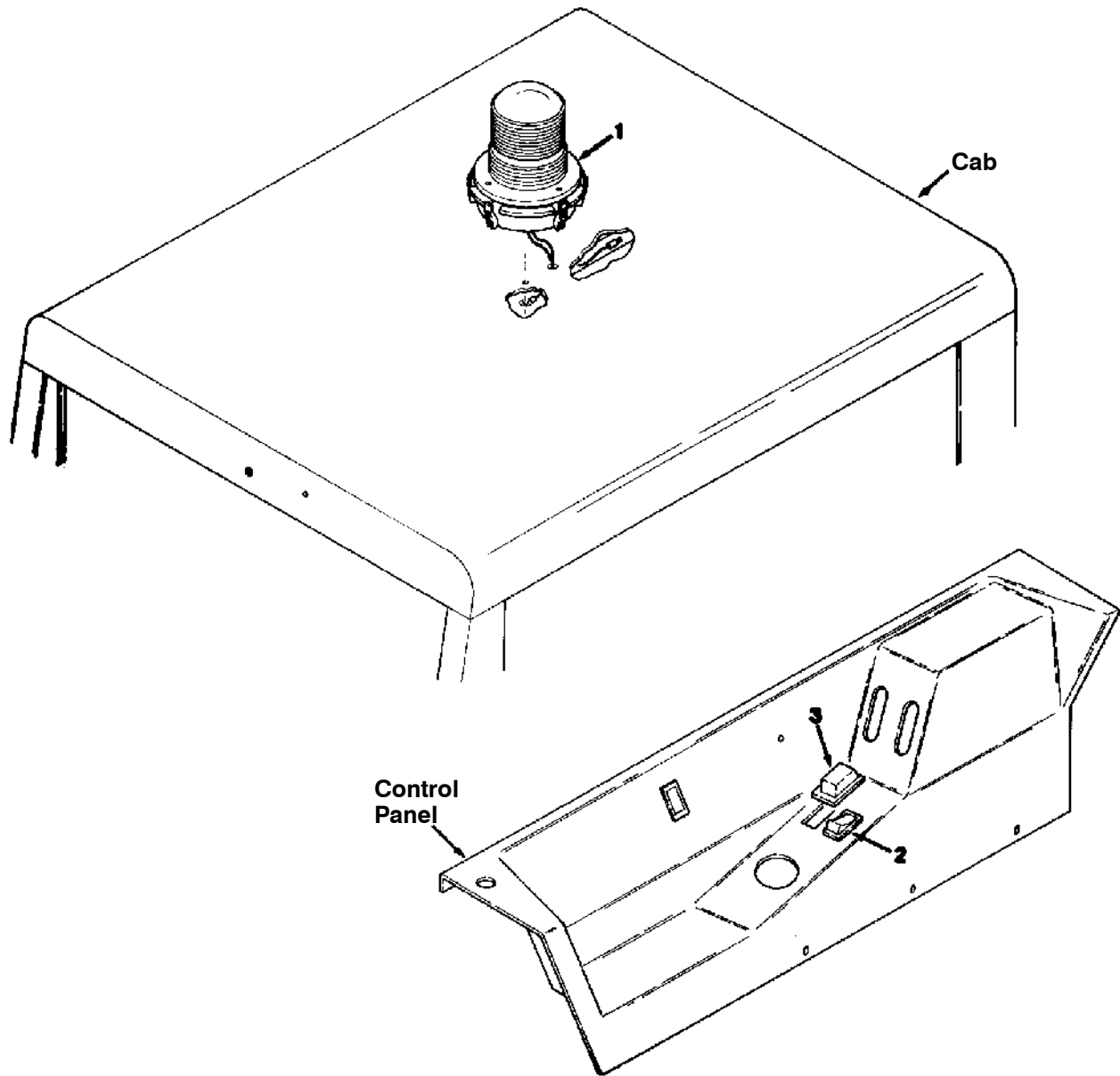


Fig. 12 – Flashing Light Kit, Cab

02621

Key	TENNANT® Part No.	Machine Serial Number	Description	Qty.
1	82074	(000000–)	Light Kit, Flashing, Amber	1
	82063	(000000–)	Light Assembly, Flashing	1
	58520	(000000–)	Lens, Amber	1
	45779	(000000–)	Bulb	1
2	31965	(000000–)	Switch, Rocker	1
3	57807	(000000–)	Seal, Switch	1
	08317	(000000–)	Sealant, Silastic	1
	58518	(000000–)	Lens, Red	1
	58519	(000000–)	Lens, Blue	1

NOTE: To identify parts shown but not listed here, see Section 5, Low Dump Model Parts.

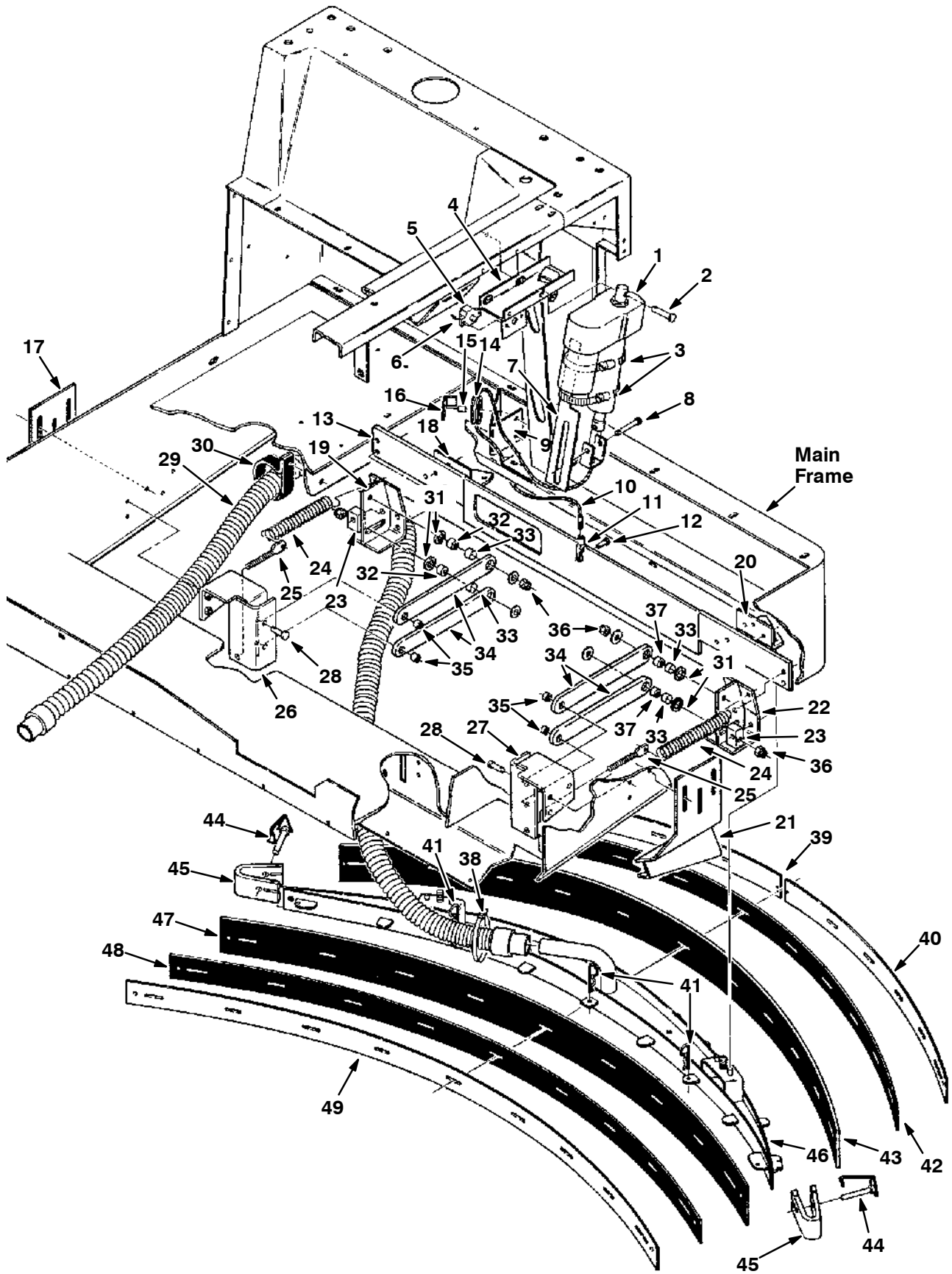


Fig. 13 – Rear Squeegee Group

NOTE: To identify parts shown but not listed here, see Section 5, Low Dump Model Parts.

Fig. 13 – Rear Squeegee Group

NOTE: Squeegees and Control Kit, TENNANT® Part Number 07522, includes Fig. 6, 13, 14, 15, and 22.

Key	TENNANT® Part No.	Machine Serial Number	Description	Qty.
1	68853	(000000–)	Actuator, Side Brush Lift	1
2	63147	(000000–)	Pin, Clevis	1
3	22297	(000000–)	Clamp, Worm Drive	2
4	12005	(000000–)	Mount, Squeegee Actuator	1
5	63030	(000000–)	Circuit Breaker, 17.5A	1
6	68106	(000000–)	Tab, Terminal	2
7	07529	(000000–)	Angle, Rotation Stop	1
8	06279	(000000–)	Pin, Clevis	1
9	07063	(000000–)	Bracket, Pulley Lift	1
10	12008	(000000–)	Cable, Squeegee Lift	1
11	14595–1	(000000–)	Clevis, Adjustable	1
12	51727	(000000–)	Pin, Clevis	1
13	07585	(000000–)	Bar, Squeegee Lift	1
14	58279	(000000–)	Pulley, Cable	1
15	07469	(000000–)	Sleeve	1
16	36077	(000000–)	Bracket, L	1
17	11938	(000000–)	Guard, Squeegee, R.H.	1
18	11925	(000000–)	Angle, Squeegee Mount, R.H.	1
19	30383	(000000–)	Bracket, Link, R.H.	1
20	11924	(000000–)	Angle, Squeegee Mount, L.H.	1
21	11939	(000000–)	Guard, Squeegee, L.H.	1
22	30384	(000000–)	Bracket, Link, L.H.	1
23	69459	(000000–)	Block, Pivot	2
24	07503	(000000–)	Spring, Tension	2
25	30386	(000000–)	Bolt, Eye	2
26	11918	(000000–)	Mount, Linkage, R.H.	1
27	11915	(000000–)	Mount, Linkage, L.H.	1
28	29557	(000000–)	Pin, Clevis	4
29	07477	(000000–)	Hose and Cuff Assembly	1
30	47795–1	(000000–)	Strap, Rubber	1
31	07448	(000000–)	Bearing, Thrust	4
32	07384	(000000–)	Spacer, Link	2
33	07449	(000000–)	Bearing, Fiberglide	4
34	07351	(000000–)	Link	4
35	07447	(000000–)	Bearing, Bronze	4
36	59156	(000000–)	Nut, Nylon Hex	4
37	07382	(000000–)	Spacer, Link	2
38	04175	(000000–)	Squeegee Assembly, Rear	1
	49263	(000000–)	Tie, Cable	1
39	11959	(000000–)	Retainer, Squeegee, R.H.	1
40	11958	(000000–)	Retainer, Squeegee, L.H.	1
41	02942	(000000–)	Pin, Hair Cotter	3
42	11957	(000000–)	Squeegee, Rear Back–Up	1
43	07051	(000000–)	Blade, Rear Squeegee	1
44	02662	(000000–)	Pin Assembly, Keeper	2
45	11961	(000000–)	Bumper, Squeegee End	2
46	07478	(000000–)	Frame, Squeegee	1
47	11952	(000000–)	Blade, Front Squeegee	1
48	11956	(000000–)	Squeegee, Front Back–Up	1
49	11951	(000000–)	Band Squeegee, Front	1

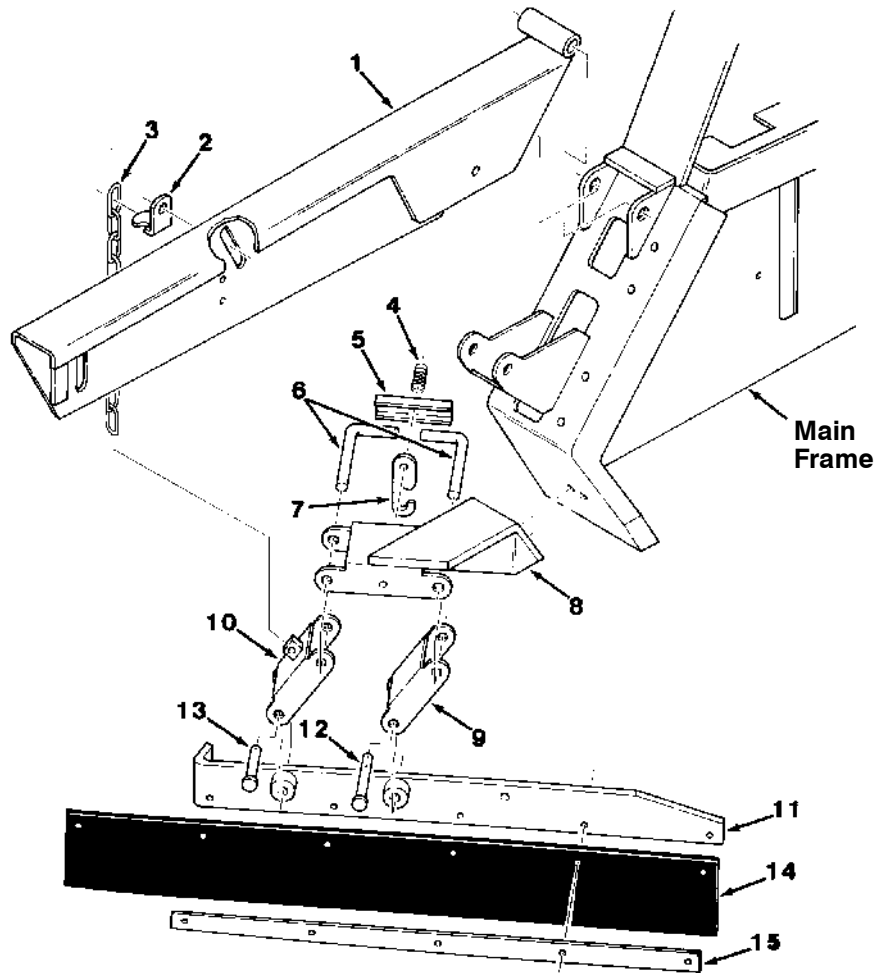


Fig. 14 – Side Squeegee Group

02729

NOTE: Squeegees and Control Kit, TENNANT® Part Number 07522, includes Fig. 6, 13, 14, 15, and 22.

Key	TENNANT® Part No.	Machine Serial Number	Description	Qty.
1	48062-1	(000000-)	Arm, Side, R.H.	1
2	43499	(000000-)	Bracket, Clip	1
3	43500	(000000-)	Chain	1
4	04428A	(000000-)	Spring, Compression	1
5	43204	(000000-)	Channel	1
6	43299	(000000-)	Pin	2
7	43549	(000000-)	Catch	1
8	43497	(000000-)	Support, Squeegee	1
9	43295	(000000-)	Link	1
10	43317	(000000-)	Link Assembly	1
11	43291	(000000-)	Support, Squeegee, Back	1
12	43553	(000000-)	Pin, Clevis	1
13	43290	(000000-)	Pin, Clevis	1
14	60013	(000000-)	Squeegee, Side	1
15	43294	(000000-)	Retainer	1

NOTE: To identify parts shown but not listed here, see Section 5, Low Dump Model Parts.

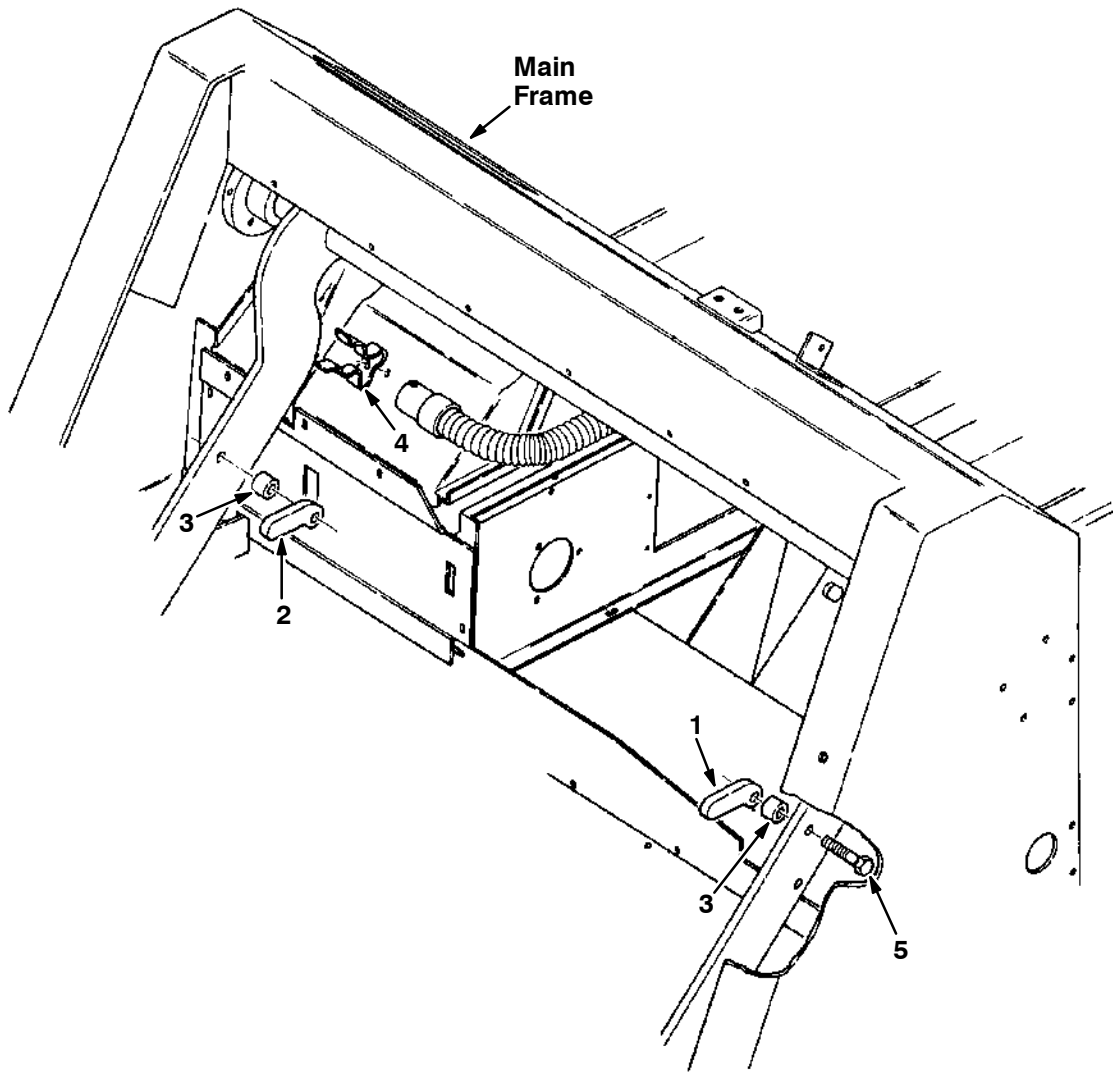


Fig. 15 – Scrub Attachment Cam Group

02851

NOTE: Squeegees and Control Kit, TENNANT® Part Number 07522, includes Fig. 6, 13, 14, 15, and 22.

Key	TENNANT® Part No.	Machine Serial Number	Description	Qty.
1	03114	(000000–)	Cam, L.H.	1
2	03139	(000000–)	Cam, R.H.	1
3	02997	(000000–)	Spacer, Cam	2
4	67004	(000000–)	Clip, Finger Grip	1
5	03112	(000000–)	Screw, Hex, L.H.	1

NOTE: To identify parts shown but not listed here, see Section 5, Low Dump Model Parts.

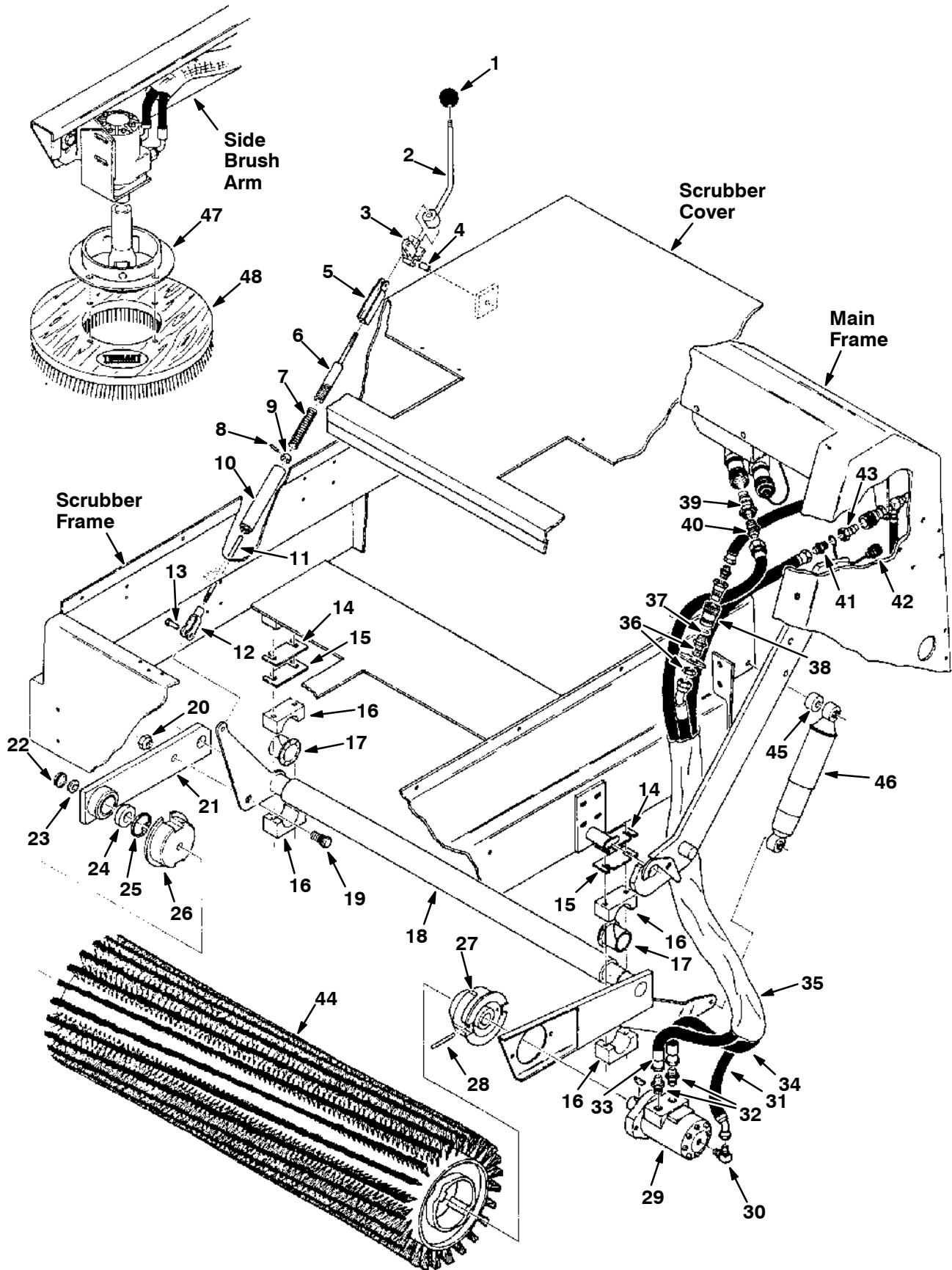


Fig. 16 – Scrub Brush Drive Group

NOTE: To identify parts shown but not listed here, see SECTION 5, LOW DUMP MODEL PARTS.

Fig. 16 – Scrub Brush Drive Group

NOTE: Scrubber Attachment Kit, Tennant® Part Number 07436, includes Fig. 16, 17, 18, 19, 20, and 21.

Key	TENNANT Part No.	Machine Serial Number	Description	Qty.
1	26156	(000000–)	Knob	1
2	03024	(000000–)	Handle, Scrub Brush Lift	1
3	43086	(000000–)	Crank	1
4	26065	(000000–)	Bushing, Sleeve	1
5	43502	(000000–)	Clevis	1
6	43505	(000000–)	End, Cylinder	1
7	43164	(000000–)	Spring, Compression	1
8	20160	(000000–)	Pin, Roll	1
9	43116	(000000–)	Collar	1
10	43096	(000000–)	Cylinder, Spring	1
11	82893	(000000–)	Rod, Brush Lift	1
12	14330	(000000–)	Yoke, Adjustable End	1
13	14331	(000000–)	Pin, Clevis	1
14	46642–1	(000000–)	Shim	4
15	46642–2	(000000–)	Shim	2
16	46605	(000000–)	Block, Bearing	2
17	46443	(000000–)	Bushing, Flange	2
18	43491	(000000–)	Arm and Shaft, Brush Lift	1
19	32126	(000000–)	Stud, Wheel	1
20	24339	(000000–)	Nut, Angle Wheel	1
21	46442	(000000–)	Arm, Brush	1
22	47178–13	(000000–)	Plugbutton	1
23	07026	(000000–)	Sleeve	1
24	46390	(000000–)	Bearing, Ball	1
25	10464	(000000–)	Ring, Retaining	1
26	07037	(000000–)	Plug, Brush	1
27	24743	(000000–)	Plug, Brush Drive	1
28	11398	(000000–)	Pin, Roll	1
29	27796	(000000–)	Motor, Hydraulic (See Hydraulic Components)	1
30	77097	(000000–)	Fitting, Elbow	1
31	82648	(000000–)	Hose, Hydraulic	1
32	56692	(000000–)	Fitting, Straight	2
33	34356	(000000–)	Hose, Hydraulic	1
34	82506	(000000–)	Hose, Hydraulic	1
35	31646	(000000–)	Sleeve, Nylon	1
36	82918	(000000–)	Fitting, Straight	1
37	77006	(000000–)	Seal, O–Ring	1
38	65084–2	(000000–)	Fitting, Coupling Half, Female	1
39	65084–1	(000000–)	Fitting, Coupling Half, Male	1
40	44869	(000000–)	Fitting, Straight	1
41	06678	(000000–)	Fitting, Straight	1
42	33798	(000000–)	Cap, Dust	1
43	34413	(000000–)	Fitting, Coupling Half, Male	1
44	43592	(000000–)	Brush, Scrub, 24 Row Polypropylene	1
45	43653	(000000–)	Sleeve	1
46	43652	(000000–)	Absorber, Shock	1
47	02663	(000000–)	U–Joint Assembly, Side Brush Drive	1
48	43148	(000000–)	Brush, Side Scrub, Polypropylene	1

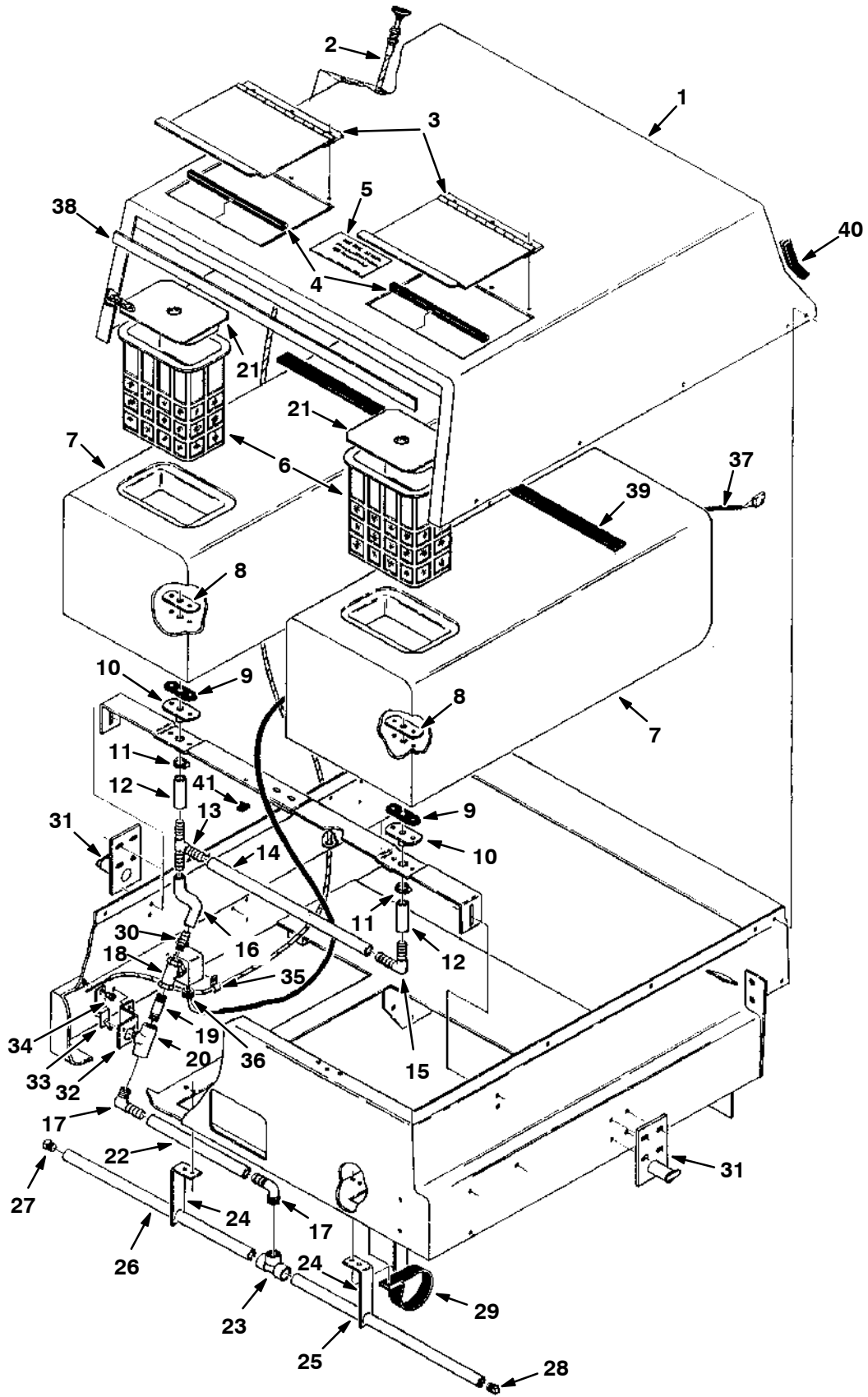


Fig. 17 – Solution Tanks Group

Fig. 17 – Solution Tanks Group

NOTE: Scrubber Attachment Kit, Tennant® Part Number 07436, includes Fig. 16, 17, 18, 19, 20, and 21.

Key	TENNANT® Part No.	Machine Serial Number	Description	Qty.
1	82949	(000000–)	Cover, Scrubber	1
2	03074	(000000–)	Cable, Control	1
3	43287	(000000–)	Lid	2
4	49282	(000000–)	Molding, Rigid	2
5	46847	(000000–)	Label, Detergent Recommended	1
6	43516A	(000000–)	Basket, Soap	2
7	82887	(000000–)	Tank, Detergent	2
8	43056	(000000–)	Flange	2
9	43016	(000000–)	Gasket	2
10	43057	(000000–)	Connector	2
11	54333	(000000–)	Clamp, Worm Drive	2
12	45487–1	(000000–)	Hose, Vinyl	2
13	45488	(000000–)	Fitting, Barbed Tee	1
14	45487–3	(000000–)	Hose, Vinyl	1
15	45486	(000000–)	Fitting, Barbed Elbow	1
16	03073	(000000–)	Hose, Vinyl	1
17	45484	(000000–)	Fitting, Barbed Elbow	2
18	82599	(000000–)	Valve Assembly, Solenoid	1
19	11442–3	(000000–)	Fitting, Nipple	1
20	12770	(000000–)	Water, Valve	1
21	02967	(000000–)	Plug Assembly, Soap Basket	2
22	45487–4	(000000–)	Hose, Vinyl	1
23	56092	(000000–)	Fitting, Tee	1
24	45481	(000000–)	Hanger	2
25	56090	(000000–)	Tube, Spreader	1
26	45528	(000000–)	Tube, Spreader	1
27	01622	(000000–)	Plug, Pipe/w Hole	1
28	56119	(000000–)	Fitting, Plug	1
29	47795–1	(000000–)	Strap, Rubber	1
30	79273–4	(000000–)	Fitting, Barbed Coupling	1
31	43039	(000000–)	Support	
2				
32	12046	(000000–)	Bracket	1
33	12047	(000000–)	Arm, Water Valve	1
34	43242	(000000–)	Swivel	1
35	40678	(000000–)	Clamp, Conduit	1
36	10632–4	(000000–)	Grommet, Rubber	1
37	07442	(000000–)	Wire Harness, Scrubber	1
38	02925	(000000–)	Seal, Foam Rubber	1
39	02970	(000000–)	Seal, Rubber	1
40	62170–4	(000000–)	Molding, Rigid	1
41	46236	(000000–)	Clamp, Cable	2

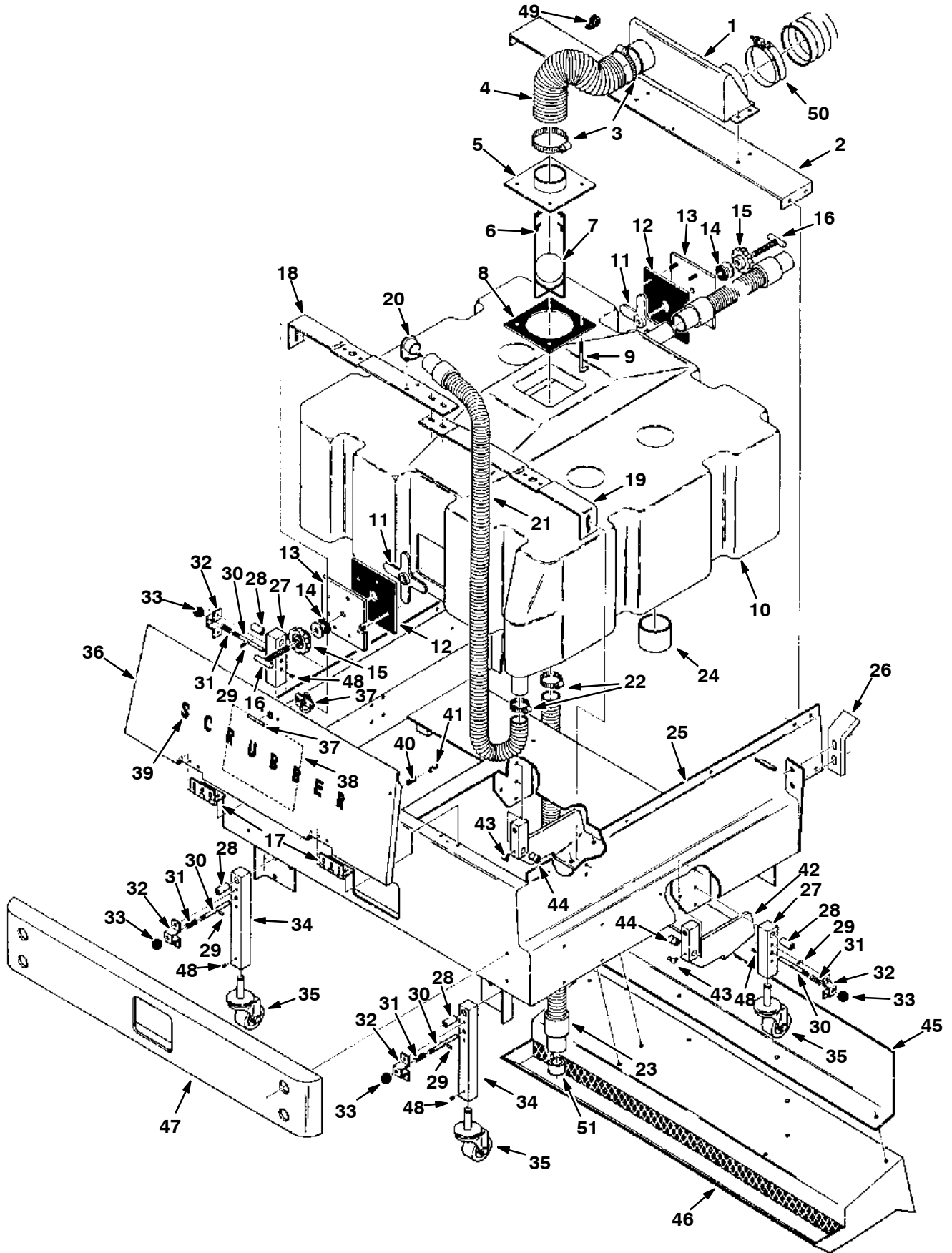


Fig. 18 – Recovery Tank Group

Fig. 18 – Recovery Tank Group

NOTE: Scrubber Attachment Kit, Tennant® Part Number 07436, includes Fig. 16, 17, 18, 19, 20, and 21.

Key	TENNANT® Part No.	Machine Serial Number	Description	Qty.
1	03130	(000000–)	Duct, Vacuum	1
2	82959	(000000–)	Brace	1
3	43555	(000000–)	Clamp, Worm Drive	2
4	43490	(000000–)	Hose, Flex	1
5	47475	(000000–)	Collar, Float Cage	1
6	56489	(000000–)	Guide, Float	1
7	43170	(000000–)	Float, Ball	1
8	43552	(000000–)	Gasket	1
9	32685	(000000–)	Bolt, J	4
10	82888	(000000–)	Tank, Recovery	1
11	82939	(000000–)	Cam, Locking	2
12	32683	(000000–)	Seal, Cleanout Door	2
13	12878	(000000–)	Door, Cleanout	2
14	82967	(000000–)	Seal, Washer	2
15	82958	(000000–)	Knob, Cleanout Door	2
16	03043	(000000–)	Handle, Cleanout Door	2
17	47974	(000000–)	Hinge	2
18	03141	(000000–)	Bracket, Mounting, R.H.	1
19	03142	(000000–)	Bracket, Mounting, L.H.	1
20	20215	(000000–)	Plug	1
21	69207	(000000–)	Hose, Drain	1
22	11531	(000000–)	Clamp, Worm Drive	2
23	43207	(000000–)	Hose and Cuff Assembly	1
24	32677	(000000–)	Tube, Tank Locating	2
25	07437	(000000–)	Frame, Scrubber	1
26	82590	(000000–)	Support, L.H.	1
27	43615	(000000–)	Leg, Rear	2
28	43609	(000000–)	Sleeve	4
29	20160	(000000–)	Pin, Roll	4
30	32449	(000000–)	Pin, Threaded	4
31	04428A	(000000–)	Spring, Compression	4
32	43030	(000000–)	Bracket, Pin	4
33	26565	(000000–)	Knob	4
34	43614	(000000–)	Leg, Front	2
35	43616	(000000–)	Stem, Swivel Caster	4
36	82957	(000000–)	Door, Tank	1
37	82964	(000000–)	Latch, Spring Tee	1
38	02962	(000000–)	Label, Scrubber Installation	1
39	46276	(000000–)	Label, Scrubber	1
40	43203	(000000–)	Chain	1
41	43363	(000000–)	Hook, S	1
42	43005	(000000–)	Support, Trough	1
43	11048	(000000–)	Fitting, Grease	2
44	26065	(000000–)	Bushing, Sleeve	2
45	53368	(000000–)	Shield, Spray	1
46	43004	(000000–)	Trough, Pickup	1
47	82891	(000000–)	Channel, Bumper	1
48	39336	(000000–)	Screw, Set	4
49	26395	(000000–)	Clamp, Cable	1
50	02912	(000000–)	Clamp, Hose	1
51	46688	(000000–)	Sleeve	1

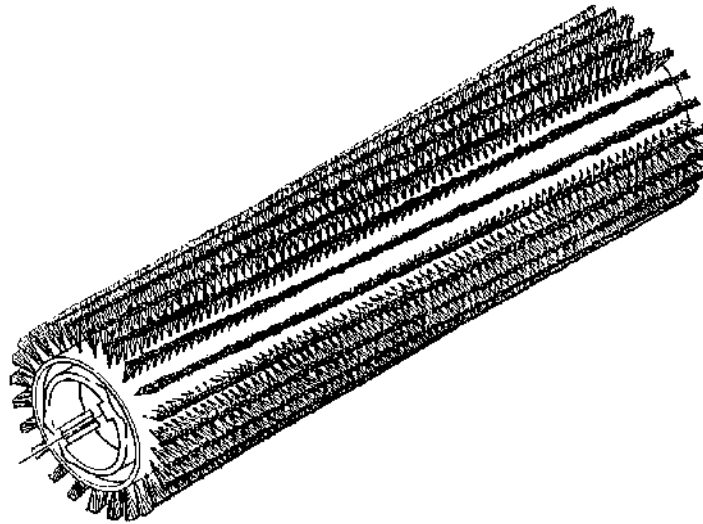


Fig. 19 – Main Scrubber Brush Group

04479

NOTE: Scrubber Attachment Kit, Tennant® Part Number 07436, includes Fig. 16, 17, 18, 19, 20, and 21.

Key	TENNANT® Part No.	Machine Serial Number	Description	Qty.
1	43592	(000000–)	Brush, Scrub, 24 Row Polypropylene	1

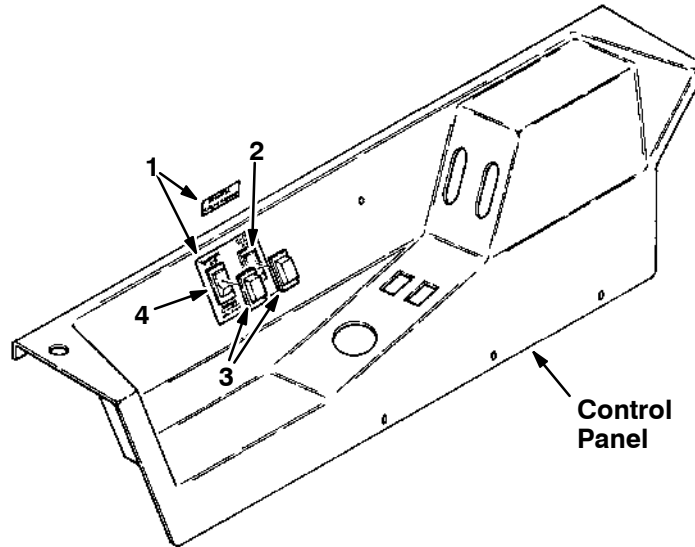


Fig. 20 – Instrument Panel Group

04475

NOTE: Scrubber Attachment Kit, Tennant® Part Number 07436, includes Fig. 16, 17, 18, 19, 20, and 21.

Key	TENNANT® Part No.	Machine Serial Number	Description	Qty.
1	07566	(000000–)	Label Set, Scrubber Control	1
2	31965	(000000–)	Switch, Rocker, SPST	1
3	57807	(000000–)	Seal, Rocker Switch	2
4	31964	(000000–)	Switch, Rocker, DPDT	1

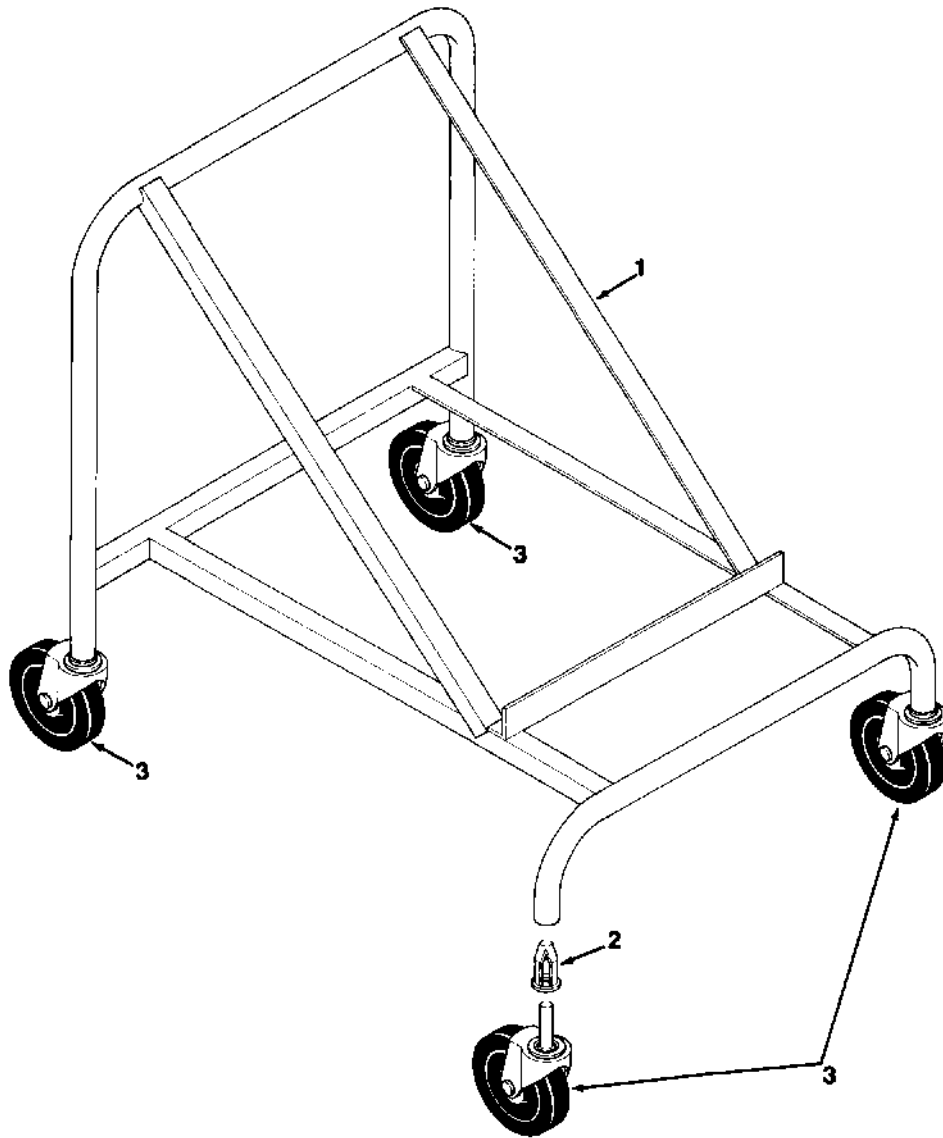
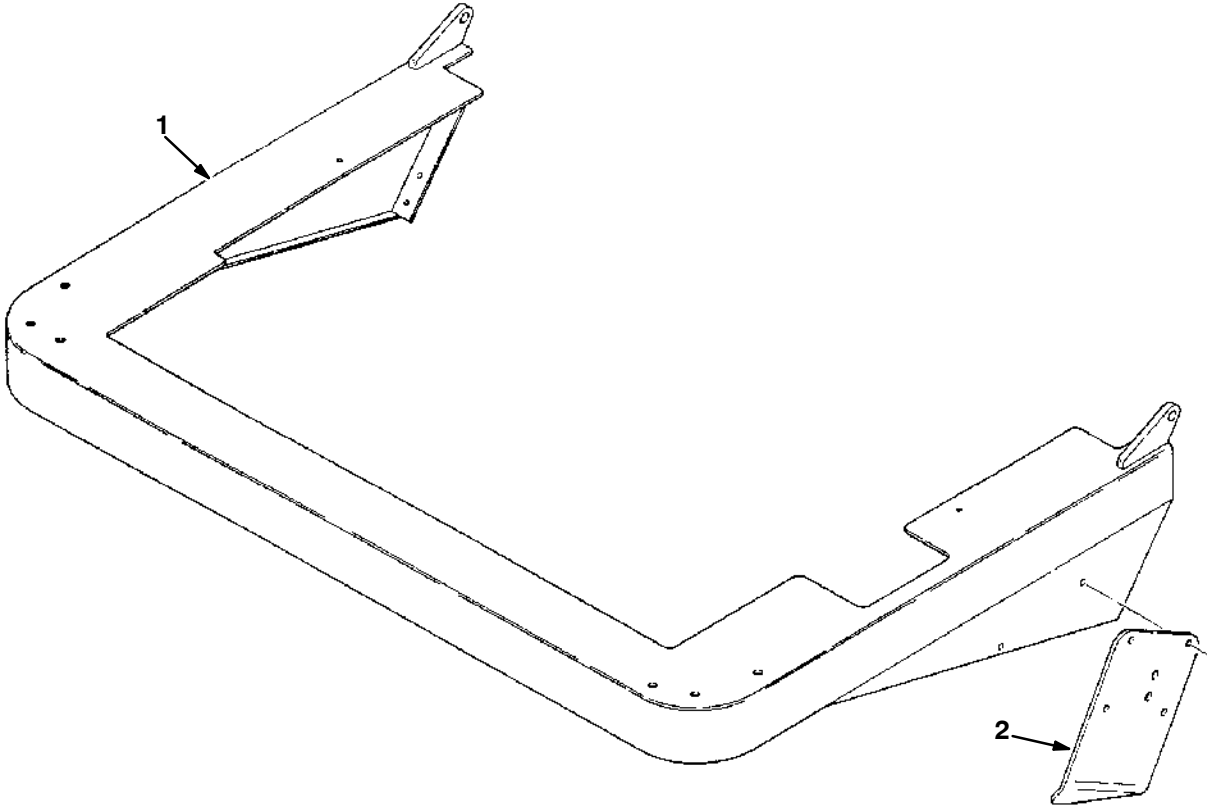


Fig. 21 – Hopper Dolly Assembly

02594

NOTE: Scrubber Attachment Kit, Tennant® Part Number 07436, includes Fig. 16, 17, 18, 19, 20, and 21. Snow Broom Kit, TENNANT® Part Number 02629, includes Fig. 3, 4, 5, and 21. Snow Blade Kit, TENNANT® Part Number 37136, includes Fig. 2, 4, 5, and 21.

Key	TENNANT® Part No.	Machine Serial Number	Description	Qty.
	24147	(000000–)	Dolly Assembly, Hopper	1
1	24145	(000000–)	Dolly, Hopper	1
2	24149	(000000–)	Socket, Caster	4
3	24259A	(000000–)	Caster	4



02728

Fig. 22 – Scrubber Bumper Group

NOTE: Squeegees and Control Kit, TENNANT® Part Number 07522, includes Fig. 6, 13, 14, 15, and 22.

Key	TENNANT® Part No.	Machine Serial Number	Description	Qty.
1	03022	(000000–)	Bumper, Scrubber	1
2	43346A	(000000–)	Guard, Motor	1

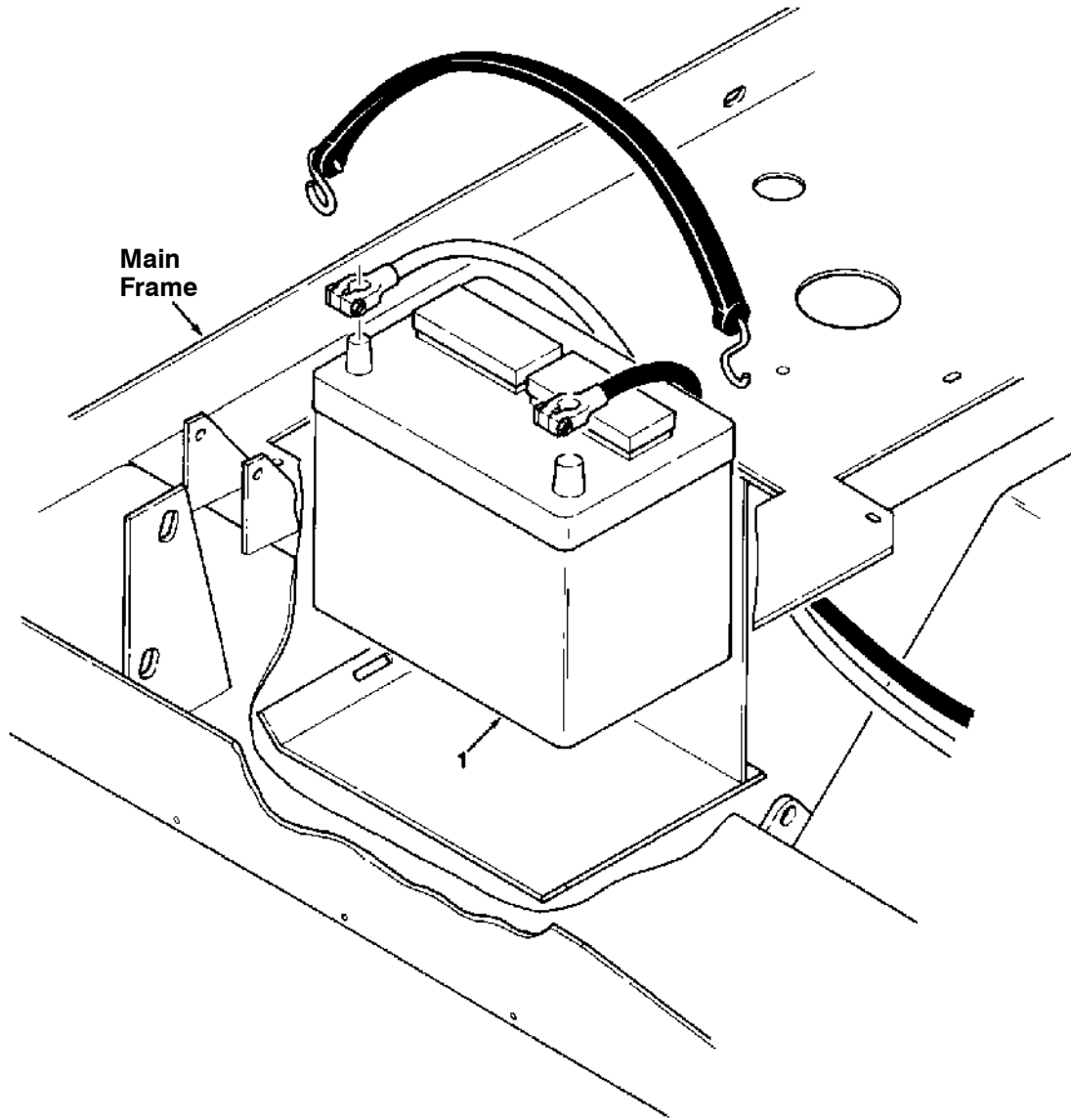


Fig. 23 – Dry Battery Kit

02797

Key	TENNANT® Part No.	Machine Serial Number	Description	Qty.
1	10144	(000000–)	Battery, Dry, 540 CCA	1

NOTE: To identify parts shown but not listed here, see Section 5, Low Dump Model Parts.

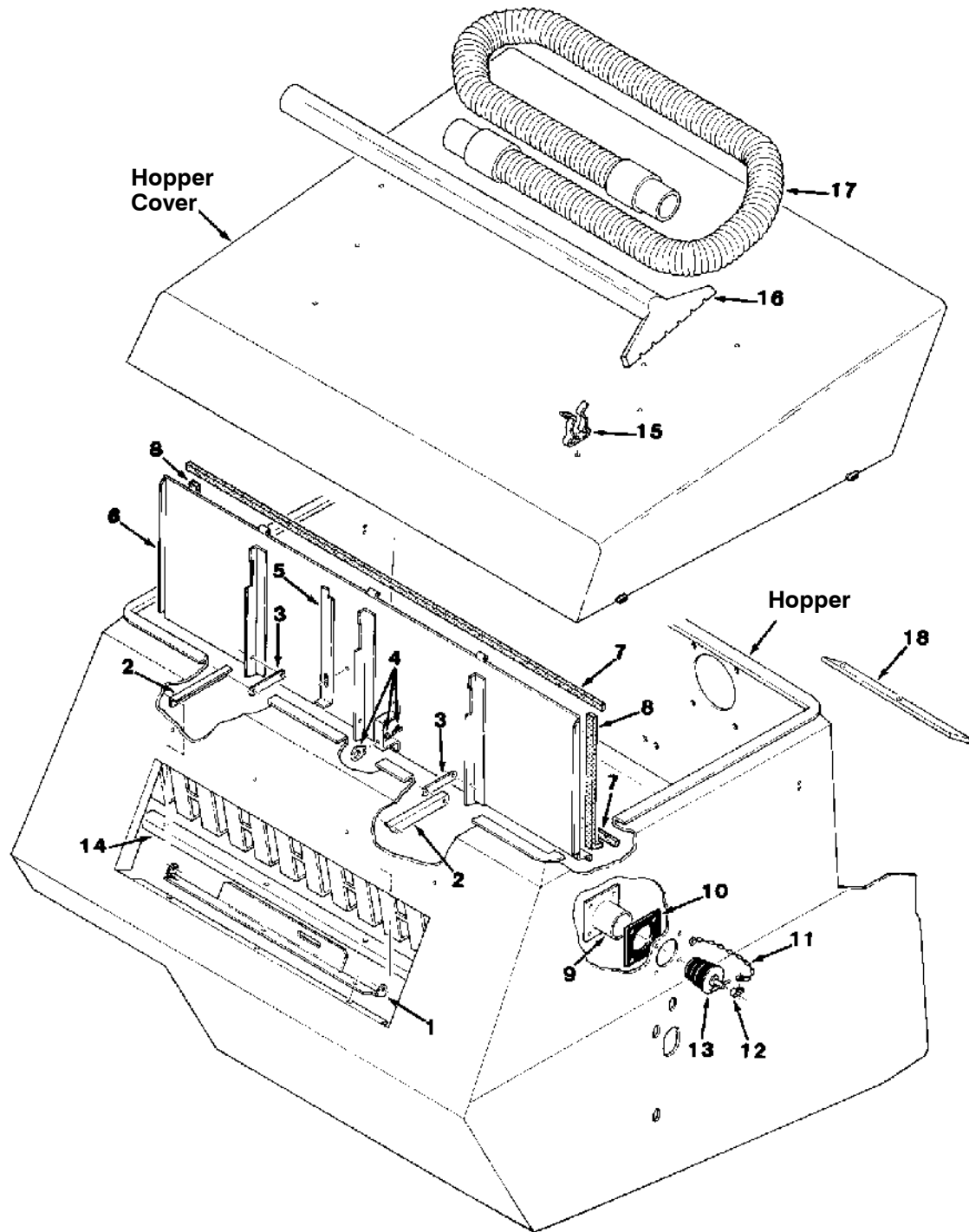


Fig. 24 – Vacuum Wand Kit, Low Dump

NOTE: To identify parts shown but not listed here, see Section 5, Low Dump Model Parts.

Fig. 24 – Vacuum Wand Kit, Low Dump

Key	TENNANT® Part No.	Machine Serial Number	Description	Qty.
	82978	(000000–)	Wand Kit, Vacuum	1
1	82375	(000000–)	Bracket, Stop	1
2	82376	(000000–)	Angle, Door	2
3	82439	(000000–)	Bar, Door	2
4	82315	(000000–)	Latch, Quarter Turn	1
5	82437	(000000–)	Bar, Retaining	1
6	82414	(000000–)	Door, Vacuum Wand	1
7	82297	(000000–)	Seal, Door	2
8	82296	(000000–)	Seal, Door	2
9	82458	(000000–)	Adaptor, Hose	1
10	82459	(000000–)	Seal, Adaptor	1
11	44166	(000000–)	Chain	1
12	26395–2	(000000–)	Clamp, Cable	1
13	42124	(000000–)	Plug, Drain	1
14	82419	(000000–)	Angle, Baffle	1
15	67004	(000000–)	Clip, Finger Grip	7
16	54012	(000000–)	Wand	1
17	54009	(000000–)	Hose and Cuff Assembly	1
18	82576	(000000–)	Counterweight	7

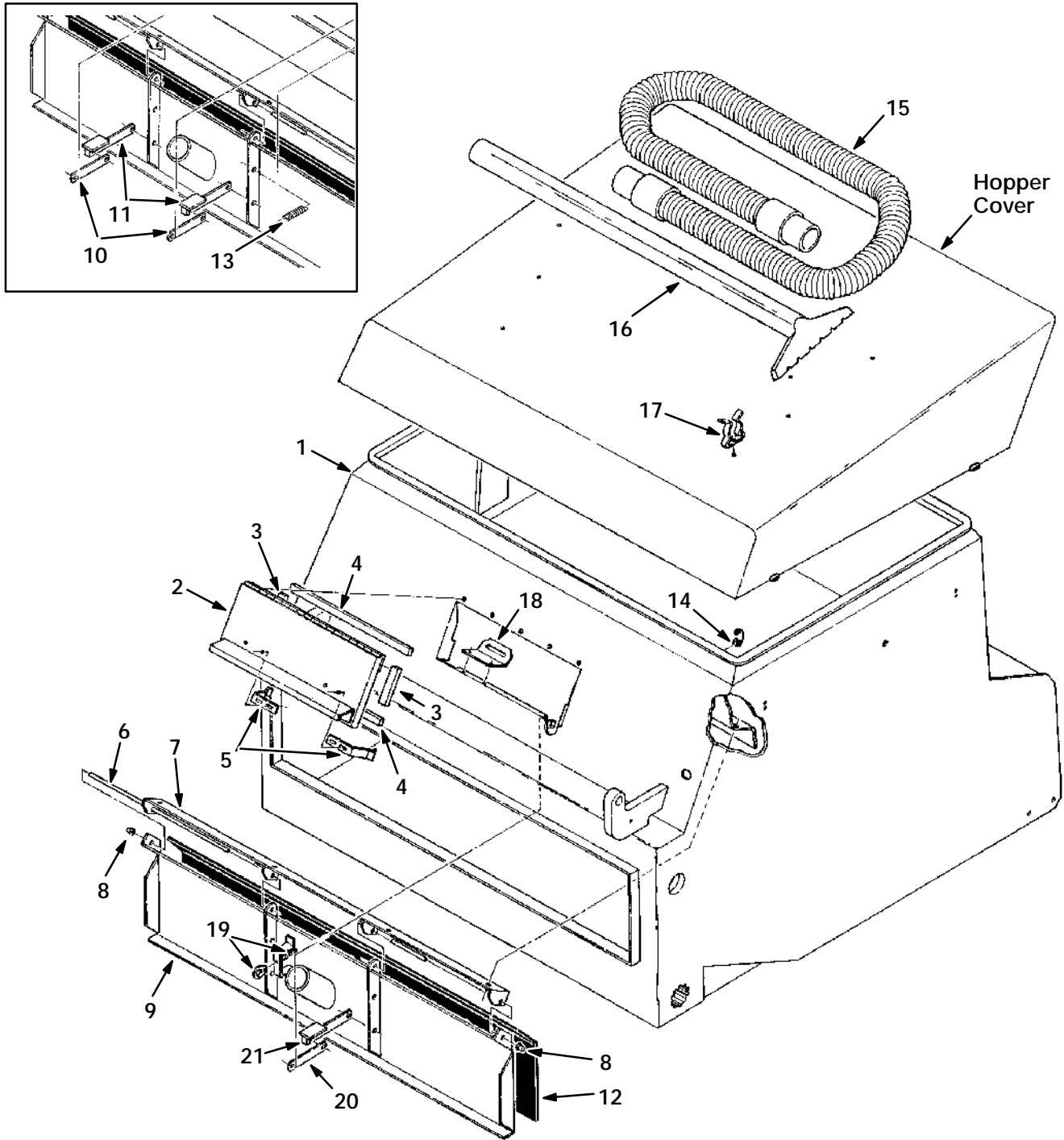


Fig. 25 -- Vacuum Wand Group, Multi--level Dump

NOTE: To identify parts shown but not listed here, see Section 5, Low Dump Model Parts.

Fig. 25 – Vacuum Wand Group, Multi–level Dump

Key	TENNANT® Part No.	Machine Serial Number	Description	Qty.
1	02674	(000000–)	Hopper, Vacuum Wand	1
2	50590	(000000–)	Door, Access	1
3	75423	(000000–)	Seal, Foam Rubber	2
4	50525	(000000–)	Seal, Foam Rubber	2
5	53697	(000000–)	Catch, Spring	2
6	82283	(000000–)	Pin, Hinge	1
7	82280	(000000–)	Mount, Hinge	1
8	82284	(000000–)	Fastener, Cap	2
9	82275	(000000–)	Door, Vacuum Wand	1
10	82288	(000000–010024)	Link, Outer	2
11	82270	(000000–010024)	Link	2
12	82292	(000000–)	Seal, Door	1
13	13352	(000000–010024)	Spring	1
14	47591	(000000–)	Strain Relief	1
15	54009	(000000–)	Hose and Cuff Assembly	1
16	54012	(000000–)	Wand	1
17	67004	(000000–)	Clip, Finger Grip	7
18	07871	(010025–)	Bracket, Stop	1
19	82315	(010025–)	Latch, Quarter Turn	1
20	82288	(010025–)	Link, Outer	1
21	82270	(010025–)	Link	1

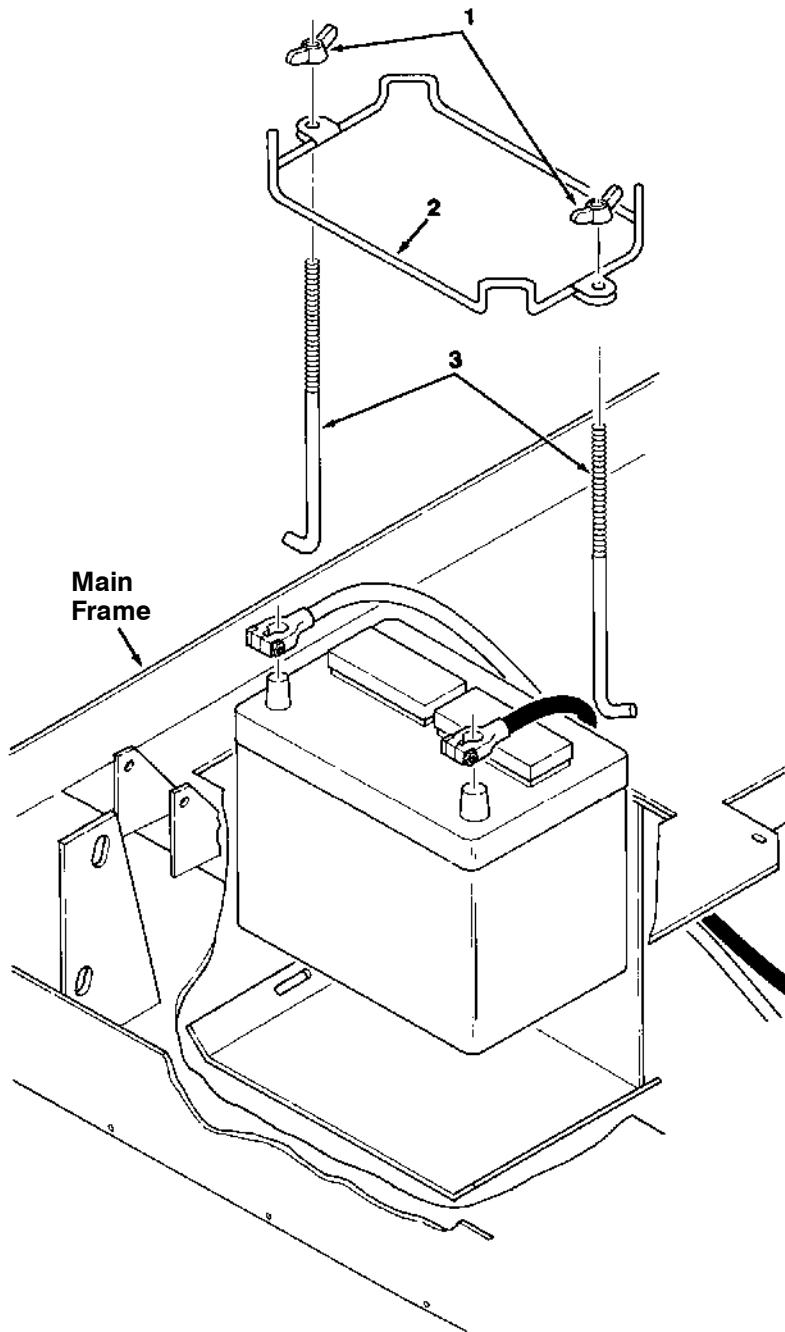


Fig. 26 – Battery Hold Down Kit

02593

Key	TENNANT® Part No.	Machine Serial Number	Description	Qty.
	82922	(000000–)	Hold Down Kit, Battery	1
1	39272	(000000–)	Nut, Wing	2
2	13016	(000000–)	Bracket, Hold Down	1
3	13015	(000000–)	Bolt, Hold Down	2

NOTE: To identify parts shown but not listed here, see Section 5, Low Dump Model Parts.

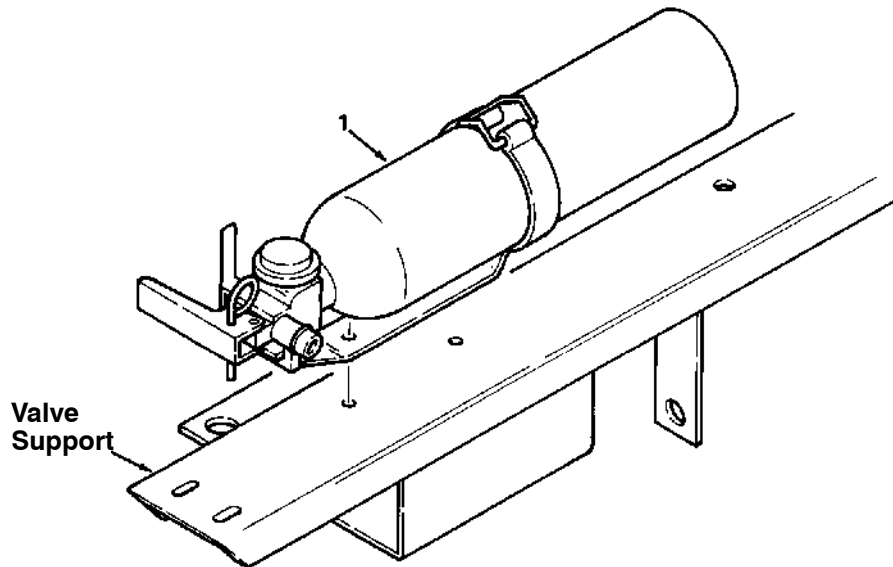


Fig. 27 – Fire Extinguisher Kit

02597

Key	TENNANT® Part No.	Machine Serial Number	Description	Qty.
1	46938	(000000–)	Extinguisher Kit, Fire	1
	25312	(000000–)	Extinguisher, Fire	1

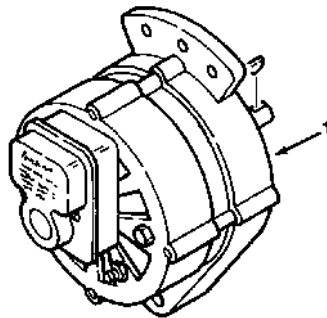


Fig. 28 – Alternator Kit

02798

Key	TENNANT® Part No.	Machine Serial Number	Description	Qty.
1	07211	(000000–)	Alternator, Sealed 51A	1

NOTE: To identify parts shown but not listed here, see Section 5, Low Dump Model Parts.

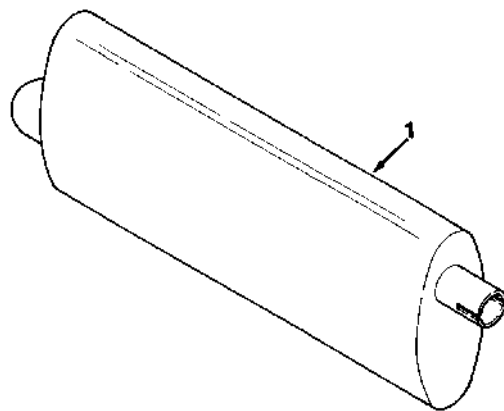


Fig. 29 – Spark Arresting Muffler Kit

02589

Key	TENNANT® Part No.	Machine Serial Number	Description	Qty.
1	82652	(000000–)	Muffler, Spark Arresting	1

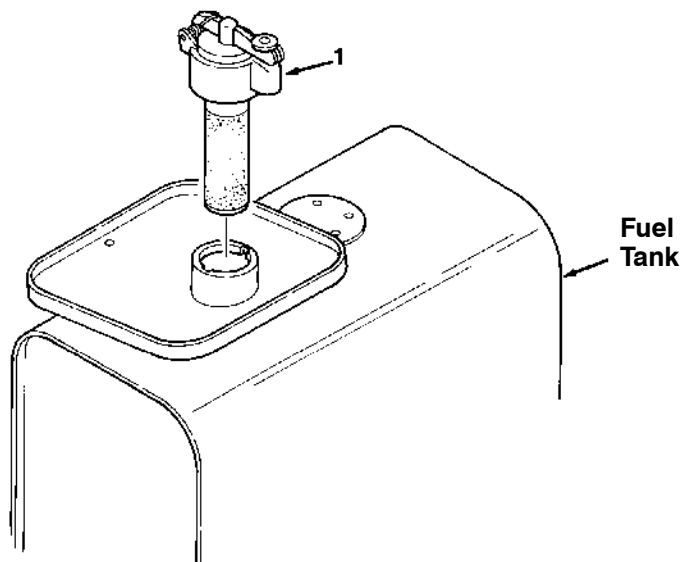


Fig. 30 – Protectoseal Fuel Tank Cap Kit

02550

Key	TENNANT® Part No.	Machine Serial Number	Description	Qty.
1	02506–6	(000000–)	Cap, Protectoseal	1

NOTE: To identify parts shown but not listed here, see Section 5, Low Dump Model Parts.

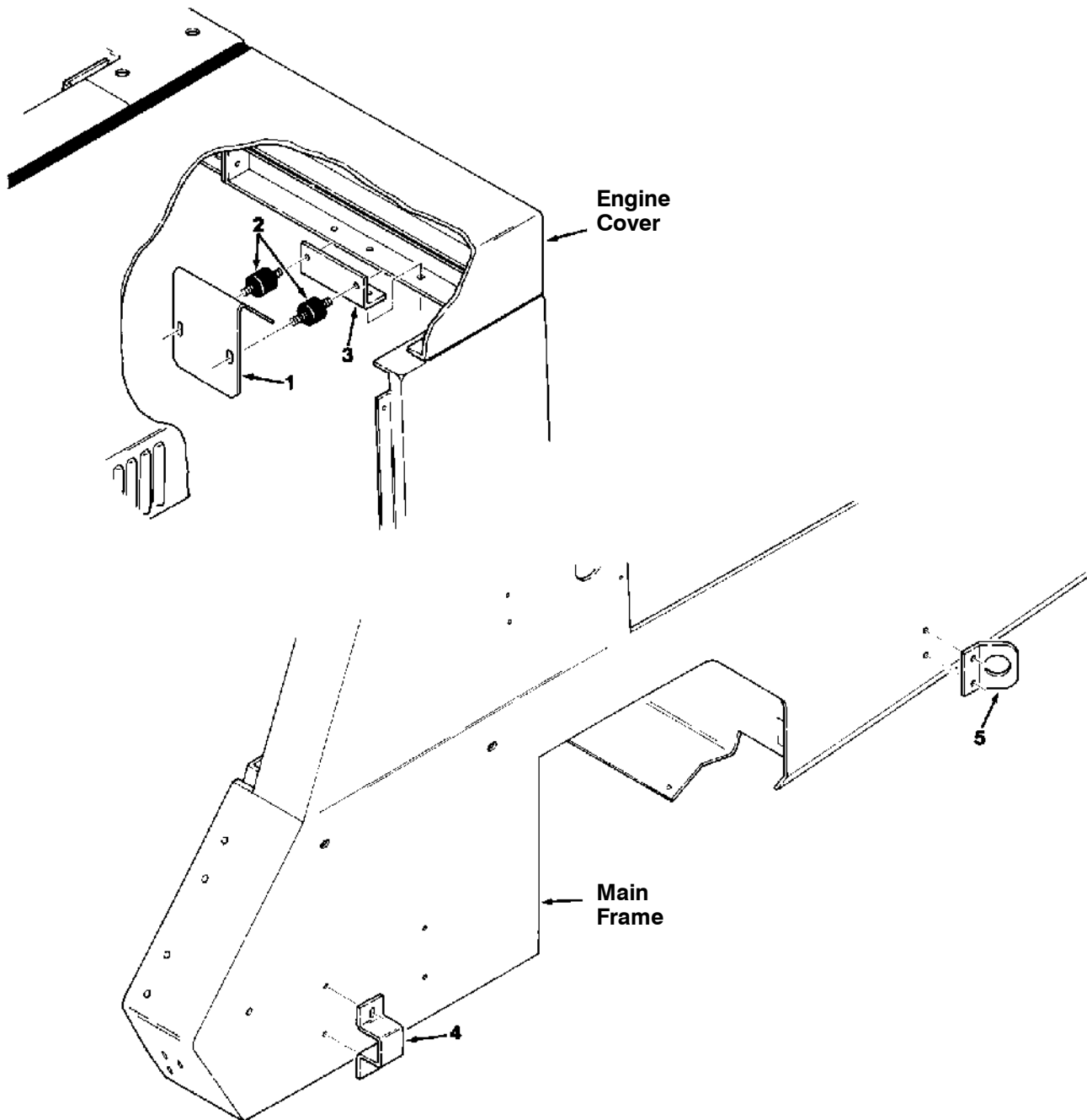


Fig. 31 – Hood Latch and Machine Tie-Down Kit

02813

Key	TENNANT® Part No.	Machine Serial Number	Description	Qty.
	82382	(000000–)	Tie-Down Kit, Hood Latch and Machine	1
1	82380	(000000–)	Latch, Engine Cover	1
2	82661	(000000–)	Isolator, Vibration	2
3	82381	(000000–)	Angle, Support	1
4	82195	(000000–)	Bracket, Front Tie-Down	2
5	82196	(000000–)	Bracket, Rear Tie-Down	2

NOTE: To identify parts shown but not listed here, see Section 5, Low Dump Model Parts.

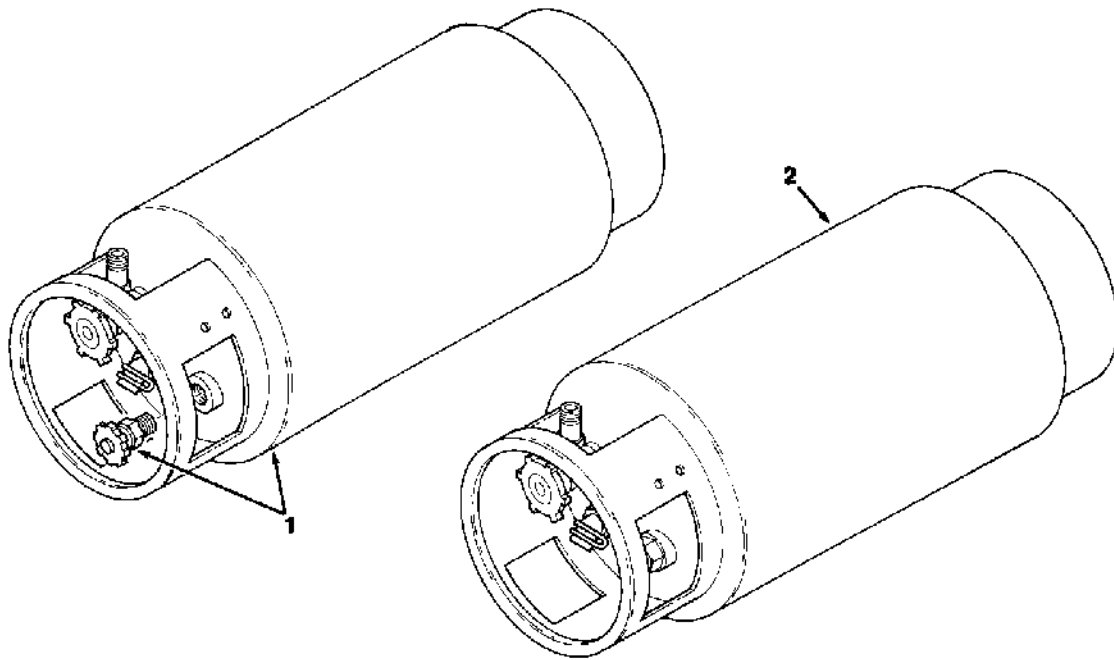


Fig. 32 – Fuel Tanks Group, LPG

02574

Key	TENNANT® Part No.	Machine Serial Number	Description	Qty.
1	24928-1	(000000-)	Tank, LPG, With Filler Valve	1
2	24928	(000000-)	Tank, LPG	1

NOTE: To identify parts shown but not listed here, see Section 5, Low Dump Model Parts.

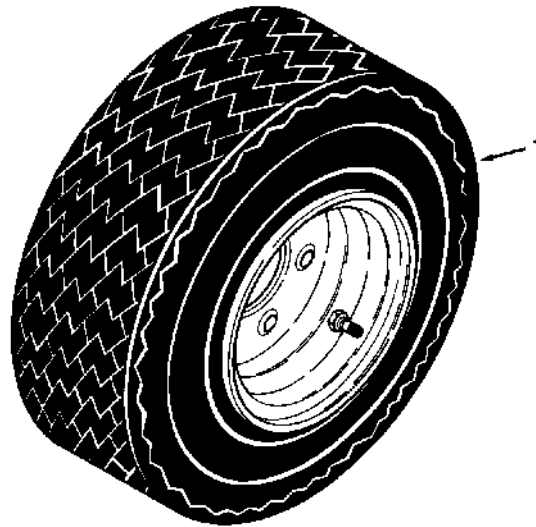


Fig. 33 – Rear Wheel Assembly, Foam Filled

02586

Key	TENNANT® Part No.	Machine Serial Number	Description	Qty.
1	82924	(000000–)	Tire and Wheel Assembly, Foam Filled	1

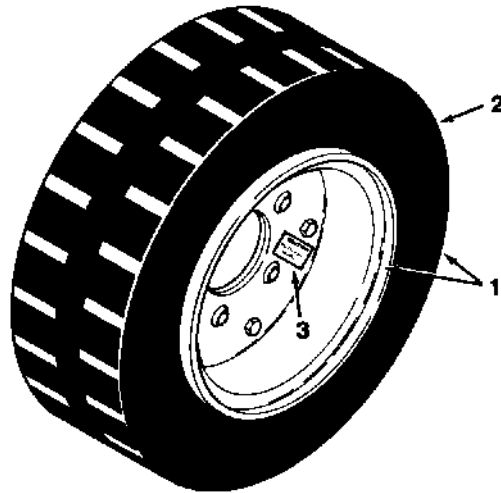


Fig. 34 – Rear Wheel Assembly, Solid

02587

Key	TENNANT® Part No.	Machine Serial Number	Description	Qty.
1	53817	(000000–)	Tire and Wheel Assembly, Solid	1
2	53816	(000000–)	Tire, Solid	1
3	24507	(000000–)	Decal, Caution, This Side Out	1

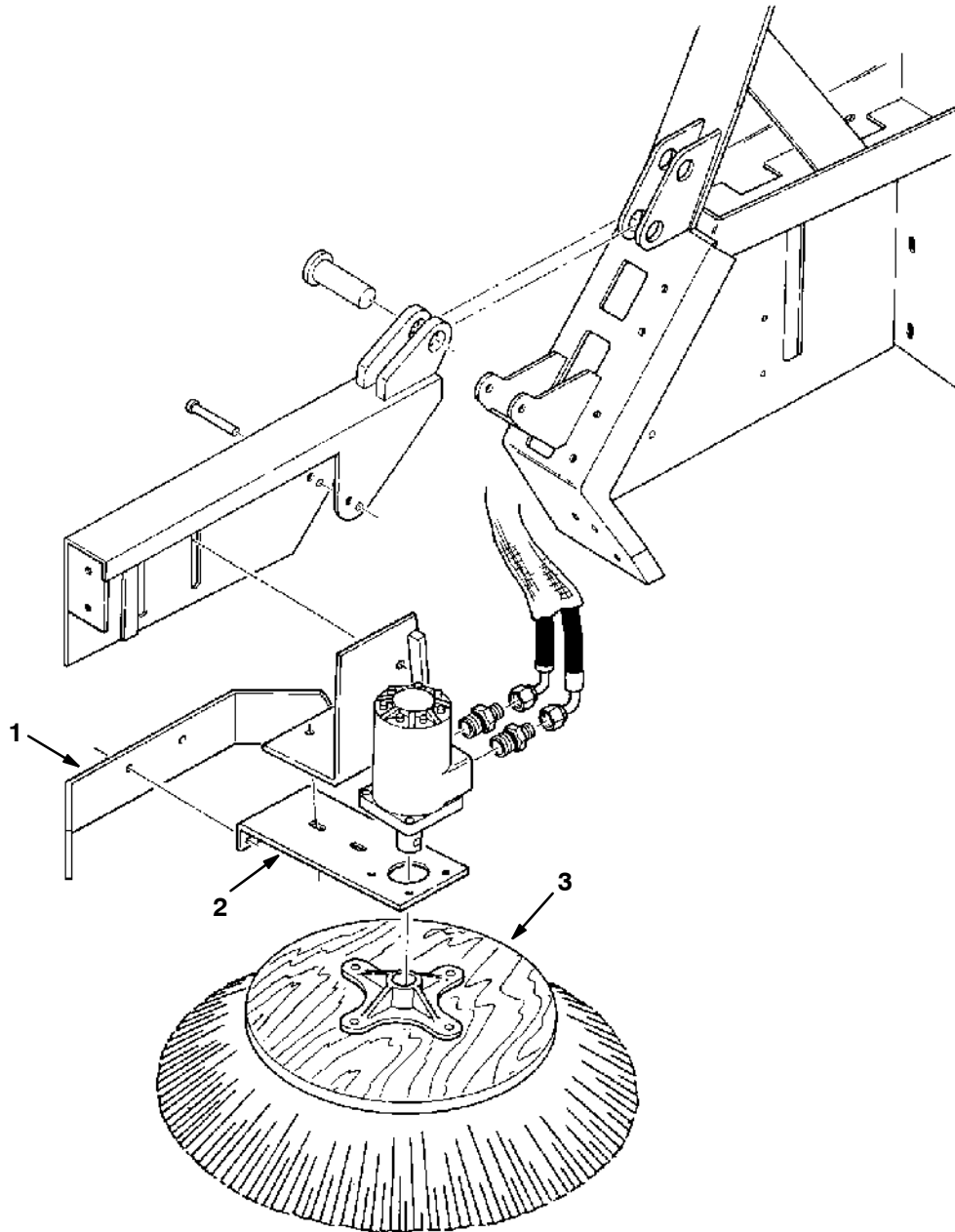


Fig. 35 – Extra Reach Side Brush Group, Multi-Level Dump

04054

Key	TENNANT Part No.	Machine Serial Number	Description	Qty.
1	08007	(000000–)	Bumper, Side Brush	1
2	08008	(000000–)	Bracket, Side Brush Motor	1
3	08017	(000000–)	Side Brush Assembly	1

NOTE: To identify parts shown but not listed here, see SECTION 5, LOW DUMP MODEL PARTS.

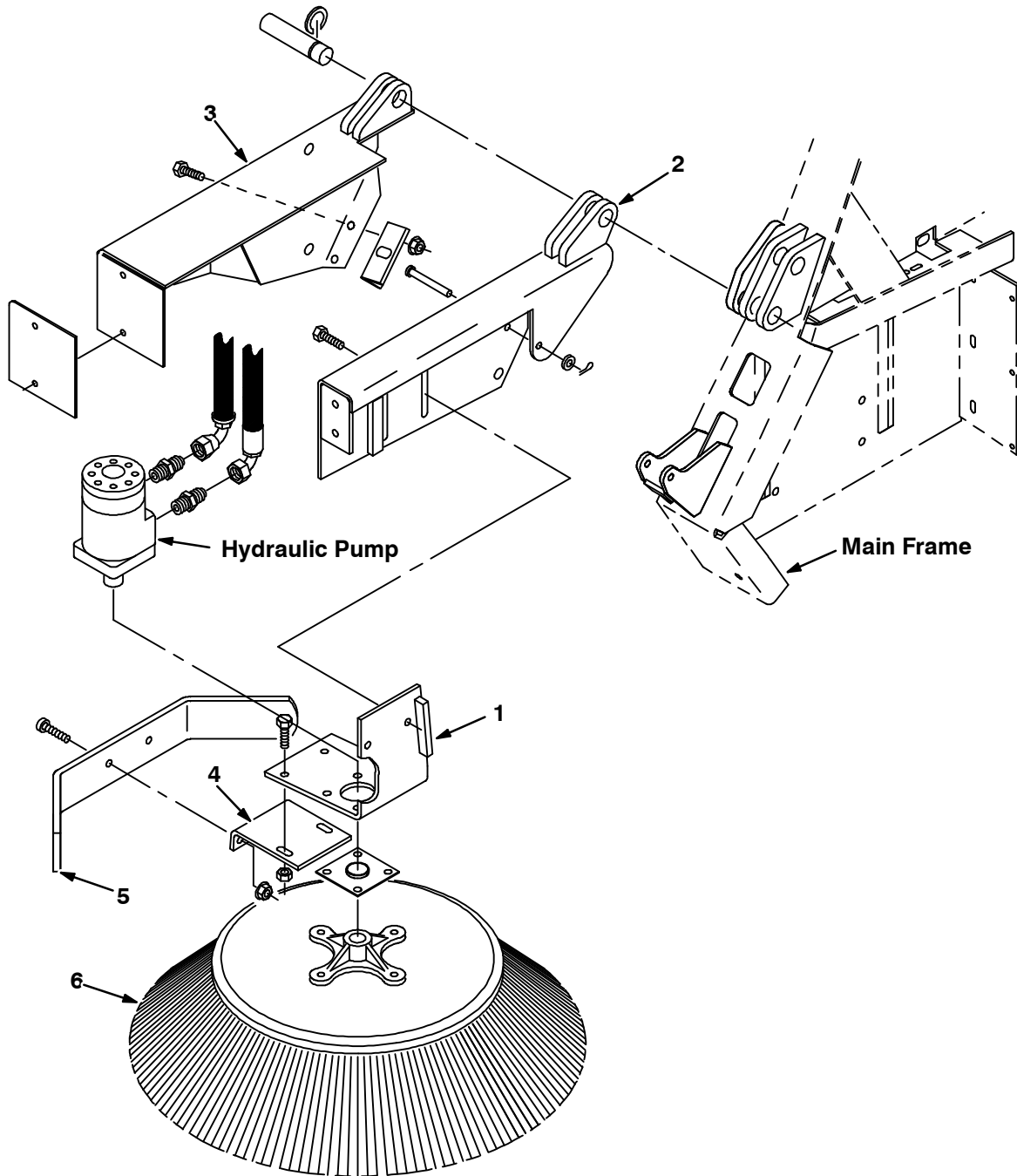


Fig. 36 – Maximum Path Side Brush Group

06094

Key	TENNANT Part No.	Machine Serial Number	Description	Qty.
1	30522	(000000–)	Bracket, Gutter Sweep	1
3	30523	(000000–)	Arm, Side Brush	1
3	30526	(000000–)	Bumper	1
4	30518	(000000–)	Bracket, Bumper	1
5	08007	(000000–)	Bumper	1
6	08017	(000000–)	Brush Assembly	1

NOTE: To identify parts shown but not listed here, see SECTION 5, LOW DUMP MODEL PARTS.

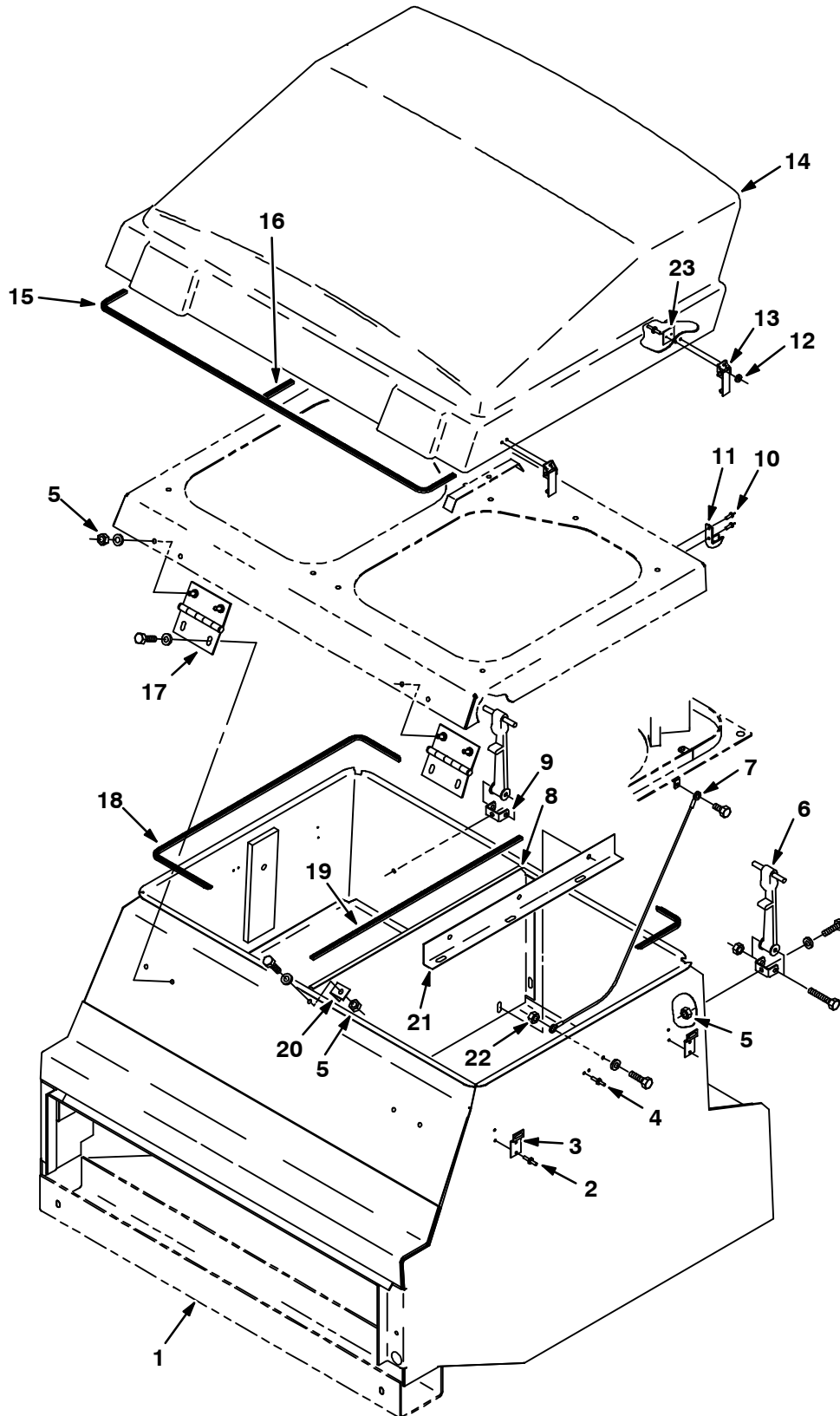


Fig. 37 – Hopper and Cover Group, RFS

Fig. 37 – Hopper and Cover Group, RFS

Key	TENNANT Part No.	Machine Serial Number	Description	Qty.
1	32148	(000000–)	Hopper	1
2	34738	(000000–)	Rivet, Pop	8
3	87056	(000000–)	Strike, Hopper Cover	4
4	02731	(000000–)	Rivet, Plastic	4
5	32983	(000000–)	Nut, Hex	22
6	75118	(000000–)	Hook, Rubber	2
7	87298	(000000–)	Cable, Brush Lift	1
8	32045	(000000–)	Plate, Divider	1
9	40671	(000000–)	Bracket, U	2
10	41732	(000000–)	Rivet, Pop	4
11	40670	(000000–)	Catch, Rubber	2
12	82457	(000000–)	Rivet, Pop	8
13	87579	(000000–)	Latch, Tension	4
14	32107	(000000–)	Cover Assembly	1
15	32262	(000000–)	Seal	1
16	32263	(000000–)	Seal	1
17	32135	(000000–)	Hinge	2
18	32260	(000000–)	Seal	1
19	32261	(000000–)	Seal	1
20	32137	(000000–)	Bracket	1
21	32138	(000000–)	Bracket	1
22	32981	(000000–)	Nut, Hex	1
23	32269	(000000–)	Plate, Reinforcing	4

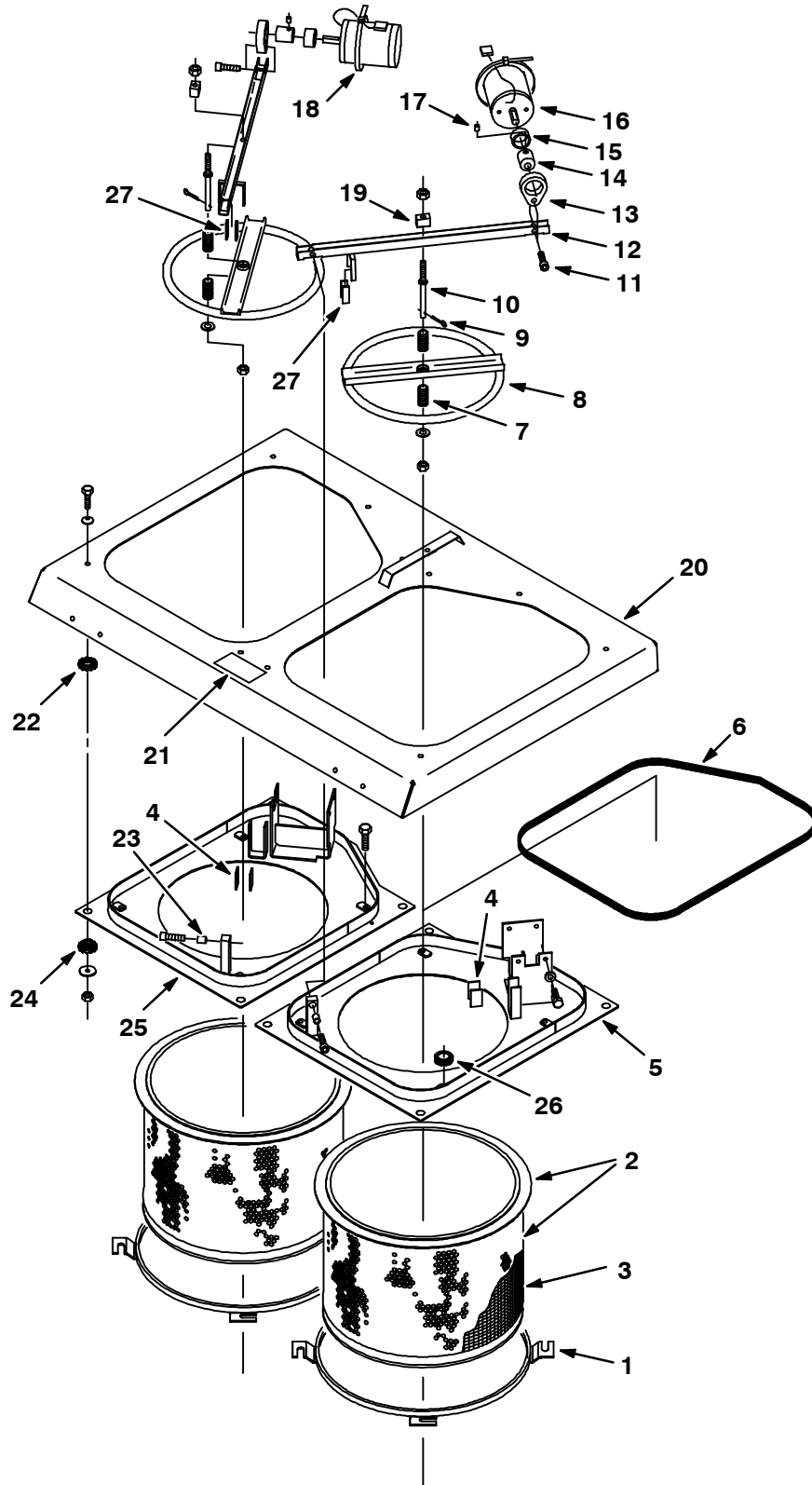


Fig. 38 – Filter and Shaker Group, RFS

Fig. 38 – Filter and Shaker Group, RFS

Key	TENNANT Part No.	Machine Serial Number	Description	Qty.
1	32003	(000000–)	Ring, Support	2
2	31996	(000000–)	Filter	2
3	32082	(000000–)	Screen	2
4	32288	(000000–)	Strip, Nylon	4
5	32015	(000000–)	Plate, Shaker	1
6	32266	(000000–)	Seal	2
7	32145	(000000–)	Spring	4
8	32007	(000000–)	Ring, Shaker	2
9	08182	(000000–)	Pin, Cotter	2
10	32009	(000000–)	Bar, Shaker Stem	2
11	32086	(000000–)	Screw, Shoulder	2
12	31998	(000000–)	Channel	2
13	32005	(000000–)	Link, Motor	2
14	32004	(000000–)	Coupling, Eccentric	2
15	32006	(000000–)	Bearing	2
16	31999	(000000–)	Motor, Electric	2
17	46820	(000000–)	Screw, Set	2
18	44961	(000000–)	Tie, Cable	2
19	32008	(000000–)	Spacer, Nylon	2
20	32273	(000000–)	Plate, Filter	1
21	32228	(000000–)	Label, Hazard, Heavy Panel	1
22	62172	(000000–)	Ring	8
23	32146	(000000–)	Bearing, Sleeve	2
24	62173	(000000–)	Bushing, Rubber Isolator	8
25	32010	(000000–)	Plate, Shaker	1
26	10632	(000000–)	Grommet, Rubber	2
27	32287	(000000–)	Strip, Nylon	4

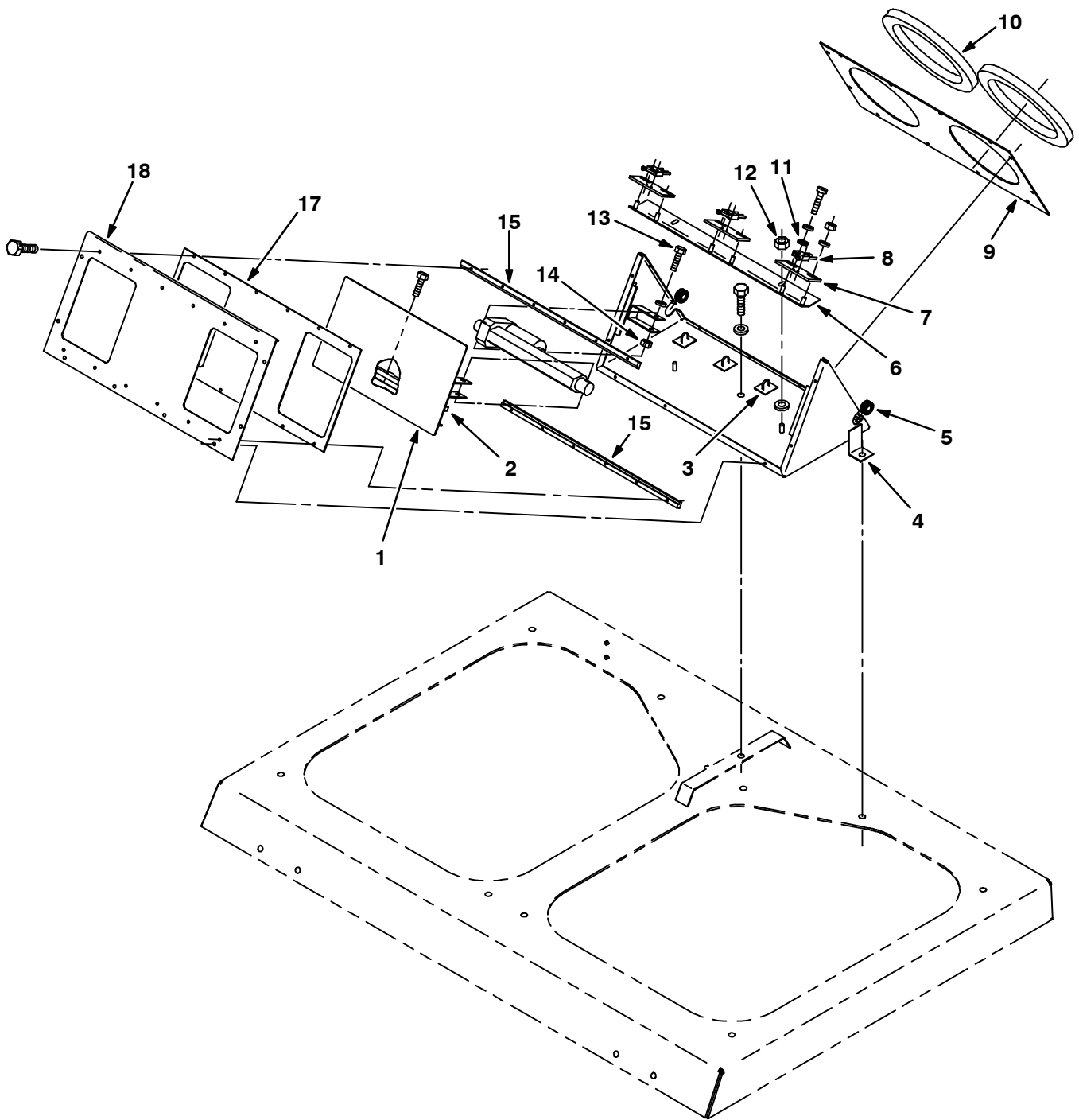


Fig. 39 – Vacuum System Group, RFS

Fig. 39 – Vacuum System Group, RFS

Key	TENNANT Part No.	Machine Serial Number	Description	Qty.
1	32028	(000000–)	Door, Duct	1
2	32143	(000000–)	Strip, Cam	1
3	55248	(000000–)	Mount, Cable Tie	3
4	32022	(000000–)	Duct	1
5	10632–3	(000000–)	Grommet, Rubber	2
6	32091	(000000–)	Bracket, Switch Mounting	1
7	32139	(000000–)	Plate, Switch	3
8	28663	(000000–)	Switch Assembly	3
9	32025	(000000–)	Panel, Duct, Rear	1
10	32081	(000000–)	Gasket, Duct	2
11	14878	(000000–)	Ring–O	6
12	45181	(000000–)	Nut, Hex	2
13	06946	(000000–)	Screw, Hex, M6	2
14	08708	(000000–)	Nut, Nylon Hex, M6	2
15	32049	(000000–)	Strip, Guide	2
16	31997	(000000–)	Actuator, 12 V	1
17	32048	(000000–)	Panel, Door	1
18	32024	(000000–)	Panel, Front Duct	1

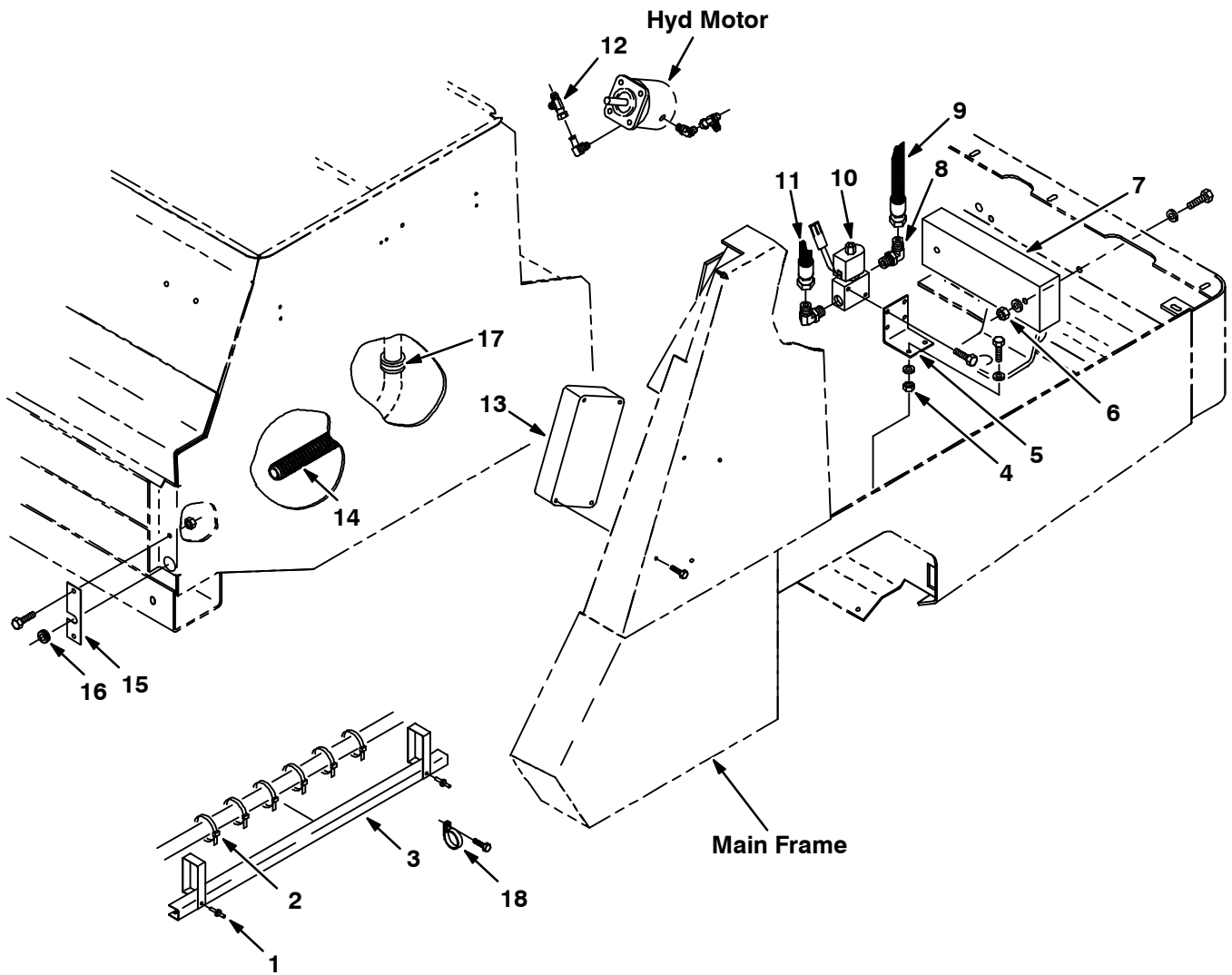


Fig. 40 – Electrical and Hydraulic Group, RFS

Fig. 40 -- Electrical and Hydraulic Group, RFS

Key	TENNANT Part No.	Machine Serial Number	Description	Qty.
1	34738	(000000-)	Rivet, Pop	2
2	49266	(000000-)	Tie, Cable	6
3	32080	(000000-)	Channel, Harness Mounting	1
4	32981	(000000-)	Nut, Nylon Hex	2
5	32214	(000000-)	Bracket, Valve Mounting	1
6	50902	(000000-)	Nut, Nylon Hex	2
7	32011	(000000-)	Counterweight	1
8	69173	(000000-)	Fitting, Barbed Elbow	2
9	56701	(000000-)	Hose	1
10	32169	(000000-)	Solenoid, Valve	1
11	51754	(000000-)	Hose	1
12	45482	(000000-)	Fitting, Tee	2
13	32219	(000000-)	Logic Assembly, Autosshaker	1
14	68598	(000000-)	Conduit, Flex-Gard	1
15	32152	(000000-)	Plate	1
16	10632-3	(000000-)	Grommet, Rubber	2
17	10632	(000000-)	Grommet, Rubber	1
18	26395-1	(000000-)	Clamp	1

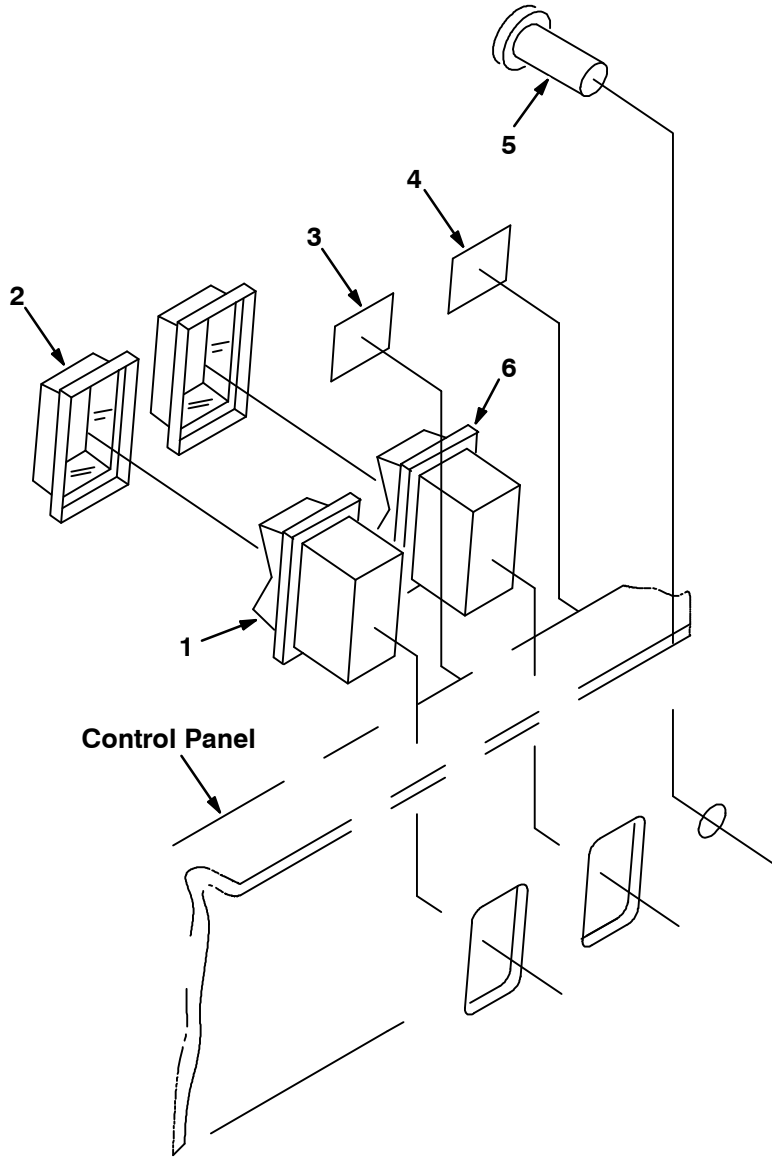


Fig. 41 – Switch and Circuit Group, RFS

06137

Key	TENNANT Part No.	Machine Serial Number	Description	Qty.
1	31965	(000000–)	Switch, Rocker SPST	1
2	57807	(000000–)	Cover, Rocker Switch Seal	2
3	32089	(000000–)	Label, Vacuum Fan Shut–Off	1
4	32090	(000000–)	Label, Filter Shaker	1
5	34820	(000000–)	Light, Indicator	1
6	31970	(000000–)	Switch, Rocker SPST (Mom)	1

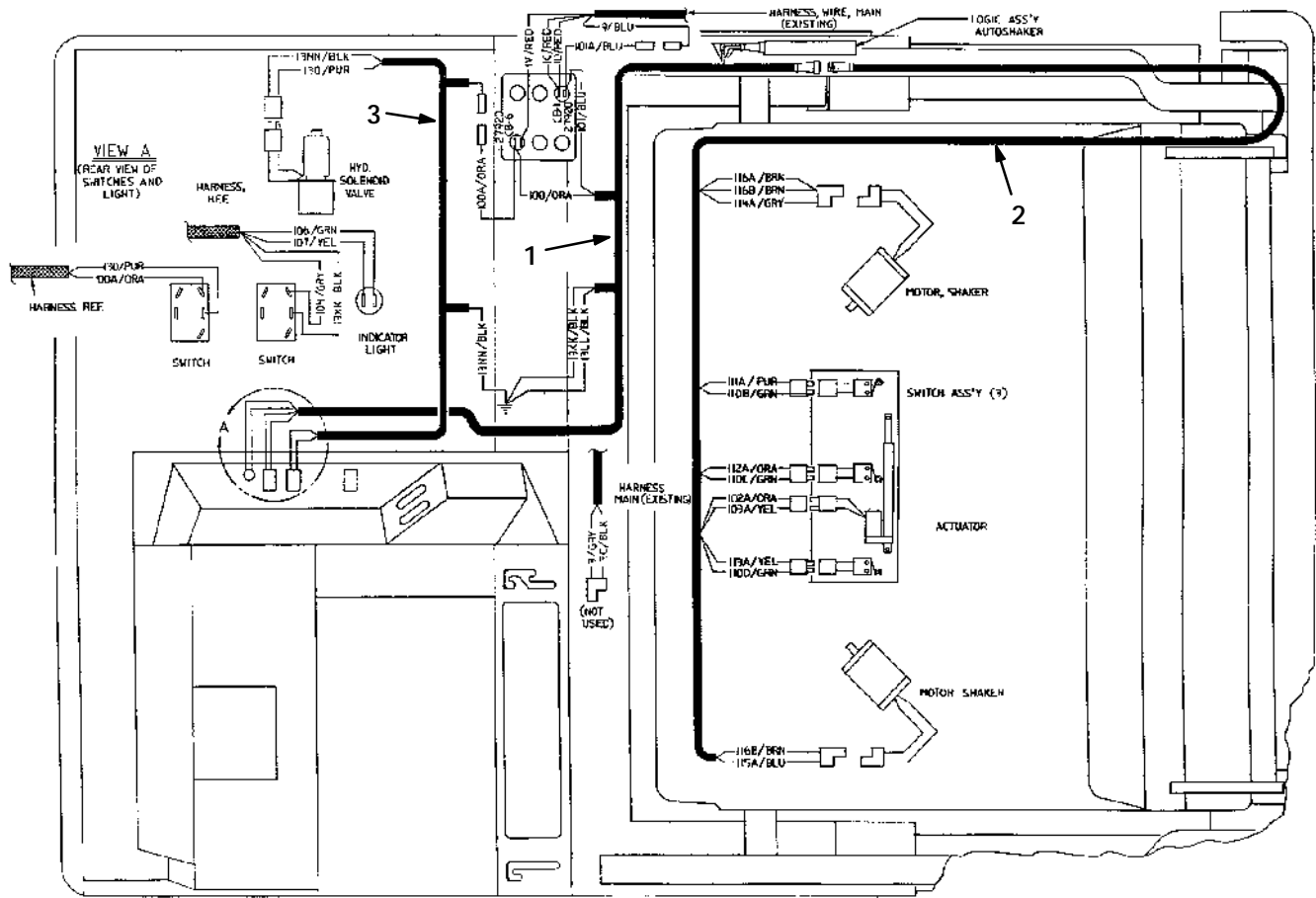


Fig. 42 -- Wire Harnesses Group, RFS

06188

Key	TENNANT Part No.	Machine Serial Number	Description	Qty.
1	28653	(000000-)	Harness, Wire, Shaker Main	1
2	28654	(000000-)	Harness, Wire, Shaker Hopper	1
3	32225	(000000-)	Harness, Wire, Vacuum Fan Bypass	1

CONTENTS

	Page
ORDERING REPAIR PARTS	9-3
Fig. 1 – Hydraulic Piston Pump Breakdown 02704	9-4
Fig. 2 – Pump Hydraulic Gear Breakdown 82205	9-6
Fig. 3 – Hydraulic Motor Breakdown 48663	9-7
Fig. 4 – Hydraulic Motor Breakdown 13106	9-8
Fig. 5 – Hydraulic Motor Breakdown 27800	9-9
Fig. 6 – Hydraulic Motor Breakdown 13105	9-10
Fig. 7 – Hydraulic Motor Breakdown 28808	9-11
Fig. 8 – Hydraulic Motor Breakdown 77101	9-12
Fig. 9 – Hydraulic Motor Breakdown 27796	9-13
Fig. 10 – Hydraulic Motor Breakdown 27787	9-14
Fig. 11 – Hydraulic Valve Breakdown 62550	9-15
Fig. 12 – Hydraulic Valve Breakdown 34319	9-16
Fig. 13 – Hydraulic Solenoid Valve Breakdown 82754	9-17
Fig. 14 – Hydraulic Cylinder Breakdown 04468	9-18
Fig. 15 – Hydraulic Cylinder Breakdown 82757	9-19
Fig. 16 – Hydraulic Cylinder Breakdown 04471	9-20

*NOTE: SECTION 9, HYDRAULIC COMPONENTS,
lists repair parts for repairable hydraulic components.*

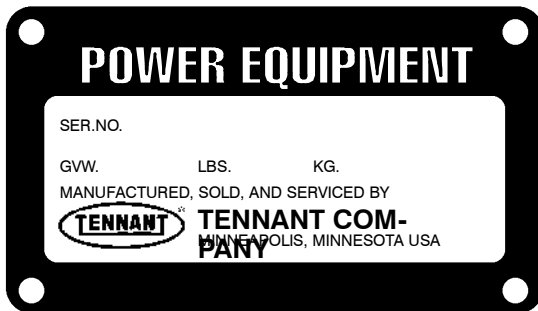
ORDERING REPAIR PARTS

The components used in this machine have been carefully selected for performance and safety. Use only Tennant Company specified or equivalent parts.

To receive prompt service in filling of your parts orders, please direct all orders for parts with Tennant Company part numbers to the Tennant Company, and all orders for parts with vendor part numbers to the local supplier of the respective vendor.

When ordering parts, please furnish all of the following information:

1. Machine model number - shown on the machine data plate.



2. Machine serial number - shown on the machine data plate.
3. Power source - gasoline, LPG, diesel, electric.
4. Company name.
5. Shipping address.
6. Billing address.
7. Name, first and last - of person ordering parts.
8. Telephone number.
9. Purchase order number.
10. Part number, description, and quantity - of each item on the order.

Do not order parts by key number or the figure number of the illustrated parts. Indented items indicate parts of assemblies. Standard hardware is furnished only when part of a purchased assembly. Please get hardware from a local hardware supplier.

If the old part cannot be identified, send it to us with the quantity needed specified on the order.

Any claim for loss or damage to a shipment in transit should be filed promptly against the transportation company making the delivery. Shipments will be complete unless the packing list or order acknowledgement indicate items back ordered.

If parts received are suspected to be incorrect or defective, please write, wire, or phone the Tennant Company representative from whom you ordered the part. They will give authorization for return and/or handle replacement shipments when required.

SERIAL NUMBER INFORMATION EXPLANATION

Serial number listings are shown to indicate on which machines each part can be used. These listings are explained by the following examples:

(000000—) The part can be used on all machines.

(003342—) The part can be used on all machines beginning with the serial number listed.

(000000—004320) The part can be used on all machines up to and including serial number listed.

(004321—005678) The part can be used on all machines between and including the serial numbers listed.

Where xxxxxx's are listed in place of a serial number, it indicates a change was made but the exact serial number had not been established when the catalog went to press.

SI UNITS OF MEASURE (INTERNATIONAL SYSTEM)

Metric equivalents have been included, where applicable, throughout this parts catalog.

FASTENER STRENGTH IDENTIFICATION

Fasteners required to have high—strength qualities equivalent to SAE Grade 8 are identified throughout this catalog by the description GR 8. Unless identified by this description, all standard fasteners are SAE Grade 5.

(Specifications and design subject to change without notice.)

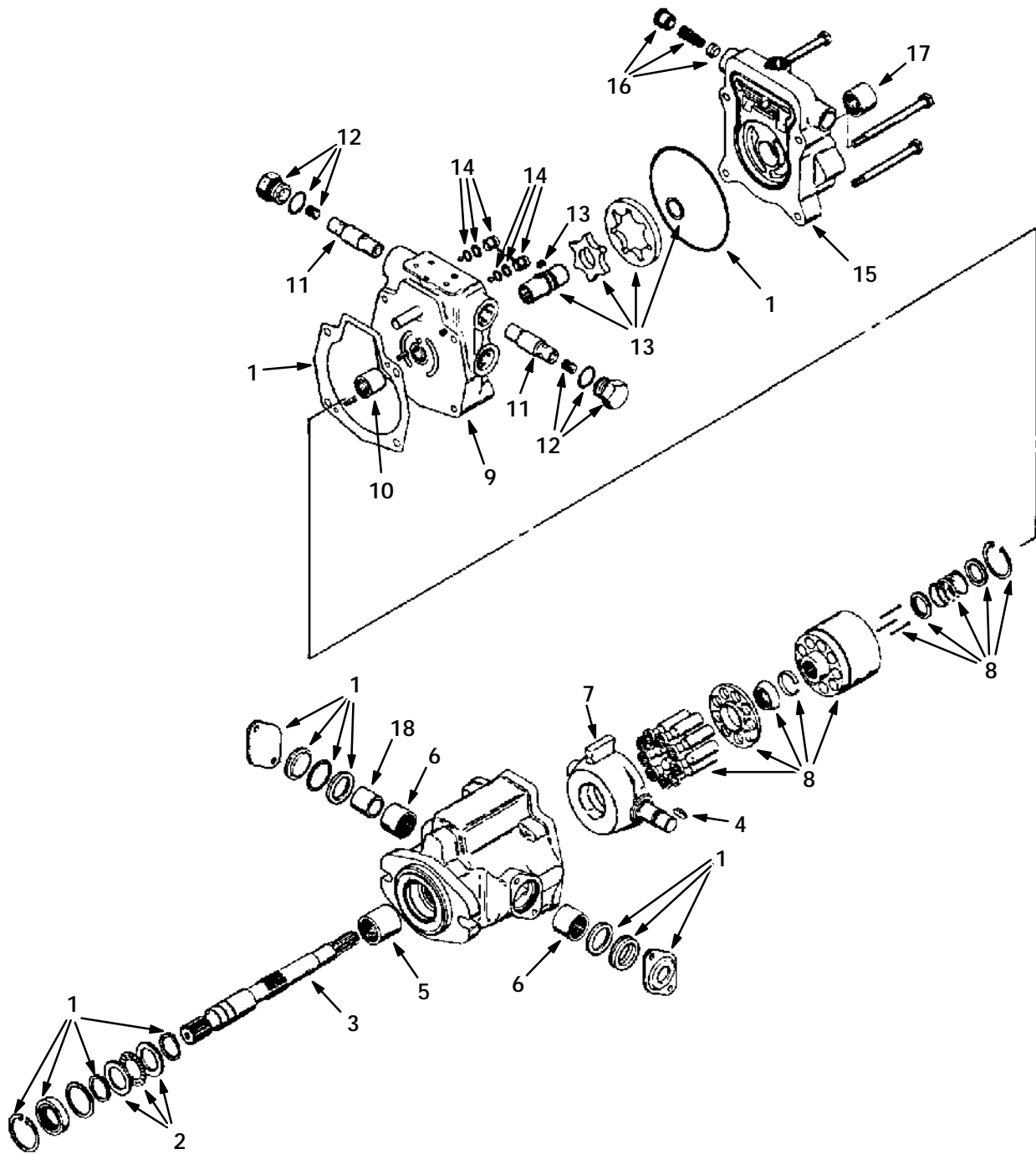


Fig. 1 -- Hydraulic Piston Pump Breakdown 02704

Fig. 1 – Hydraulic Piston Pump Breakdown 02704

Key	TENNANT® Part No.	Manufacturer Serial Number	Description	Qty.
	02704	(000000–)	Pump, Hydraulic	1
1	02711	(000000–)	Seal Kit	1
2	55922	(000000–)	Bearing Kit, Thrust	1
3	55931	(000000–)	Shaft, Pump	1
4	02710	(000000–)	Key	1
5	55939	(000000–)	Bearing, Roller	1
6	02709	(000000–)	Bearing, Trunnion	2
7	02708	(000000–)	Plate, Cam	1
8	02706	(000000–)	Rotating Kit	1
9	02707	(000000–)	Back Plate	1
10	55937	(000000–)	Bearing, Roller	1
11	55941	(000000–)	Valve, Relief	2
12	57210	(000000–)	Plug Assembly	2
13	55932	(000000–)	Gerotor and Coupler Assembly	1
14	37457	(000000–)	Valve Assembly	2
15	55930	(000000–)	Pump Adaptor Assembly	1
16	55906	(000000–)	Valve, Charge Relief	1
17	55929	(000000–)	Bearing, Roller	1
18	02705	(000000–)	Bearing, Inner Race	1

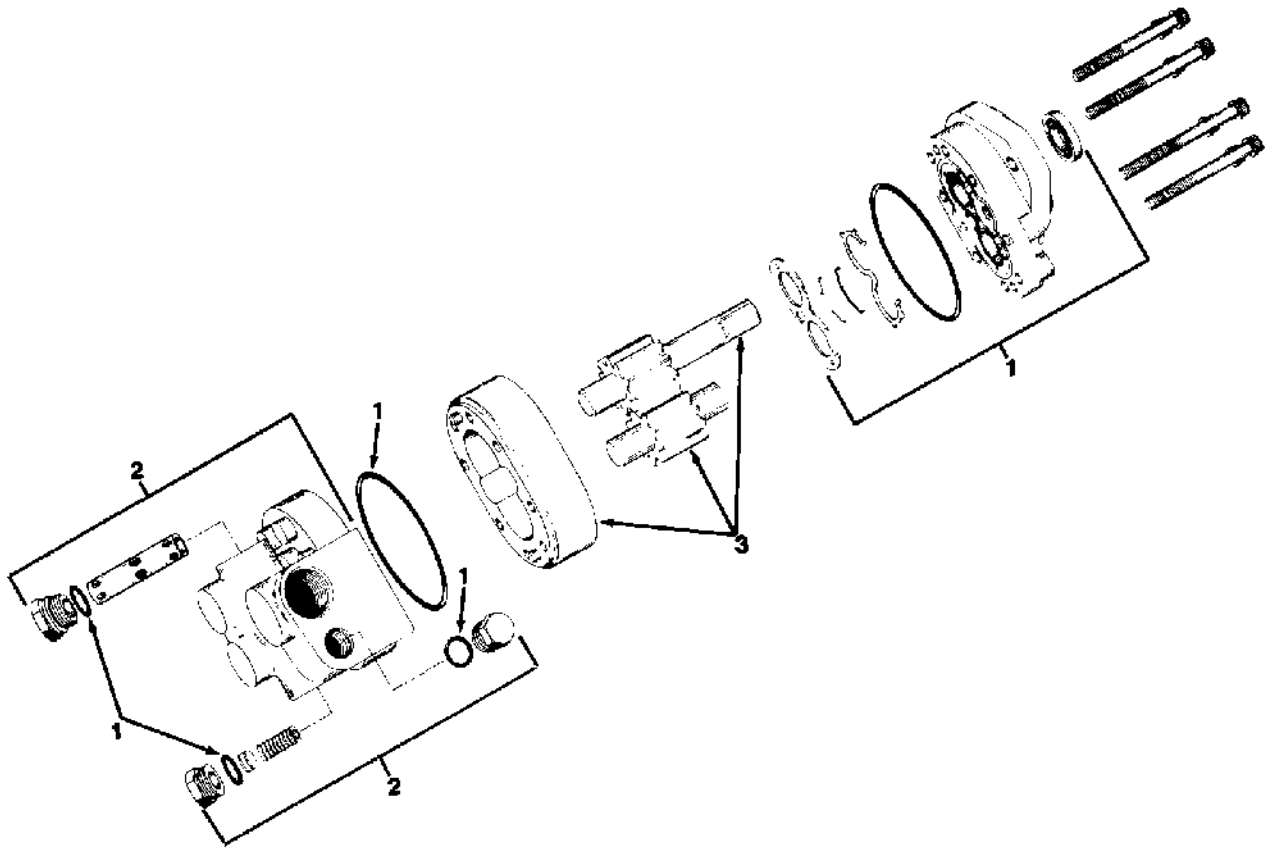
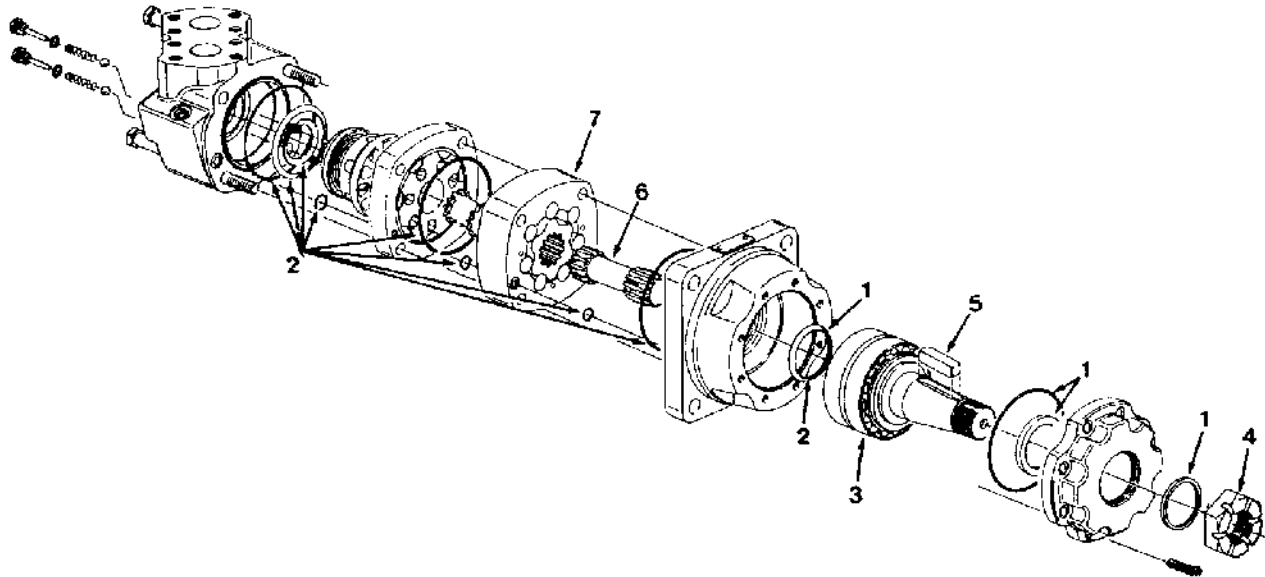


Fig. 2 – Pump Hydraulic Gear Breakdown 82205

04507

Key	TENNANT® Part No.	Manufacturer Serial Number	Description	Qty.
	82205	(000000–)	Pump, Hydraulic	1
1	57064	(000000–)	Seal Kit, Pump	1
2	82333	(000000–)	Back Plate Kit	1
3	02602	(000000–)	Gear and Body Kit	1



01737

Fig. 3 – Hydraulic Motor Breakdown 48663

Key	TENNANT® Part No.	Manufacturer Serial Number	Description	Qty.
	48663	(000000–)	Motor, Hydraulic	1
1	33579	(000000–)	Seal Kit, Shaft	1
2	33580	(000000–)	Seal Kit, Rear	1
3	33694	(000000–)	Shaft And Bearing Assembly	1
4	45622	(000000–)	Nut	1
5	45623	(000000–)	Key	1
6	37616	(000000–)	Drive	1
7	37756	(000000–)	Gerotor	1

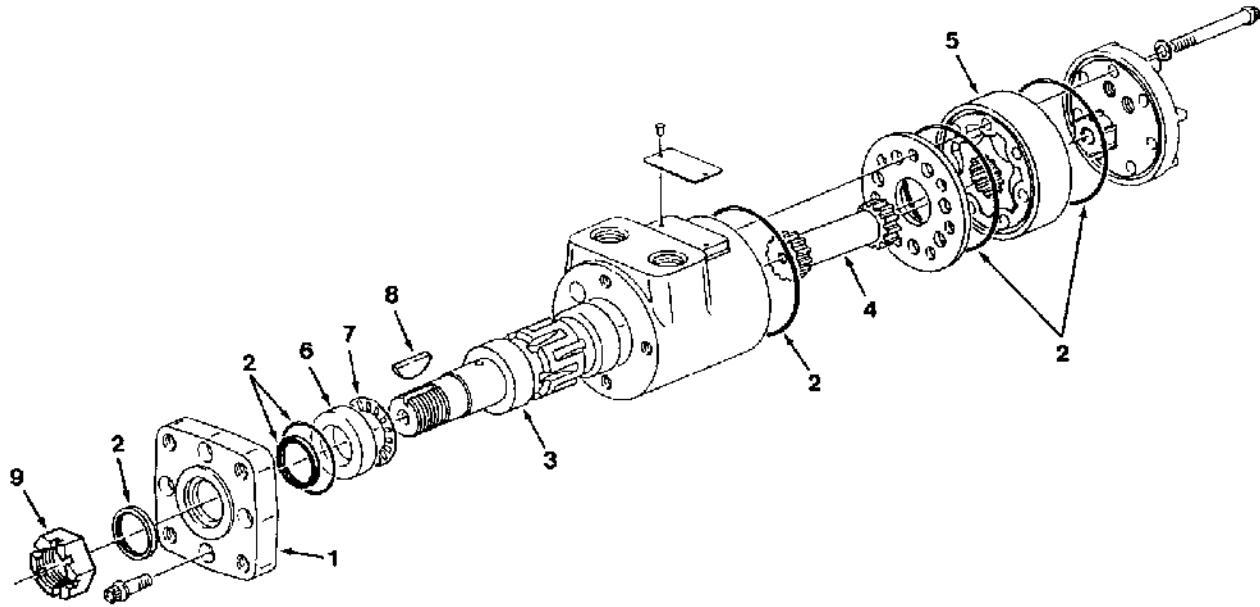
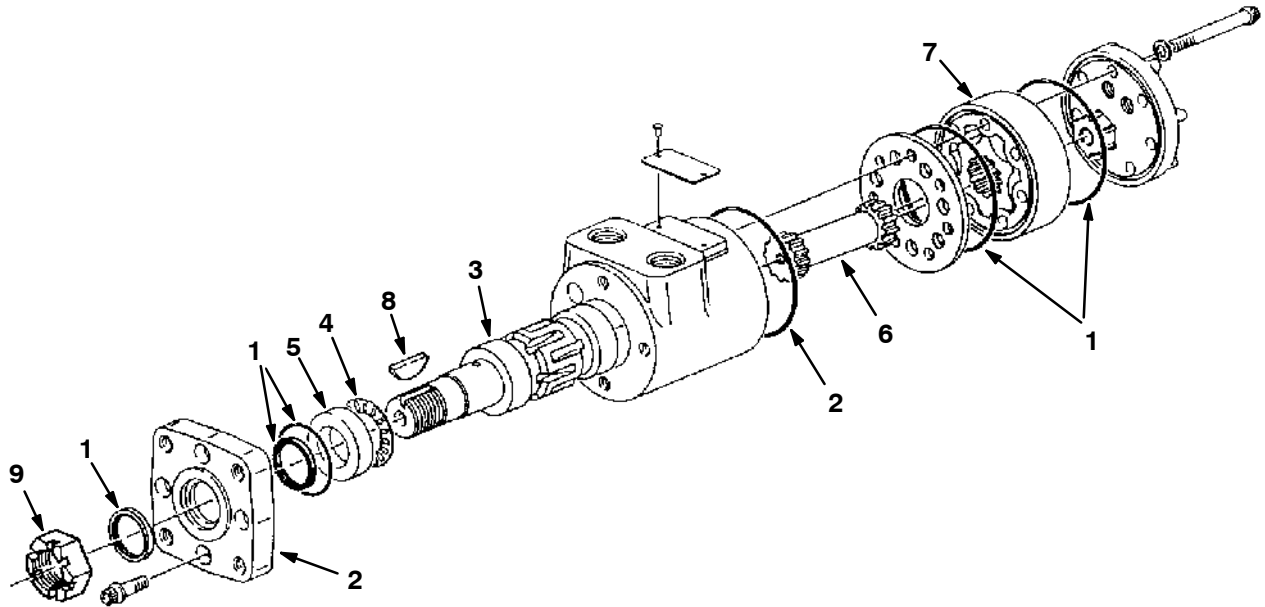


Fig. 4 – Hydraulic Motor Breakdown 13106

03939

Key	TENNANT® Part No.	Manufacturer Serial Number	Description	Qty.
	13106	(000000–)	Motor, Hydraulic	1
1	34174	(000000–)	Flange, Mounting	1
2	28835	(000000–)	Seal Kit	1
3	37617	(000000–)	Shaft	1
4	34176	(000000–)	Drive	1
5	34177	(000000–)	Gerotor	1
6	16695	(000000–)	Race, Thrust	1
7	45628	(000000–)	Thrust, Bearing	1
8	00500–15	(000000–)	Key, Woodruff	1
9	39527	(000000–)	Nut, Slotted Hex	1



05347

Fig. 5 – Hydraulic Motor Breakdown 27800

Key	Tennant® Part No.	Manufacturer Serial Number	Description	Qty
	27800	(000000–)	Motor, Hydraulic	1
1	28835	(000000–)	Seal Kit	1
2	31354	(000000–)	Flange, Mounting	1
	31374	(000000–)	Output Shaft Assembly	1
3	31375	(000000–)	Shaft, Output	1
4	45628	(000000–)	Bearing	1
5	16695	(000000–)	Race, Thrust	1
6	31380	(000000–)	Drive	1
7	31383	(000000–)	Gerotor Set	1
8	00500–15	(000000–)	Key, Woodruff	1
9	39527	(000000–)	Nut, slotted Hex	1

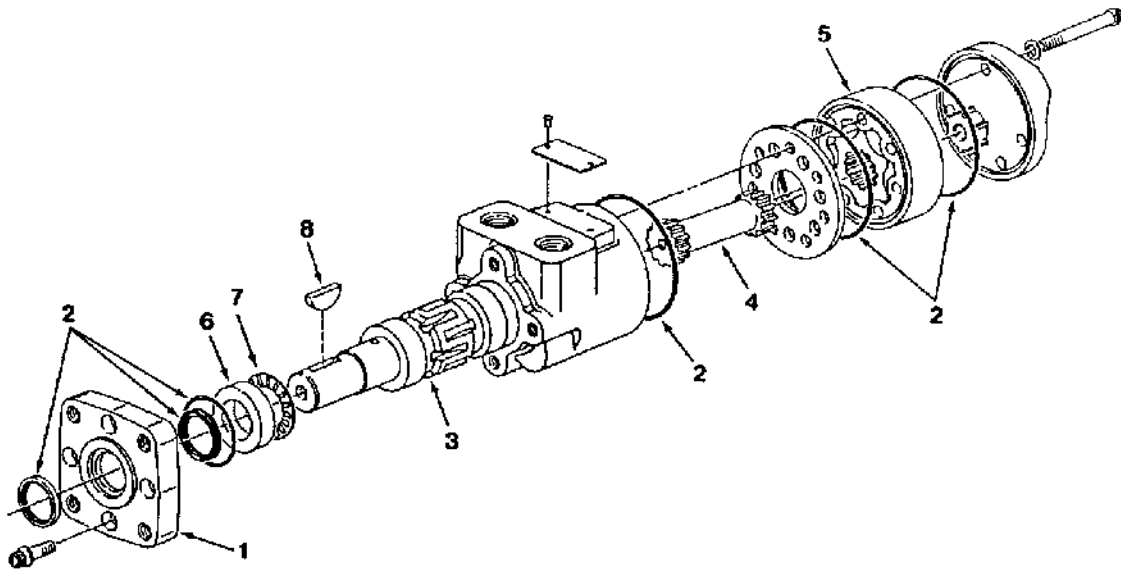
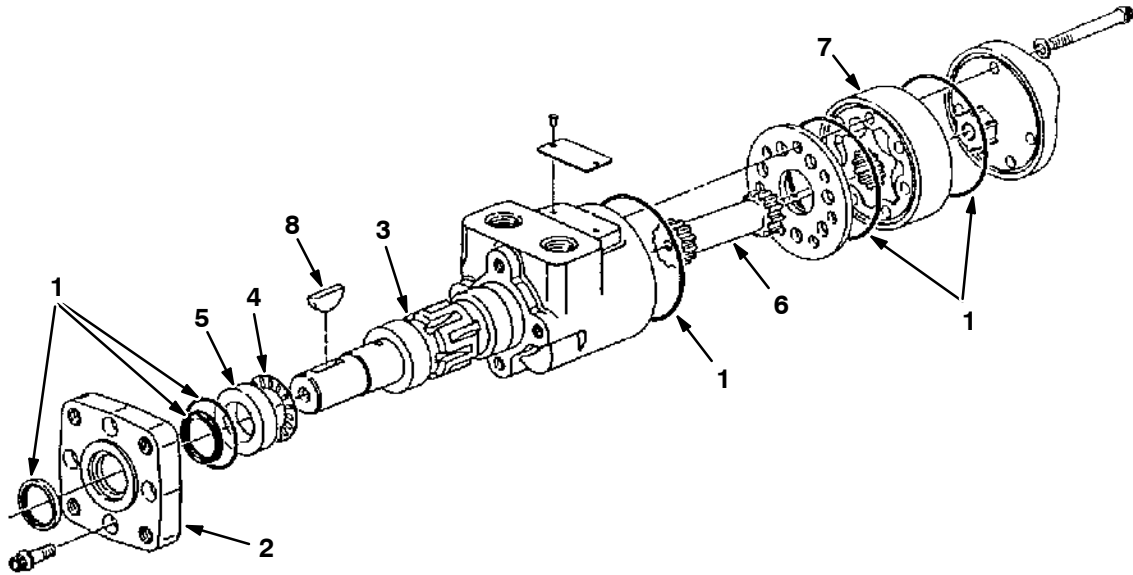


Fig. 6 – Hydraulic Motor Breakdown 13105

03938

Key	TENNANT® Part No.	Manufacturer Serial Number	Description	Qty.
	13105	(000000–)	Motor, Hydraulic	1
1	34174	(000000–)	Flange, Mounting	1
2	28835	(000000–)	Seal Kit	1
3	16694	(000000–)	Shaft, Output	1
4	34176	(000000–)	Drive	1
5	87663	(000000–)	Gerotor	1
6	16695	(000000–)	Race, Thrust	1
7	45628	(000000–)	Bearing, Thrust	1
8	00500–15	(000000–)	Key, Woodruff	1



05349

Fig. 7 – Hydraulic Motor Breakdown 28808

Key	Tennant® Part No.	Manufacturer Serial Number	Description	Qty
	28808	(000000–)	Motor, Hydraulic	1
1	28835	(000000–)	Seal Kit	1
2	31354	(000000–)	Flange, Mounting	1
	34175	(000000–)	Output Shaft Assembly	1
3	16694	(000000–)	Shaft, Output	1
4	45628	(000000–)	Bearing Thrust	1
5	16695	(000000–)	Race,Thrust	1
6	34176	(000000–)	Drive	1
7	31381	(000000–)	Gerotor Set	1
8	00500–15	(000000–)	Key, Woodruff	1

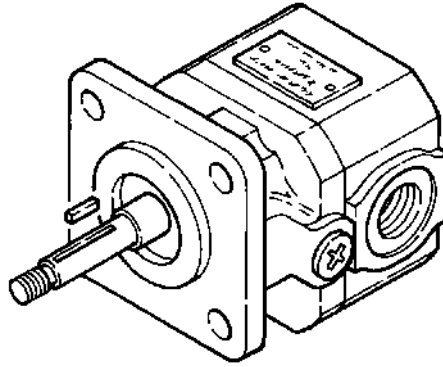


Fig. 8 – Hydraulic Motor Breakdown 77101

02613

Key	TENNANT® Part No.	Manufacturer Serial Number	Description	Qty.
	77101	(000000–)	Motor, Hydraulic	1
	SK2561	(000000–)	Seal Kit	1
	00966	(000000–)	Key	1

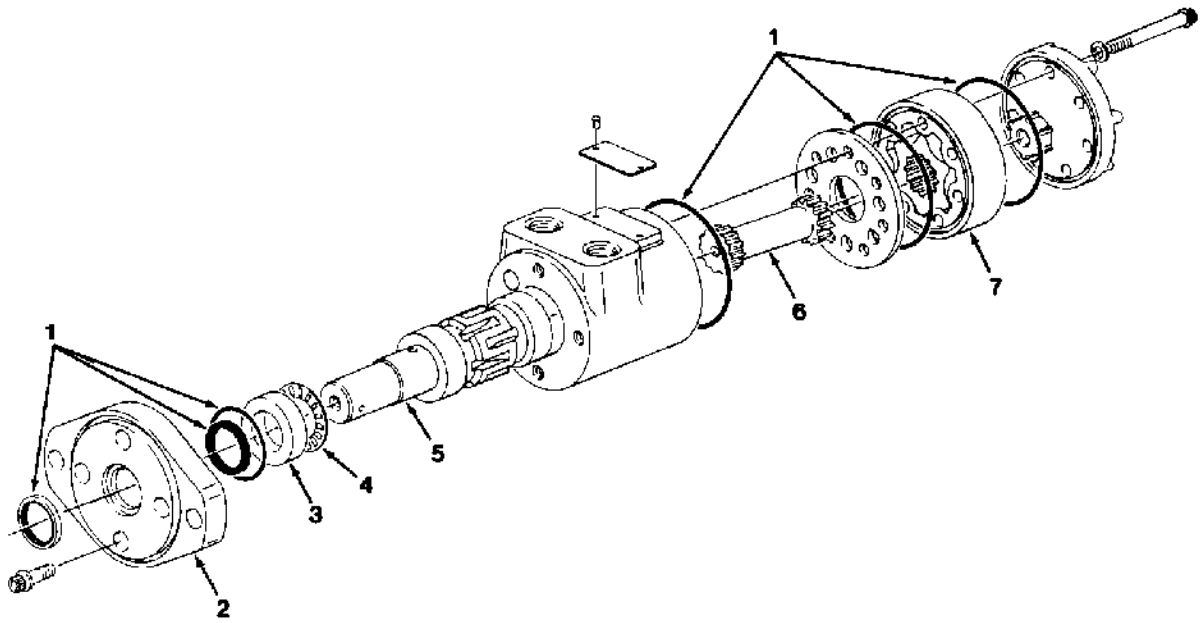


Fig. 9 – Hydraulic Motor Breakdown 27796

02799

Key	TENNANT® Part No.	Manufacturer Serial Number	Description	Qty.
	27796	(000000–)	Motor, Hydraulic	1
1	28835	(000000–)	Seal Kit	1
	38645	(000000–)	Flange, Mounting	1
2	16695	(000000–)	Race	1
3	57283	(000000–)	Bearing	1
4				
5	02630	(000000–)	Shaft	1
6	34176	(000000–)	Drive	1
7	34177	(000000–)	Gerotor Assembly	1

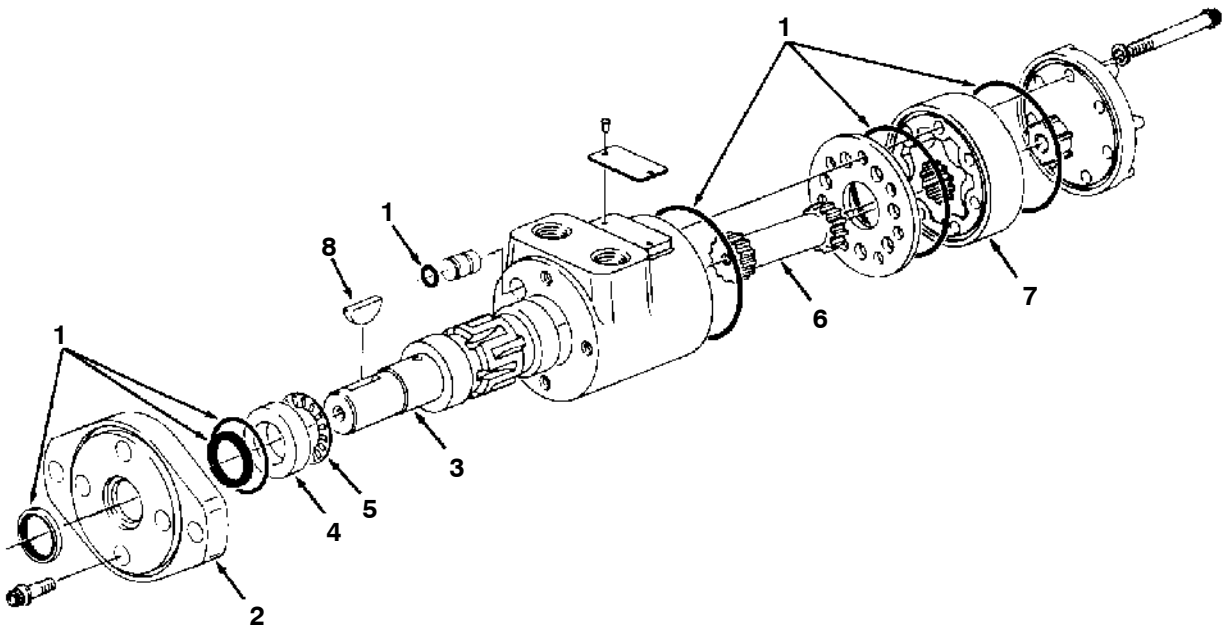


Fig. 10 – Hydraulic Motor Breakdown 27787

02800

Key	TENNANT® Part No.	Manufacturer Serial Number	Description	Qty.
	27787	(000000–)	Motor, Hydraulic	1
1	28835	(000000–)	Seal Kit	1
2	31354	(000000–)	Flange, Mounting	1
	31362	(000000–)	Output Shaft Assembly	1
3	31363	(000000–)	Shaft, Output	1
4	16695	(000000–)	Race, Thrust	1
5	45628	(000000–)	Bearing Thrust	1
6	34172	(000000–)	Drive	1
7	57542	(000000–)	Gerotor Set	1
8	00500–15	(000000–)	Key, Woodruff	1

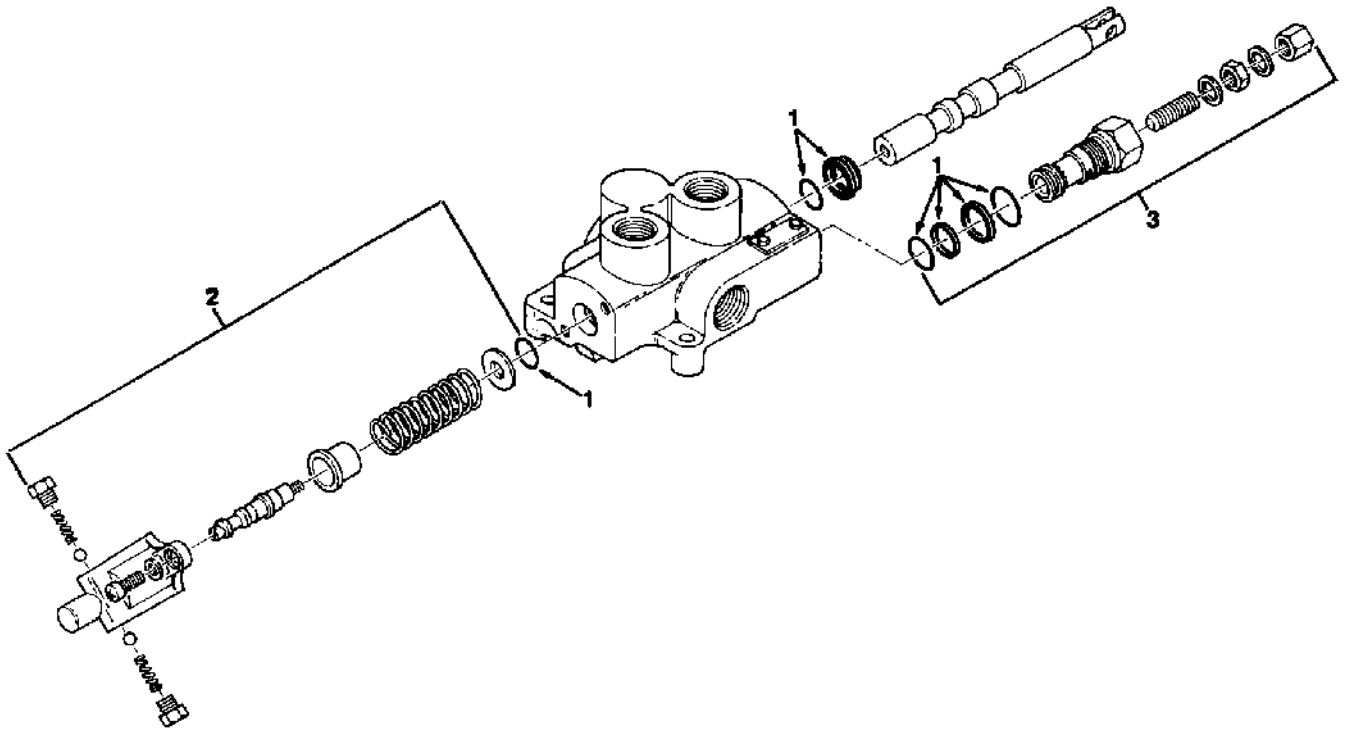


Fig. 11 – Hydraulic Valve Breakdown 62550

02581

Key	TENNANT® Part No.	Manufacturer Serial Number	Description	Qty.
	62550	(000000–)	Valve, Hydraulic	1
1	01666	(000000–)	Seal Kit	1
2	01669	(000000–)	Detent Kit	1
3	01817	(000000–)	Relief Assembly	1

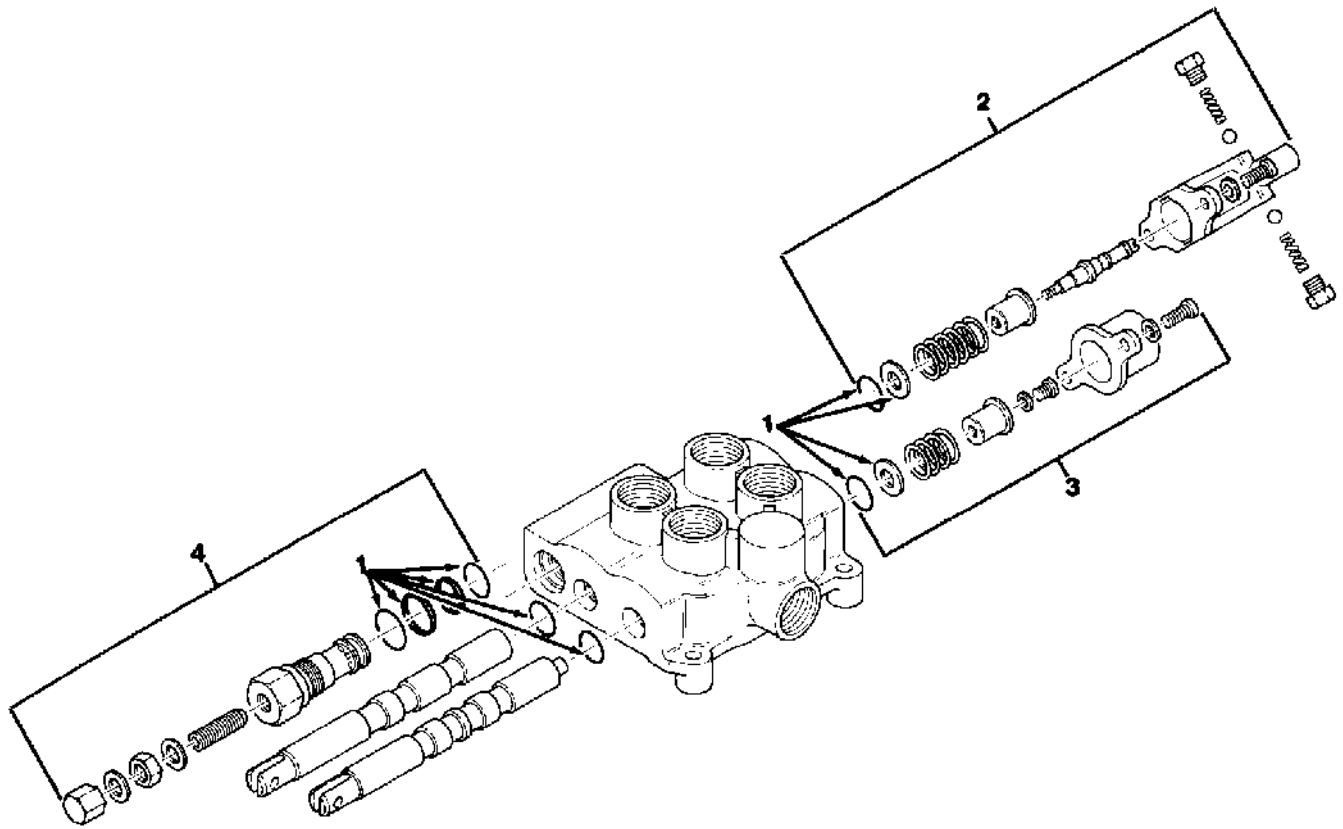


Fig. 12 – Hydraulic Valve Breakdown 34319

02563

Key	TENNANT® Part No.	Manufacturer Serial Number	Description	Qty.
	34319	(000000–)	Valve, Hydraulic	1
1	01666	(000000–)	Seal Kit	1
2	01669	(000000–)	Detent Kit	1
3	01673	(000000–)	Spring Kit, Centering	1
4	01818	(000000–)	Relief Assembly	1

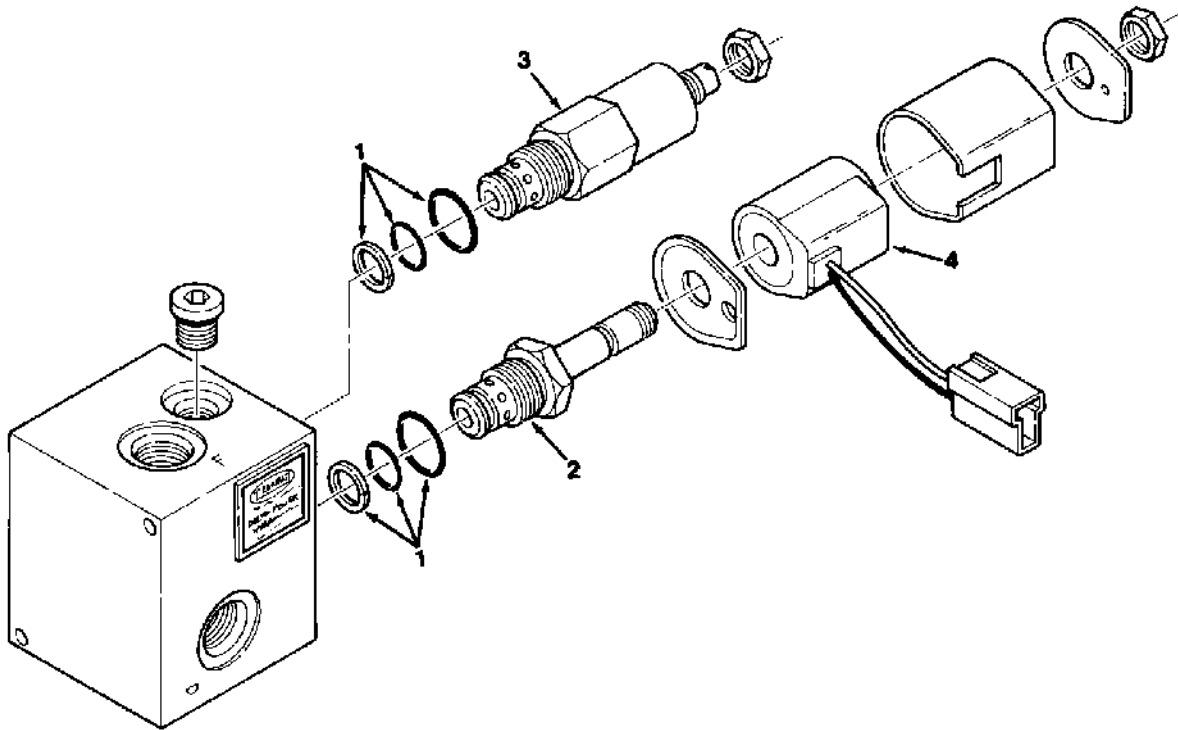
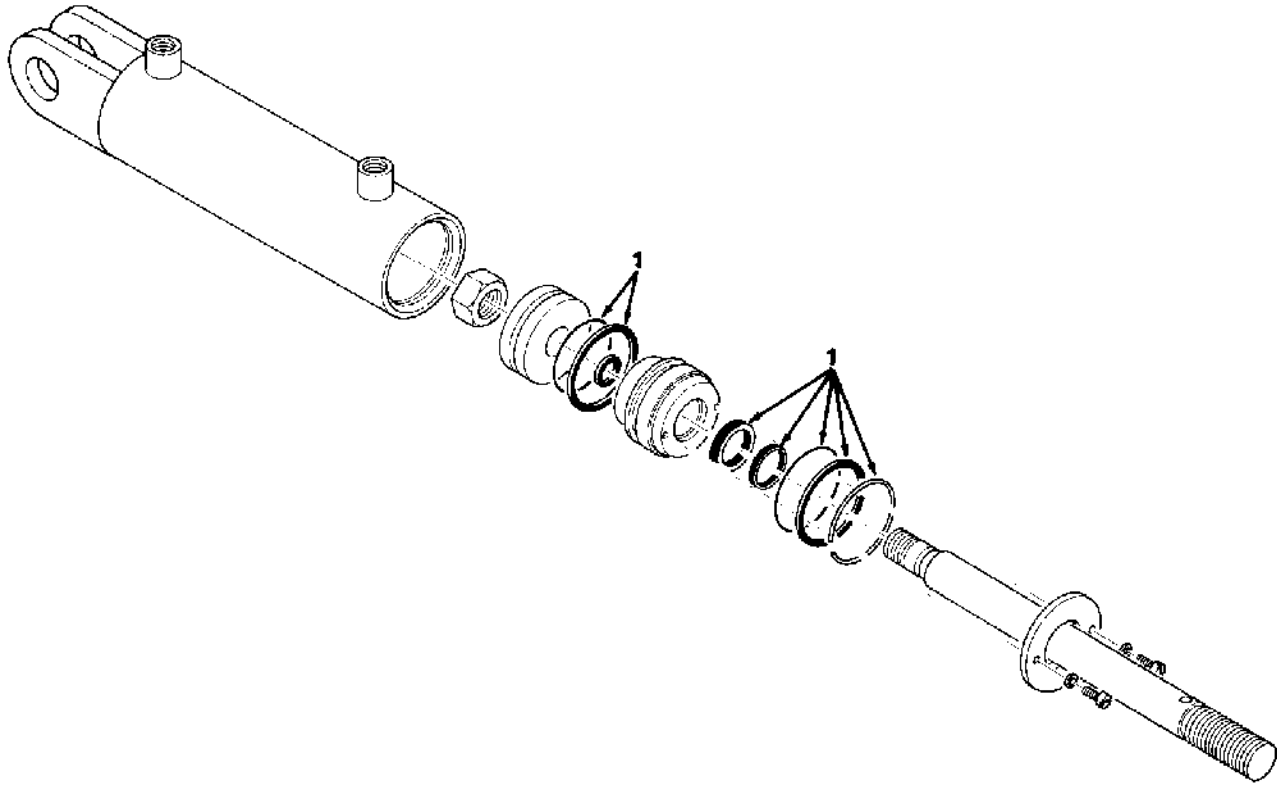


Fig. 13 – Hydraulic Solenoid Valve Breakdown 82754

02580

Key	TENNANT® Part No.	Manufacturer Serial Number	Description	Qty.
	82754	(000000–)	Valve, Solenoid	1
1	02606	(000000–)	Seal Kit	1
2	02607	(000000–)	Valve, Cartridge	1
3	02609	(000000–)	Valve, Relief	1
4	57186	(000000–)	Solenoid	1



02609

Fig. 14 – Hydraulic Cylinder Breakdown 04468

Key	TENNANT® Part No.	Manufacturer Serial Number	Description	Qty.
1	04468	(000000–)	Cylinder, Hydraulic	1
	04480	(000000–)	Seal Kit	1

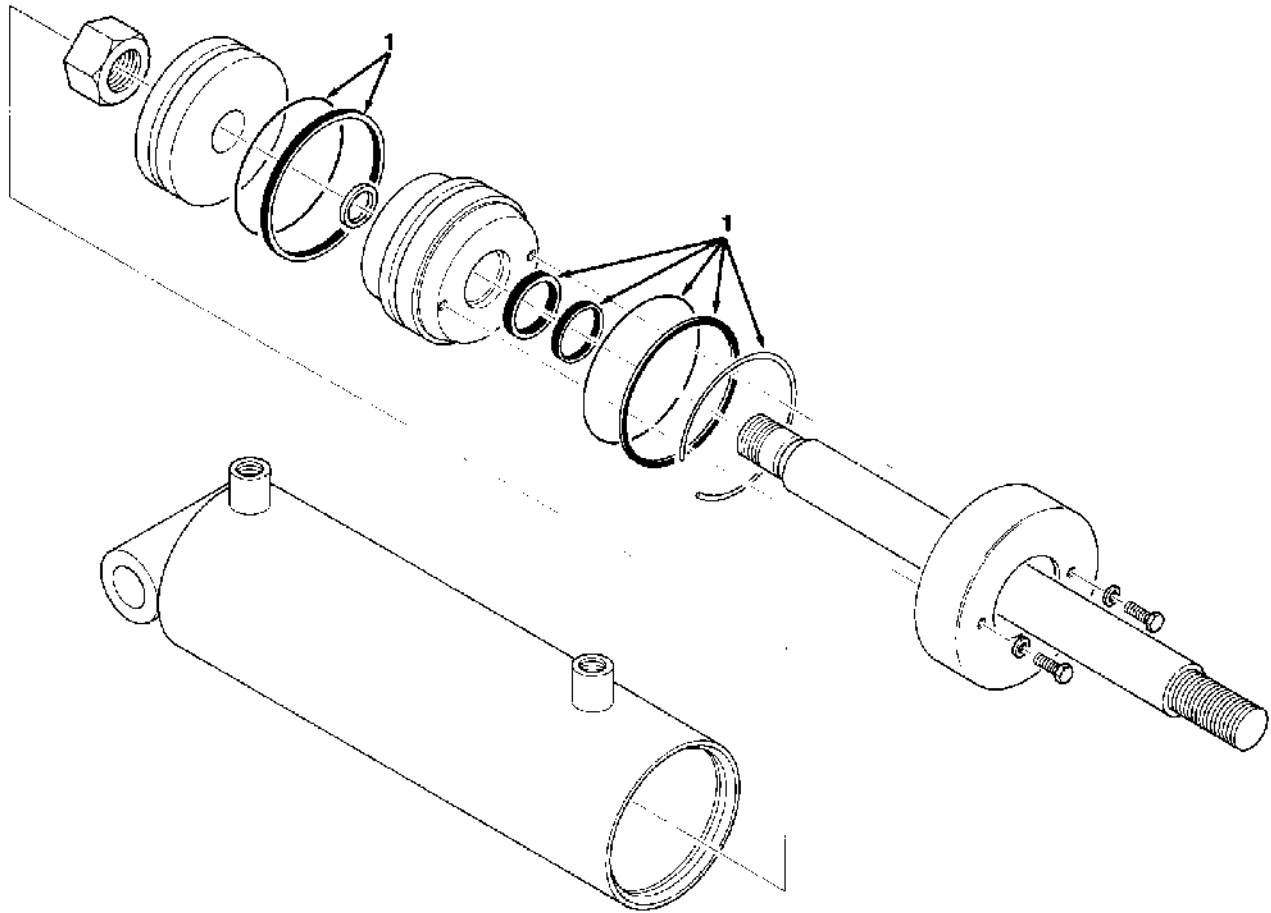
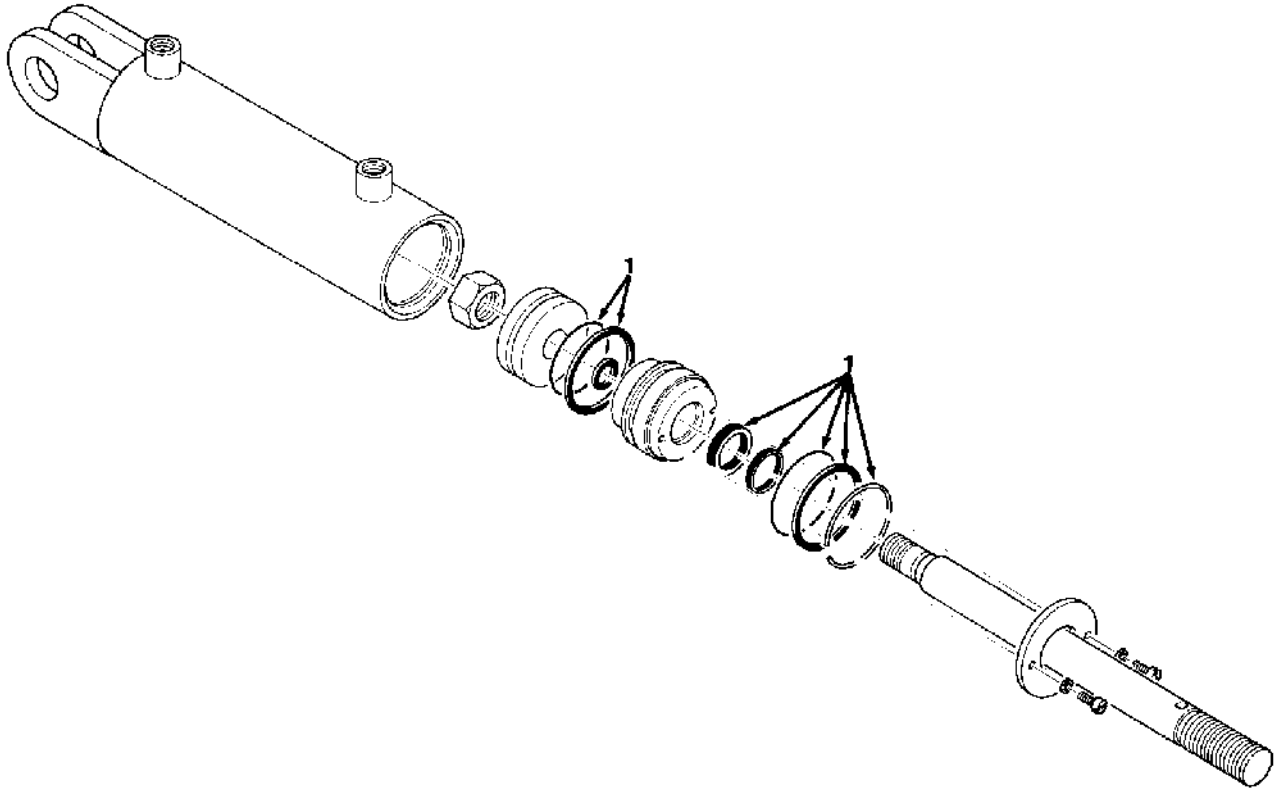


Fig. 15 – Hydraulic Cylinder Breakdown 82757

02608

Key	TENNANT® Part No.	Manufacturer Serial Number	Description	Qty.
1	82757	(000000–)	Cylinder, Hydraulic	1
	02621	(000000–)	Seal Kit	1



02607

Fig. 16 – Hydraulic Cylinder Breakdown 04471

Key	TENNANT® Part No.	Manufacturer Serial Number	Description	Qty.
1	04471	(000000 –)	Cylinder, Hydraulic	1
	04477	(000000 –)	Seal Kit	1

SECTION 10

CONTENTS

	Page
ORDERING REPAIR PARTS	10-3
Fig. 1 – Cylinder Head Group	10-4
Fig. 2 – Cylinder Block Group	10-6
Fig. 3 – Camshaft Group	10-8
Fig. 4 – Crankshaft and Piston Group	10-10
Fig. 5 – Oil Pump and Oil Pan Group	10-12
Fig. 6 – Intake and Exhaust Manifold Group	10-14
Fig. 7 – Front Cover Group	10-15
Fig. 8 – Water Pump Group	10-16
Fig. 9 – Distributor Group	10-18
Fig. 10 – Gaskets Group	10-20
Fig. 11 – Flywheel Group	10-22

NOTE: SECTION 12, ENGINE PARTS, GASOLINE, LPG, lists repair parts for gasoline and LPG powered engines, TENNANT part number 07491, on machines with serial numbers up through 010749.

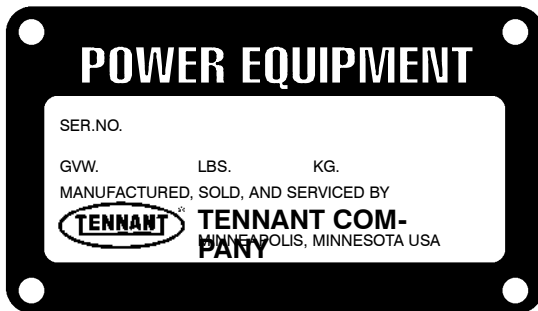
ORDERING REPAIR PARTS

The components used in this machine have been carefully selected for performance and safety. Use only Tennant Company specified or equivalent parts.

To receive prompt service in filling of your parts orders, please direct all orders for parts with Tennant Company part numbers to the Tennant Company, and all orders for parts with vendor part numbers to the local supplier of the respective vendor.

When ordering parts, please furnish all of the following information:

1. Machine model number - shown on the machine data plate.



2. Machine serial number - shown on the machine data plate.
3. Power source - gasoline, LPG, diesel, electric.
4. Company name.
5. Shipping address.
6. Billing address.
7. Name, first and last - of person ordering parts.
8. Telephone number.
9. Purchase order number.
10. Part number, description, and quantity - of each item on the order.

Do not order parts by key number or the figure number of the illustrated parts. Indented items indicate parts of assemblies. Standard hardware is furnished only when part of a purchased assembly. Please get hardware from a local hardware supplier.

If the old part cannot be identified, send it to us with the quantity needed specified on the order.

Any claim for loss or damage to a shipment in transit should be filed promptly against the transportation company making the delivery. Shipments will be complete unless the packing list or order acknowledgement indicate items back ordered.

If parts received are suspected to be incorrect or defective, please write, wire, or phone the Tennant Company representative from whom you ordered the part. They will give authorization for return and/or handle replacement shipments when required.

SERIAL NUMBER INFORMATION EXPLANATION

Serial number listings are shown to indicate on which machines each part can be used. These listings are explained by the following examples:

(000000—) The part can be used on all machines.

(003342—) The part can be used on all machines beginning with the serial number listed.

(000000—004320) The part can be used on all machines up to and including serial number listed.

(004321—005678) The part can be used on all machines between and including the serial numbers listed.

Where xxxxxx's are listed in place of a serial number, it indicates a change was made but the exact serial number had not been established when the catalog went to press.

SI UNITS OF MEASURE (INTERNATIONAL SYSTEM)

Metric equivalents have been included, where applicable, throughout this parts catalog.

FASTENER STRENGTH IDENTIFICATION

Fasteners required to have high—strength qualities equivalent to SAE Grade 8 are identified throughout this catalog by the description GR 8. Unless identified by this description, all standard fasteners are SAE Grade 5.

(Specifications and design subject to change without notice.)

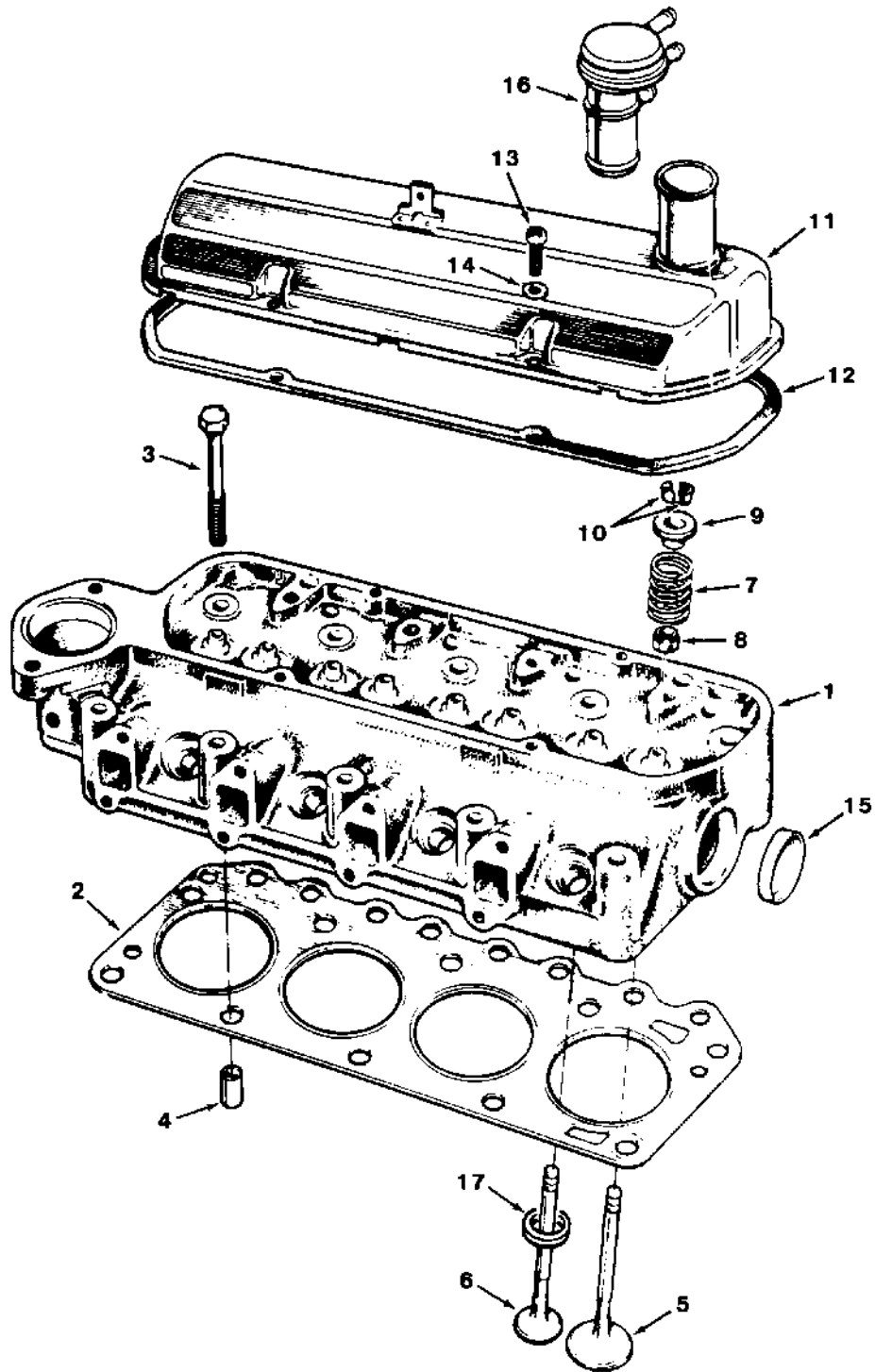


Fig. 1 - Cylinder Head Group

Fig. 1 – Cylinder Head Group

Key	TENNANT® Part No.	Ford Part Number	Engine Serial Number	Description	Qty.
1		86BM-6049-CC	(000000-)	Head Assembly, Cylinder	1
2	07704	86BM-6051-B1A	(000000-)	Gasket, Cylinder Head	1
3		77BM-6065-AA	(000000-)	Bolt, Cylinder Head	10
4		E840126-S	(000000-)	Dowel, Cylinder Head to Block	2
5		80BM-6507-DC	(000000-)	Valve, Intake, Std.	4
		80BM-6507-FC	(000000-)	Valve, Intake, 0.015" (0.38 mm) O/S	As Req.
6		77BM-6505-DB	(000000-)	Valve, Exhaust, Std.	4
7		86BM-6513-AA	(000000-)	Spring, Valve	8
8		D1FZ-6571-B	(000000-)	Seal, Valve Stem Oil, Intake	4
		77BM-6571-AB	(000000-)	Seal, Valve Stem Oil, Exhaust	4
9		D1FZ-6514-B	(000000-)	Retainer, Valve Spring	8
10	37695	D1FZ-6518-B	(000000-)	Lock, Valve Spring Retainer	16
11	10792	84BM-6582-CA	(000000-)	Cover, Rocker Arm	1
12	07705	77BM-6584-CA	(000000-)	Gasket, Rocker Arm Cover	1
13		E603166-S72	(000000-)	Screw, M6 x 16 Rocker Cover to Head	4
14		118297-ES8	(000000-)	Washer, Flat, 6 mm, Rocker Cover Bolt	4
15		D8RZ-6026-B	(000000-)	Plug	1
16	10795	84BF-6K614-CA	(000000-)	Cap, Oil Fill	1
17		86BM-6057-CA	(000000-)	Insert, Valve Seat	4

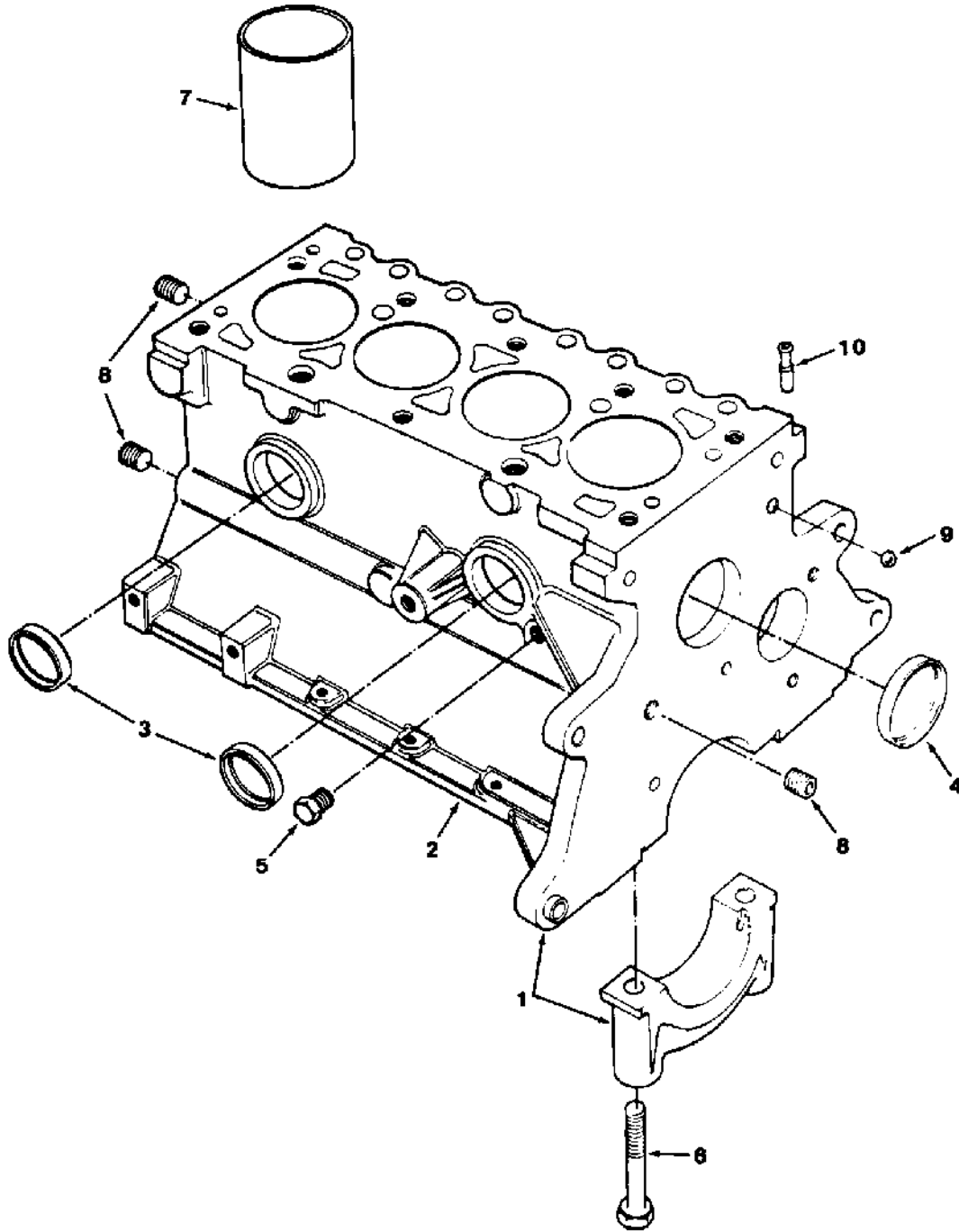


Fig. 2 – Cylinder Block Group

Fig. 2 – Cylinder Block Group

Key	TENNANT® Part No.	Ford Part Number	Engine Serial Number	Description	Qty.
1		86BM-6011-AA	(000000-)	Block, Cylinder with Crank, Pistons, Rings, etc.	1
2		86BM-6010-CA	(000000-)	Block, Cylinder	1
3		D8RZ-6026-B	(000000-)	Plug	2
4		D8RZ-6026-A	(000000-)	Plug	1
5		353055-S7	(000000-)	Plug, Water Drain	1
6		D1FZ-6345-A	(000000-)	Bolt, Main Bearing Cap	10
7		77BM-6055-AA	(000000-)	Liner, Cylinder	4
8		87837-S	(000000-)	Plug, Oil Gallery	3
9		E890100-S	(000000-)	Plug, Ball, Oil Gallery	1
10		D8RZ-6767-A	(000000-)	Adapter	1

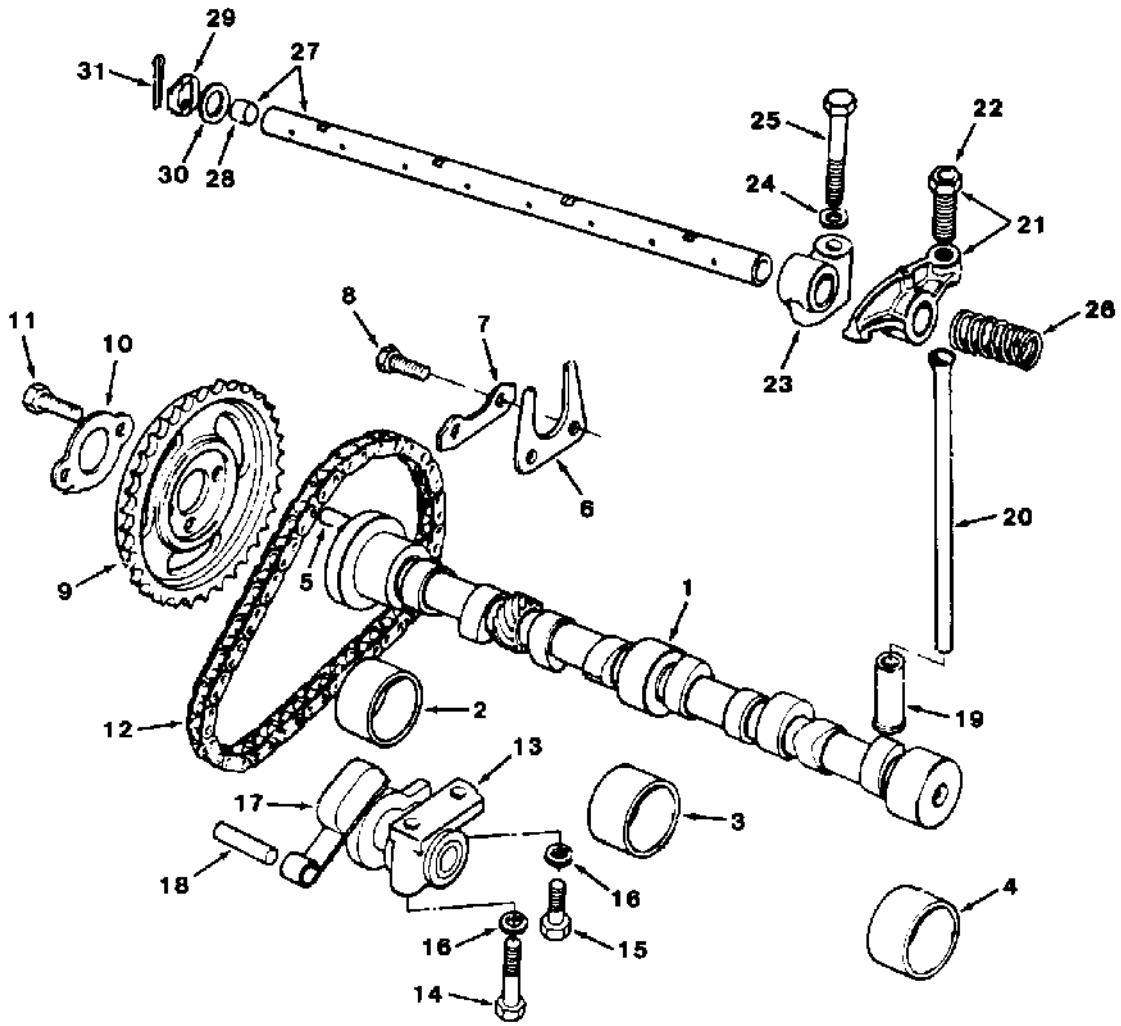


Fig. 3 - Camshaft Group

Fig. 3 – Camshaft Group

Key	TENNANT® Part No.	Ford Part Number	Engine Serial Number	Description	Qty.
1		86BM-6250-BA	(000000-)	Camshaft	1
2	37316	D0RY-6261-A	(000000-)	Bearing, Camshaft Front, Std. ID – Std. O.D.	1
2	37317	D0RY-6261-B	(000000-)	Bearing, Camshaft Front, Std. ID + 0.020" O.D.	As Req.
3	37306	D0RY-6262-A	(000000-)	Bearing, Camshaft Center, Std. ID – Std. O.D.	1
3	38242	D0RY-6262-B	(000000-)	Bearing, Camshaft Center, Std. ID + 0.020" O.D.	As Req.
4	37306	D0RY-6262-A	(000000-)	Bearing, Camshaft Rear, Std. ID – Std. O.D.	1
4	38242	D0RY-6262-B	(000000-)	Bearing, Camshaft Rear, Std. ID + 0.020" O.D.	As Req.
5		D0RY-6253-A	(000000-)	Dowel, Cam Sprocket to Camshaft	1
6		D0RY-6269-A	(000000-)	Plate, Camshaft Thrust	1
7		D0RY-6255-A	(000000-)	Retainer, Camshaft Thrust Plate	1
8		E602166-S72	(000000-)	Bolt, M6 x 16, Thrust Plate to Block	2
9		77BM-6256-AA	(000000-)	Sprocket, Camshaft	1
10		D0RY-6258-A	(000000-)	Retainer, Camshaft Sprocket	1
11		E602351-S72	(000000-)	Bolt, M8 x 16, Sprocket to Camshaft	2
12	37307	D0RY-6268-A	(000000-)	Chain, Timing	1
13	37337	D1FZ-6284-A	(000000-)	Tensioner, Timing Chain	1
14		E600116-S72	(000000-)	Bolt, M6 x 55, Tensioner to Block	1
15		E602166-S72	(000000-)	Bolt, M6 x 16 – Tensioner to Block	1
16		34805-S8	(000000-)	Washer, Lock, B6, Tensioner Bolts	2
17		77BM-6K255-AB	(000000-)	Arm, Tensioner	1
18	37694	D1FZ-6286-A	(000000-)	Pin, Tensioner Arm	1
19		D1FZ-6500-A	(000000-)	Tappet Assembly, Std.	8
19		711F-6500-DA	(000000-)	Tappet Assembly, 0.004" O/S	As Req.
20		86BM-6565-AC	(000000-)	Rod, Valve Push	8
21		77BM-6529-AB	(000000-)	Arm, Valve Rocker, Right, with Screw	4
		77BM-6K528-AB	(000000-)	Arm, Valve Rocker, Left, with Screw	4
22	37693	D0RY-6549-B	(000000-)	Screw, Adjusting, Self-Locking	8
23		77BM-6531-BB	(000000-)	Support, Rocker Arm Shaft	4
24		E630031-S101	(000000-)	Washer, B10 x 20 x 2.5	4
25		E600314-S72	(000000-)	Bolt, Rocker Support, M10 x 45	4
26		D0RY-6587-A	(000000-)	Spring, Locating	3
27		77BM-6A557-BB	(000000-)	Shaft Assembly, Rocker Arm	1
28		D1FZ-6026-E	(000000-)	Plug, Rocker Arm Shaft	2
29		77BM-6598-AB	(000000-)	Washer, Spring	2
30		116106-ES10	(000000-)	Washer, Flat	2
31		72025-S7	(000000-)	Pin, Cotter	2

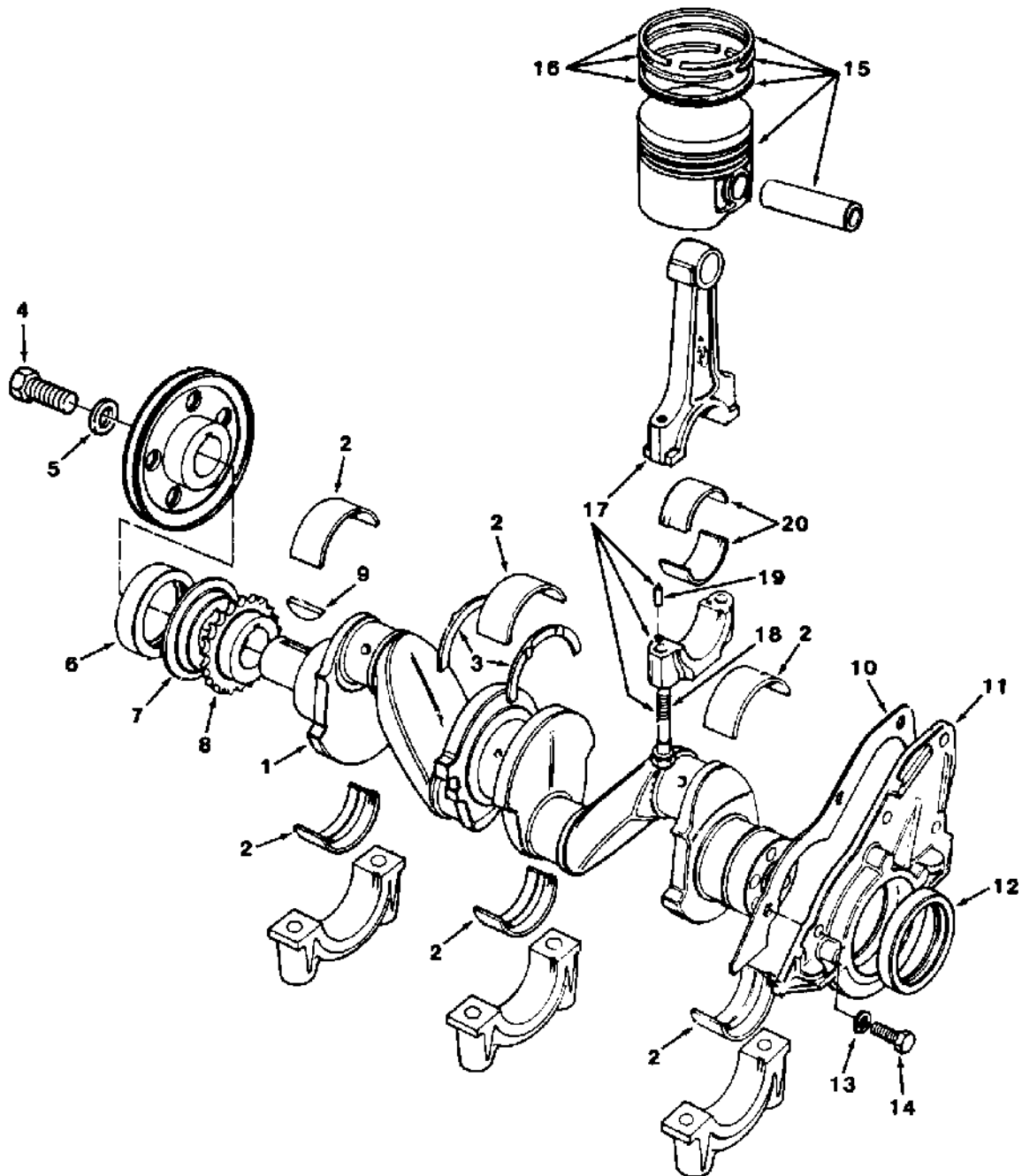


Fig. 4 – Crankshaft and Piston Group

Fig. 4 – Crankshaft and Piston Group

Key	TENNANT® Part No.	Ford Part Number	Engine Serial Number	Description	Qty.
1		86BM-6303-AA	(000000-)	Crankshaft Assembly	1
2		77BM-6333-BAA	(000000-)	Main Bearing, Crankshaft, Std. O/D Std. ID	6
2		77BM-6333-BJA	(000000-)	Main Bearing, Crankshaft, Std. O/D 0.005" U/S ID	As Req.
2		77BM-6333-BBA	(000000-)	Main Bearing, Crankshaft, Std. O/D 0.010" U/S ID	As Req.
2		77BM-6333-BDA	(000000-)	Main Bearing, Crankshaft, Std. O/D 0.020" U/S ID	As Req.
2		77BM-6333-BEA	(000000-)	Main Bearing, Crankshaft, Std. O/D 0.030" U/S ID	As Req.
2		77BM-6333-BCA	(000000-)	Main Bearing, Crankshaft, 0.15" O/S O/D Std. ID	As Req.
2		77BM-6333-BFA	(000000-)	Main Bearing, Crankshaft, 0.015" O/S O/D 0.010" U/S ID	As Req.
2		77BM-6333-BGA	(000000-)	Main Bearing, Crankshaft, 0.015" O/S O/D 0.020" U/S ID	As Req.
2		77BM-6333-BHA	(000000-)	Main Bearing, Crankshaft, 0.015" U/S O/D 0.030" U/S ID	As Req.
3		77BM-6A341-AA	(000000-)	Washer, Main Bearing Thrust Std.	2
		77BM-6A341-BA	(000000-)	Washer, Main Bearing Thrust 0.015" O/S	As Req.
4	07706	E800334-S76	(000000-)	Bolt, Pulley to Crankshaft, M12 x 35	1
5	07707	E830135-S76	(000000-)	Washer, Pulley to Crankshaft, B12	1
6		83BM-6700-A4A	(000000-)	Seal, Timing Cover	1
7		D8RZ-6310-A	(000000-)	Slinger, Oil	1
8	37321	D0RY-6306-A	(000000-)	Sprocket, Crankshaft	1
9	37312	D0RY-6B316-A	(000000-)	Key, Woodruff	1
10		86BM-6344-AA	(000000-)	Gasket, Rear Oil Seal Retainer	1
11		86BM-6K318-AA	(000000-)	Retainer Assembly, Rear	1
12		83AM-6701-A1A	(000000-)	Seal, Rear	1
13		E630173-S71M	(000000-)	Washer, Lock, B8	4
14		E602187-S82	(000000-)	Bolt, M8 x 20	4
15		86BM-6102-AC	(000000-)	Piston, Pin And Ring Assembly, Std.	4
15		86BM-6102-BC	(000000-)	Piston, Pin And Ring Assembly 0.020" O/S	As Req.
15		86BM-6102-CC	(000000-)	Piston, Pin And Ring Assembly 0.040" O/S	As Req.
16		84BM-6148-DA	(000000-)	Ring Set, Piston, Std.	4
16		84BM-6148-EA	(000000-)	Ring Set, Piston, 0.020" O/S	As Req.
16		84BM-6148-FA	(000000-)	Ring Set, Piston, 0.040" O/S	As Req.
17		86BM-6200-AA	(000000-)	Rod Assembly, Connecting	4
18		77BM-6214-AA	(000000-)	Bolt, Connecting Rod	8
19		116336-ES100	(000000-)	Dowel Pin, Connecting Rod	8
20		81SM-6211-AA	(000000-)	Bearing, Connecting Rod, Std.	8
20		81SM-6211-FA	(000000-)	Bearing, Connecting Rod, 0.001" U/S	As Req.
20		81SM-6211-BA	(000000-)	Bearing, Connecting Rod, 0.010" U/S	As Req.
20		81SM-6211-CA	(000000-)	Bearing, Connecting Rod, 0.020" U/S	As Req.
20		81SM-6211-DA	(000000-)	Bearing, Connecting Rod, 0.030" U/S	As Req.
20		81SM-6211-EA	(000000-)	Bearing, Connecting Rod, 0.040" U/S	As Req.

NOTE: To identify parts shown but not listed here, see Section 5, Low Dump Model Parts.

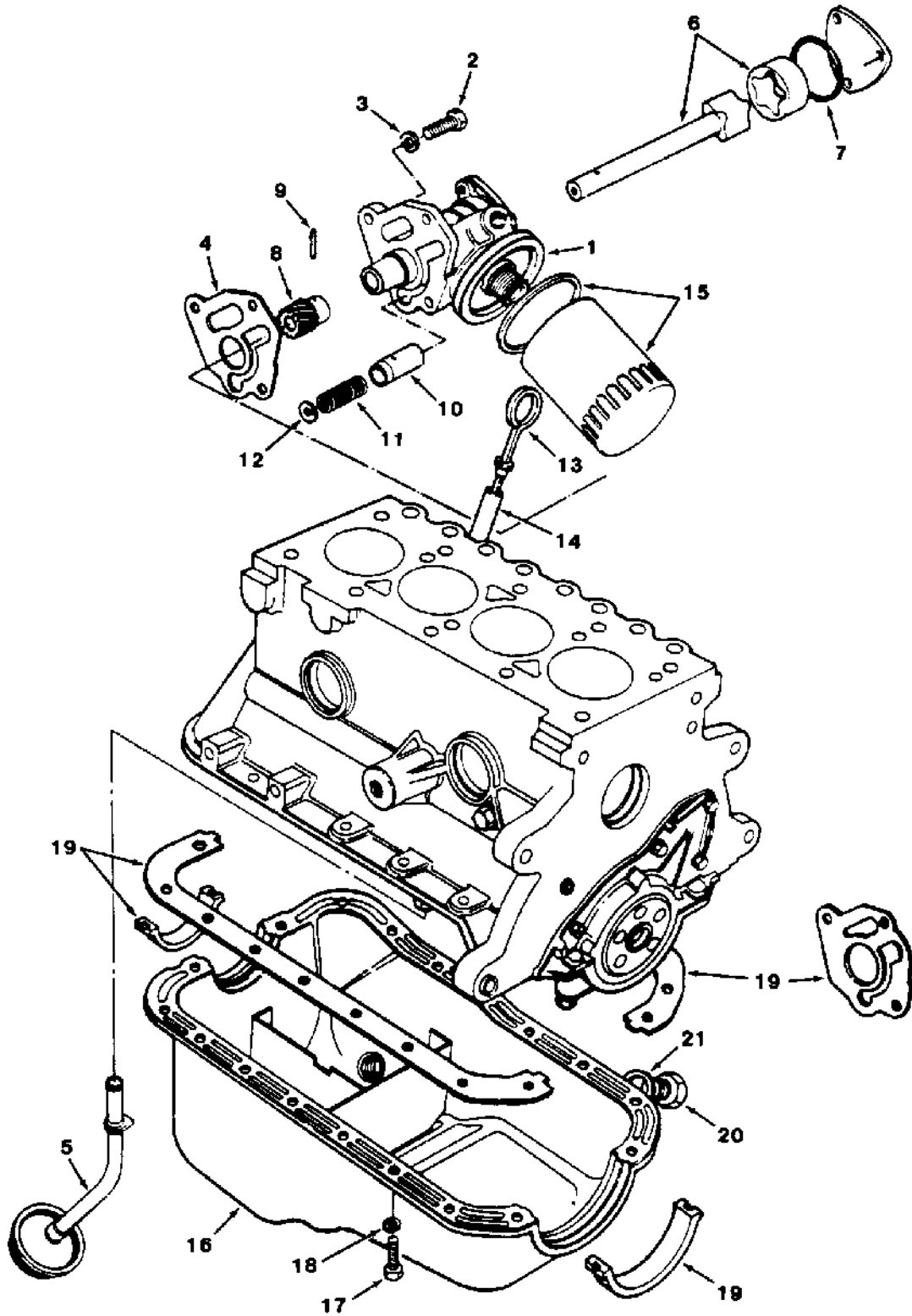


Fig. 5 – Oil Pump and Oil Pan Group

Fig. 5 – Oil Pump and Oil Pan Group

Key	TENNANT® Part No.	Ford Part Number	Engine Serial Number	Description	Qty.
1	07710	D8RZ-6600-A	(000000-)	Pump, Oil	1
2		E602188-S72	(000000-)	Bolt, M8 x 25	3
3		E630173-S71M	(000000-)	Washer, B8 Lock	3
4	37341	D1FZ-6659-A	(000000-)	Gasket, Oil Pump to Block	1
5		77BM-6617-AD	(000000-)	Tube Assembly, Oil Pickup	1
6		D1FZ-6608-B	(000000-)	Rotor And Shaft	1
7	37403	116682-ES	(000000-)	Seal, Cover Plate	1
8		D0RY-6652-A	(000000-)	Gear, Oil Pump Drive	1
9		72432-S	(000000-)	Pin, Drive Gear	1
10		D0RY-6674-A	(000000-)	Plunger, Oil Pump Relief Valve	1
11		D0RY-6670-A	(000000-)	Spring, Oil Pump Relief Valve	1
12		D0RY-6666-A	(000000-)	Plug, Oil Pump Relief Valve	1
13	10790	D8RZ-6750-A	(000000-)	Indicator, Oil Level	1
14	10791	77BM-6784-AC	(000000-)	Tube, Oil Level Indicator	1
15	58122	FL-271	(000000-)	Oil Filter	1
16		86BM-6675-AA	(000000-)	Oil Pan	1
17		E602165-S72	(000000-)	Bolt, Oil Pan, M6 x 14	18
18		34805-S8	(000000-)	Washer, 0.25" Lock	18
19		A85OX-6013-AA	(000000-)	Gasket Kit, Oil Pan	1
20		E0FZ-6730-B	(000000-)	Plug, Oil Drain	1
21		E0FZ-6734-A	(000000-)	Gasket, Oil Drain Plug	1

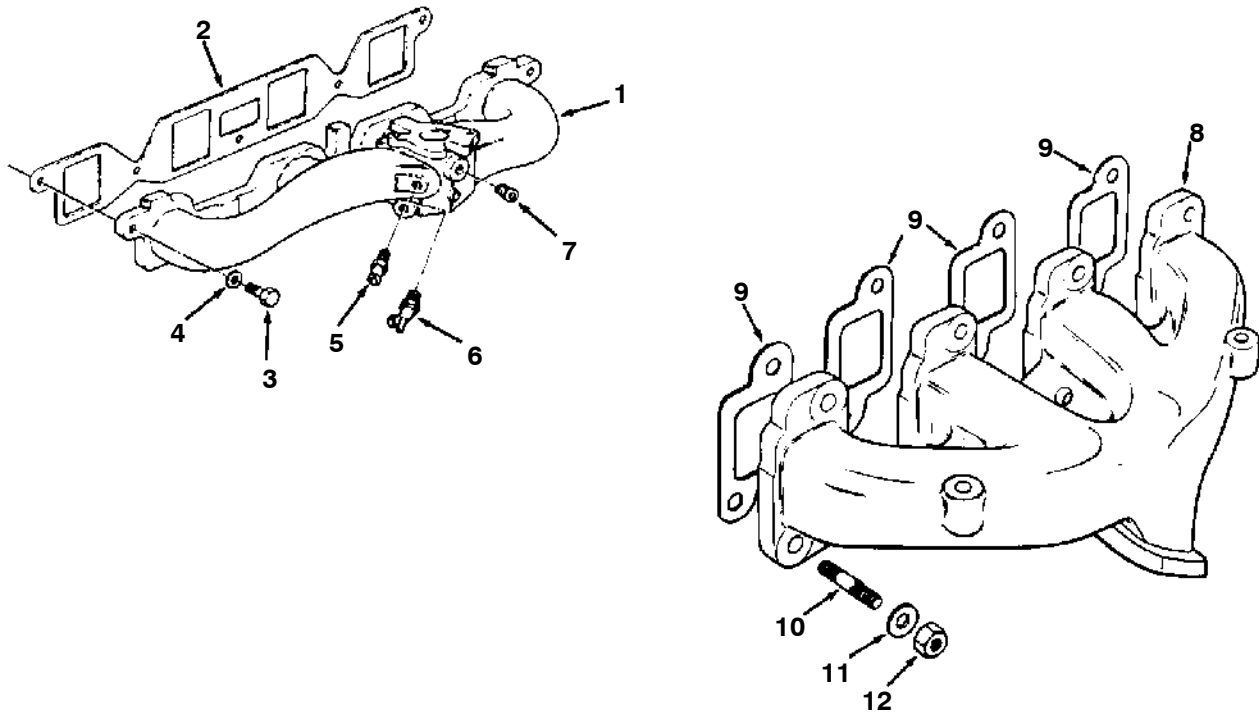


Fig. 6 – Intake and Exhaust Manifold Group

03930

Key	TENNANT® Part No.	Ford Part Number	Engine Serial Number	Description	Qty.
1		86BF-9425-FB	(000000-)	Manifold, Intake	1
2	07714	77BM-9441-DA	(000000-)	Gasket, Intake Manifold	1
3		E602188-S72	(000000-)	Bolt, Intake Manifold to Cylinder Head	5
4		E630173-S71	(000000-)	Washer, Lock, Intake Manifold to Cylinder Head	5
5		377665-S7-8	(000000-)	Adapter, 0.38" - 18	1
6		72EG-2A411-BA	(000000-)	Connector, 0.25" - 18	1
7		87837-S	(000000-)	Plug, 0.25" - 18	As Req.
8		84BF-9430-BA	(000000-)	Manifold, Exhaust	1
9	07708	77BM-9448-EA	(000000-)	Gasket, Exhaust Manifold	4
10		E804627-S76	(000000-)	Stud, Exhaust Manifold to Cylinder Head	8
11	38034	120907-ES8	(000000-)	Washer, Manifold to Cylinder Head	8
12		E620433-S72	(000000-)	Nut, Manifold to Cylinder Head	8

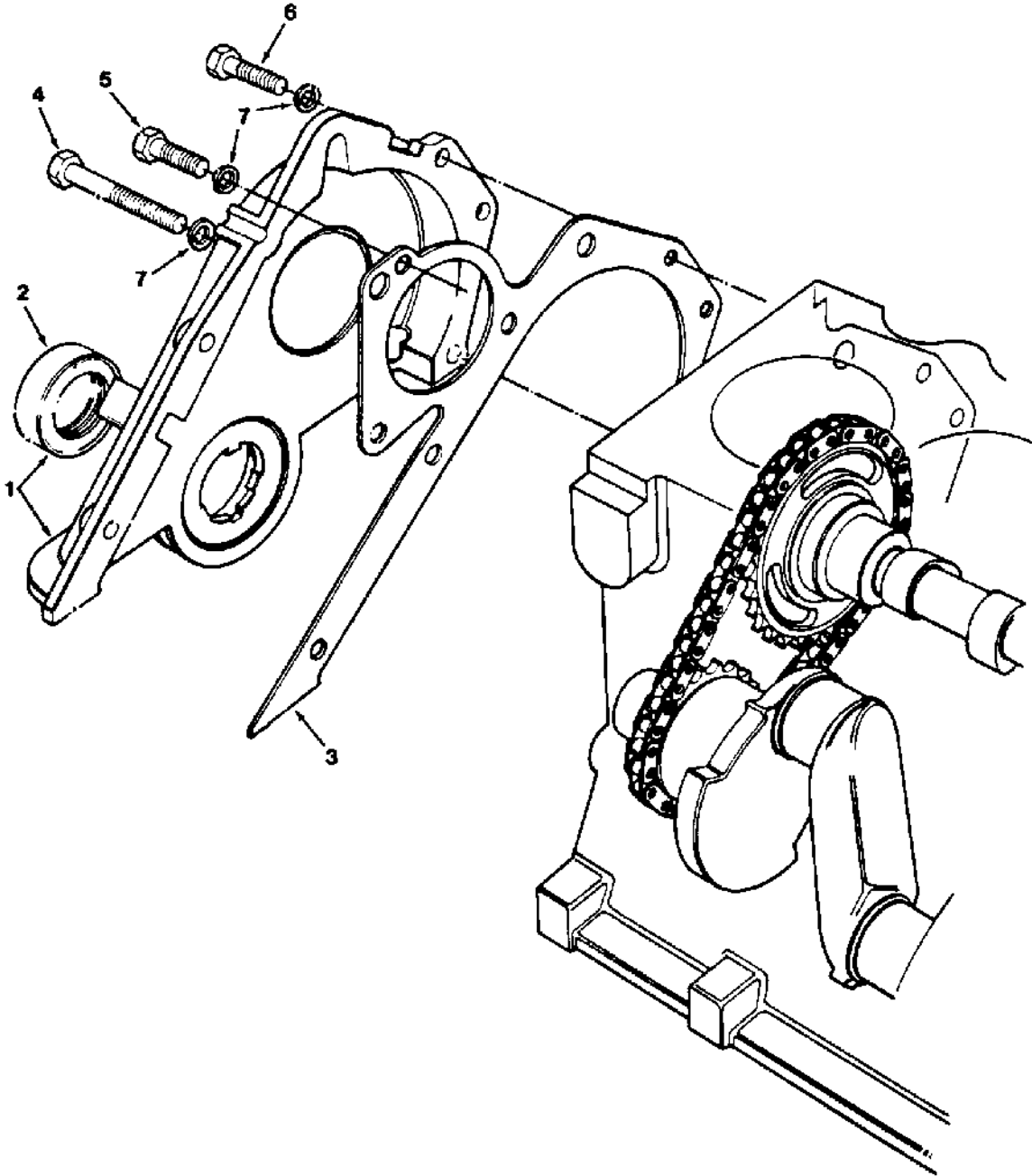


Fig. 7 – Front Cover Group

03931

Key	TENNANT® Part No.	Ford Part Number	Engine Serial Number	Description	Qty.
1		77BM-6059-AE	(000000-)	Cover and Seal Assembly, Cylinder Front	1
2		83BM-6700-A4A	(000000-)	Seal, Front Cover	1
3		D8RZ-6020-A	(000000-)	Gasket, Cylinder Front Cover	1
4		E600115-S72	(000000-)	Bolt, M6 x 50, Front Cover to Block	1
5		E600113-S72	(000000-)	Bolt, M6 x 40, Front Cover and Water Pump to Block	3
6		E602167-S71	(000000-)	Bolt, M6 x 20, Front Cover to Block	4
7		E630152-S71	(000000-)	Washer, Lock, B6	8

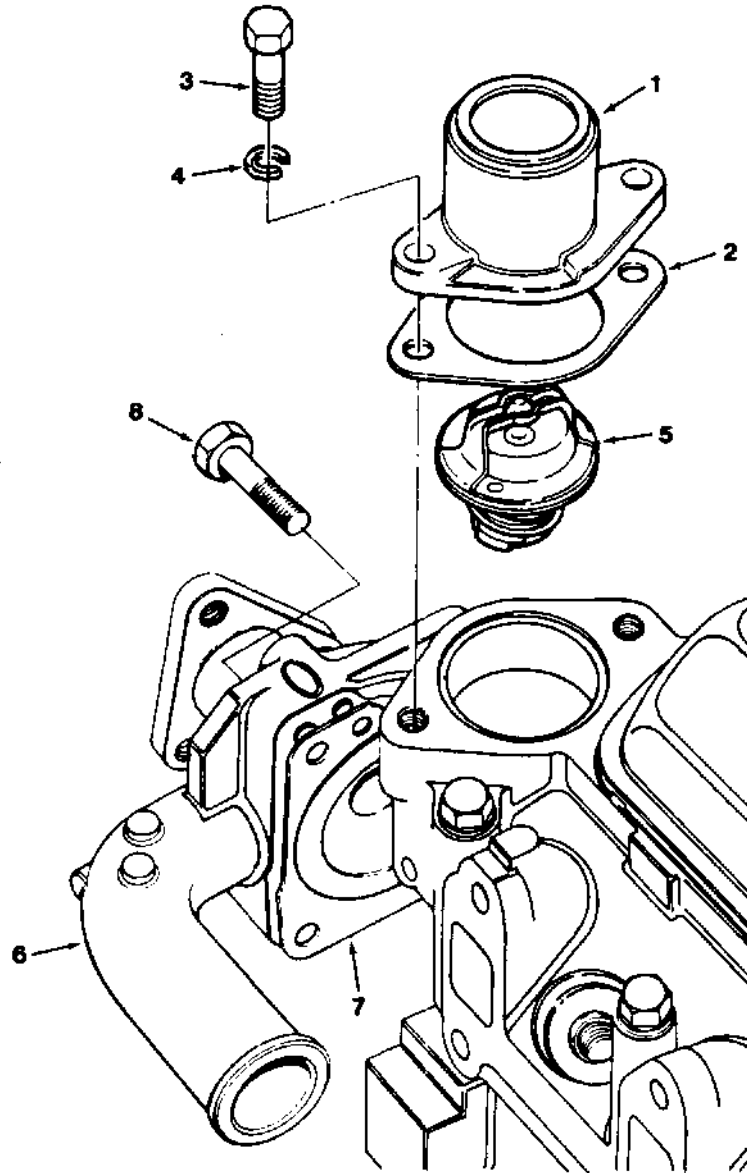


Fig. 8 - Water Pump Group

Fig. 8 – Water Pump Group

Key	TENNANT® Part No.	Ford Part Number	Engine Serial Number	Description	Qty.
1	57548	771F-8250-BA	(000000-)	Connection, Water Outlet	1
2	54911-25	D1FZ-8255-B	(000000-)	Gasket, Water Outlet Connection	1
3		E602187-S82	(000000-)	Bolt, Water Outlet Connection to Cylinder Head, M8 x 20	2
4		E630173-S71M	(000000-)	Washer, Lock, Water Outlet Connection Bolt, B8	2
5	10403	C5TE-8575-B	(000000-)	Thermostat, 160°	1
5	37327	RT-351	(000000-)	Thermostat, 180°	1
6	07712	D8RZ-8501-A	(000000-)	Water Pump	1
7	07713	D8RZ-8507-A	(000000-)	Gasket, Water Pump	1
8		E600113-S72	(000000-)	Bolt, Water Pump to Block	3

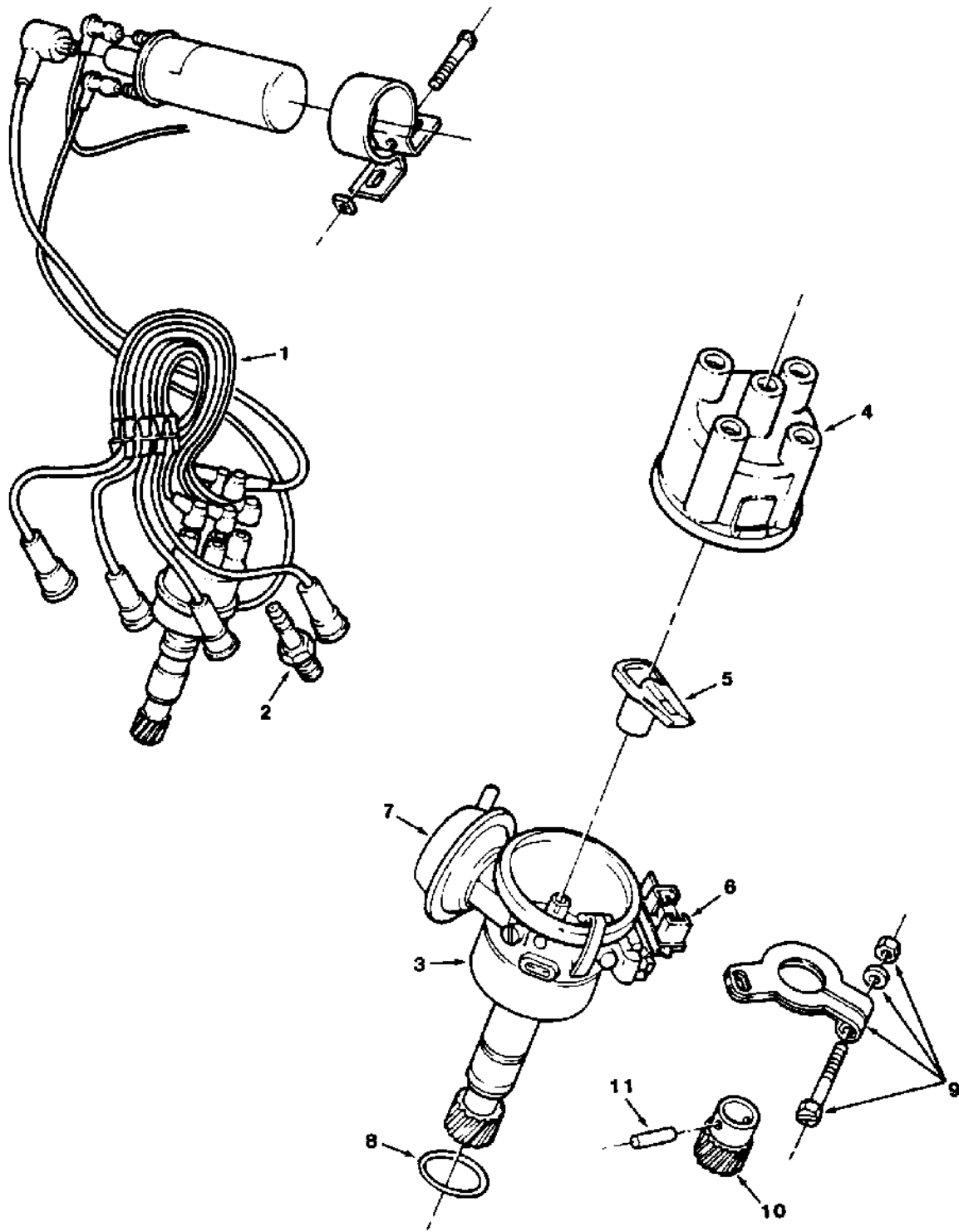


Fig. 9 – Distributor Group

NOTE: To identify parts shown but not listed here, see Section 5, Low Dump Model Parts.

Fig. 9 – Distributor Group

Key	TENNANT® Part No.	Ford Part Number	Engine Serial Number	Description	Qty.
1	10802	86BF-12286-AB	(000000-)	Wire, Spark Plug No.1	1
1	10803	86BF-12283-AB	(000000-)	Wire, Spark Plug No.2	1
1	10804	86BF-12284-AB	(000000-)	Wire, Spark Plug No.3	1
1	10805	86BF-12287-AB	(000000-)	Wire, Spark Plug No.4	1
2	07764	AGRF-22	(000000-)	Spark Plug	4
3	07770	86BF-12100-FA	(000000-)	Distributor, Complete	1
4	58507	72HF-12106-AA	(000000-)	Cap, Distributor	1
5	82697		(000000-)	Rotor	1
6		86BF-12K062-AA	(000000-)	Module, Ignition	1
7		86BF-12370-CA	(000000-)	Diaphragm, Vacuum Advance	1
8		D1RY-12143-A	(000000-)	Seal	1
9		77BF-12273-AA	(000000-)	Clamp Assembly	1
10		C6AH-12390-B	(000000-)	Gear	1
11		67555-S	(000000-)	Pin	1

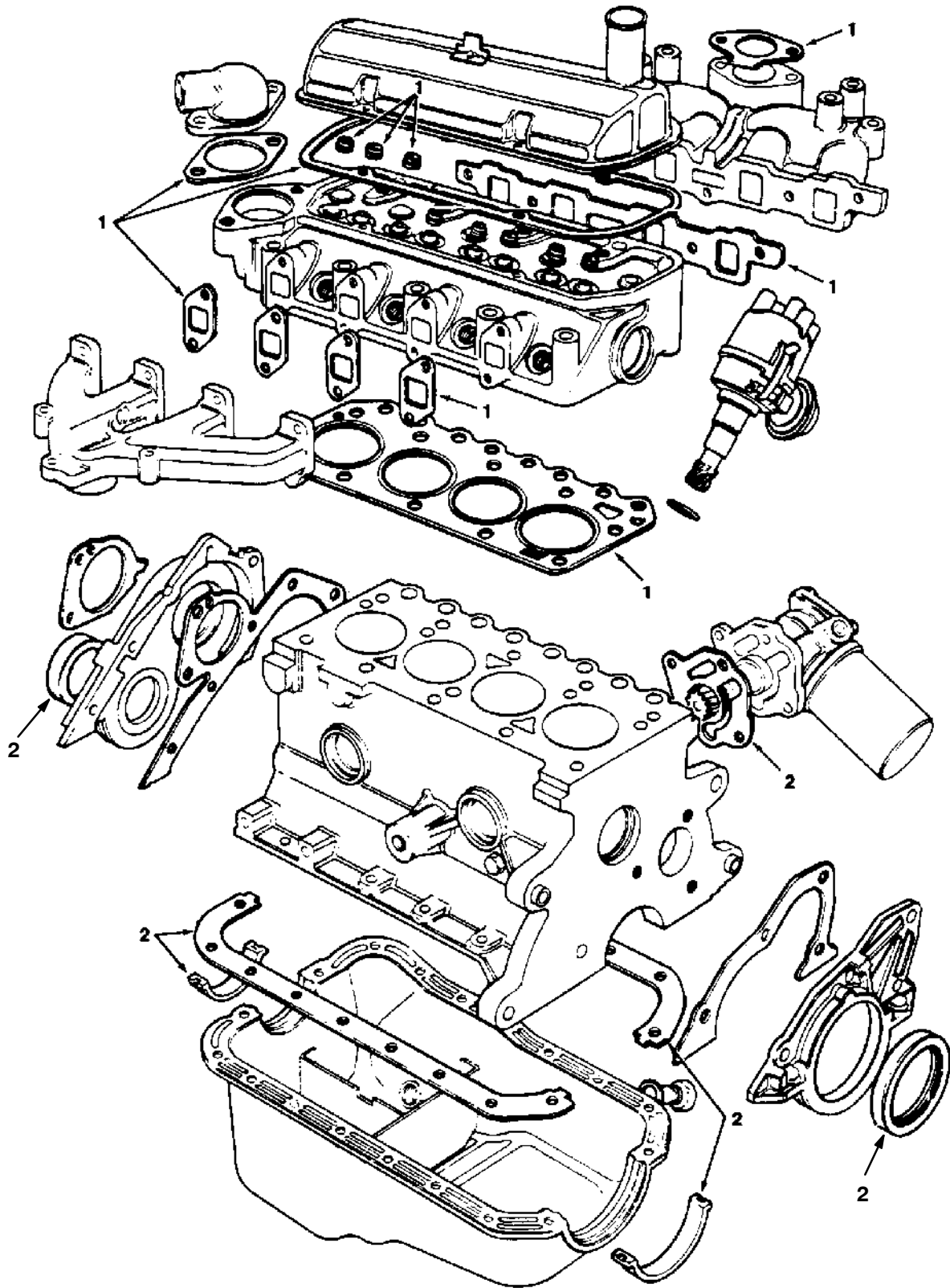


Fig. 10 – Gaskets Group

NOTE: To identify parts shown but not listed here, see Section 5, Low Dump Model Parts.

Fig. 10 – Gaskets Group

Key	TENNANT® Part No.	Ford Part Number	Engine Serial Number	Description	Qty.
1		A85OX-6014-KNA	(000000-)	Gasket Kit, Upper	1
2		A85OX-6013-AA	(000000-)	Gasket Kit, Lower	1

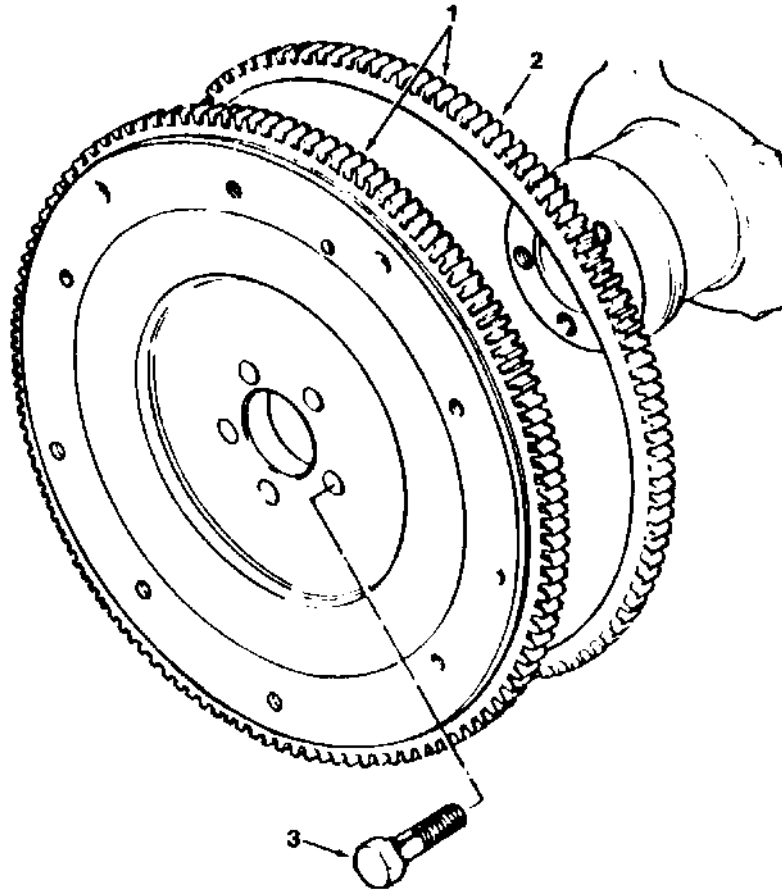


Fig. 11 – Flywheel Group

03933

Key	TENNANT® Part No.	Ford Part Number	Engine Serial Number	Description	Qty.
1		84FM-6375-AB	(000000-)	Flywheel And Ring Gear Assembly	1
2	52488	D8RZ-6384-A	(000000-)	Ring Gear, Flywheel	1
3		388156-GS	(000000-)	Bolt, Flywheel to Crankshaft, M10 x 22.5	5

SECTION 11

CONTENTS

	Page
ORDERING REPAIR PARTS	11-3
Fig. 1 – Cylinder Head, Valves Group	11-4
Fig. 2 – Cylinder Block Group	11-6
Fig. 3 – Camshaft and Valve Control Group .	11-8
Fig. 4 – Crankshaft and Piston Group	11-10
Fig. 5 – Oil Pump and Oil Pan Group	11-12
Fig. 6 – Intake Manifold Group	11-14
Fig. 7 – Front Cover Assembly Group	11-15
Fig. 8 – Water Pump Group	11-16
Fig. 9 – Distributorless Ignition Group	11-17
Fig. 10 – Gaskets Group	11-18
Fig. 11 – Flywheel Group	11-19

NOTE: SECTION 11, ENGINE PARTS, DIS, GASOLINE, LPG, lists repair parts for Distributorless (DIS) Gasoline and LPG Engines, TENNANT Part No. 30296, for machines with serial number 010750 and above.

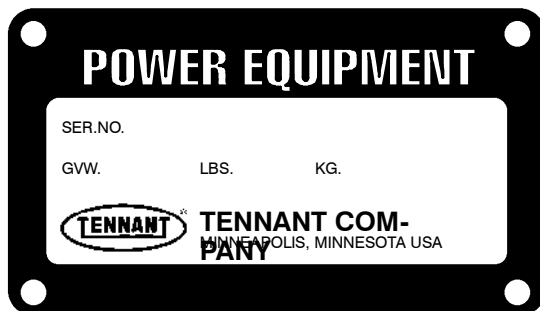
ORDERING REPAIR PARTS

The components used in this machine have been carefully selected for performance and safety. Use only Tennant Company specified or equivalent parts.

To receive prompt service in filling of your parts orders, please direct all orders for parts with Tennant Company part numbers to the Tennant Company, and all orders for parts with vendor part numbers to the local supplier of the respective vendor.

When ordering parts, please furnish all of the following information:

1. Machine model number - shown on the machine data plate.



2. Machine serial number - shown on the machine data plate.
3. Power source - gasoline, LPG, diesel, electric.
4. Company name.
5. Shipping address.
6. Billing address.
7. Name, first and last - of person ordering parts.
8. Telephone number.
9. Purchase order number.
10. Part number, description, and quantity - of each item on the order.
11. Customer ID Number.

Do not order parts by key number or the figure number of the illustrated parts. Indented items indicate parts of assemblies. Standard hardware is furnished only when part of a purchased assembly. Please get hardware from a local hardware supplier.

If the old part cannot be identified, send it to us with the quantity needed specified on the order.

Any claim for loss or damage to a shipment in transit should be filed promptly against the transportation company making the delivery. Shipments will be complete unless the packing list or order acknowledgement indicate items back ordered.

If parts received are suspected to be incorrect or defective, please write, wire, or phone the Tennant Company representative from whom you ordered the part. They will give authorization for return and/or handle replacement shipments when required.

SERIAL NUMBER INFORMATION EXPLANATION

Serial number listings are shown to indicate on which machines each part can be used. These listings are explained by the following examples:

(000000—) The part can be used on all machines.

(003342—) The part can be used on all machines beginning with the serial number listed.

(000000—004320) The part can be used on all machines up to and including serial number listed.

(004321—005678) The part can be used on all machines between and including the serial numbers listed.

Where xxxxxx's are listed in place of a serial number, it indicates a change was made but the exact serial number had not been established when the catalog went to press.

**SI UNITS OF MEASURE
(INTERNATIONAL SYSTEM)**

Metric equivalents have been included, where applicable, throughout this parts catalog.

FASTENER STRENGTH IDENTIFICATION

Fasteners required to have high—strength qualities equivalent to SAE Grade 8 are identified throughout this catalog by the description GR 8. Unless identified by this description, all standard fasteners are SAE Grade 5.

(Specifications and design subject to change without notice.)

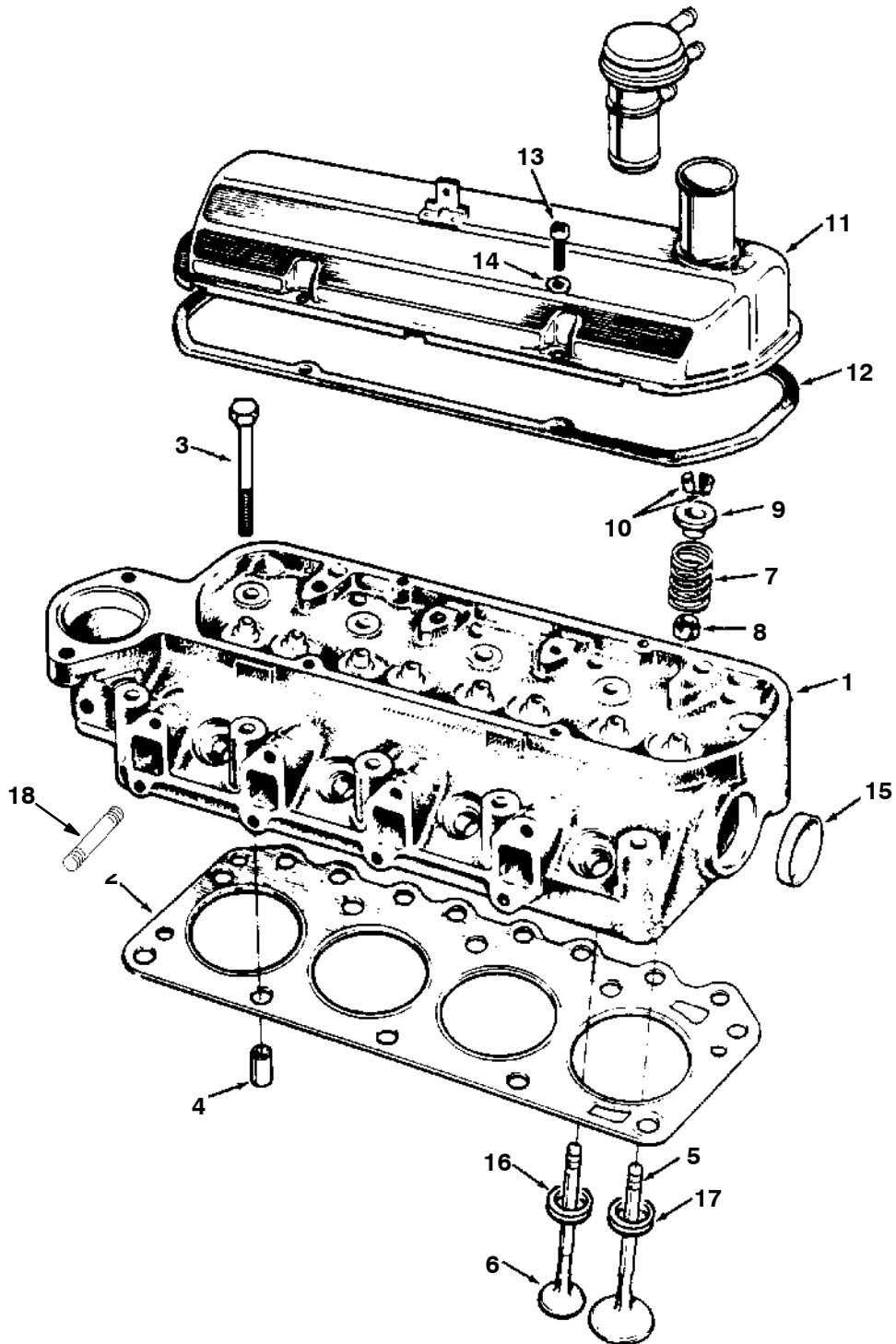


Fig. 1 - Cylinder Head, Valves Group

NOTE: To identify parts shown but not listed here, see SECTION 5, STANDARD MODEL PARTS.

Fig. 1 – Cylinder Head, Valves Group

Key	TENNANT Part No.	Ford Part Number	Engine Serial Number	Description	Qty.
1	36279	89BM-6049-DD	(000000-)	Head Assembly, Cylinder	1
2	36281	89BM-6051-C1C	(000000-)	Gasket, Cylinder Head	1
3	36297	89BM-6065-DA	(000000-)	Bolt, Cylinder Head	10
4	36298	E840126-S	(000000-)	Dowel, Cylinder Head to Block	2
5	36300	89BM-6507-BA	(000000-)	Valve, Intake, Std	4
5	36303	89BM-6507-BC	(000000-)	Valve, Intake, 0.40 mm O/S	As Req.
6	36306	89BM-6505-BC	(000000-)	Valve, Exhaust, 0.40 mm O/S	As Req.
6	36307	89BM-6505-CA	(000000-)	Valve, Exhaust, Std	4
7	36315	89BM-6513-AA	(000000-)	Spring, Valve	8
8	36317	D1FZ-6571-B	(000000-)	Seal, Valve Stem	8
9	36318	89BM-6A536-AA	(000000-)	Retainer	8
10	36319	88WM-6518-AA	(000000-)	Lock, Valve Spring	16
11	36321	89BM-6582-AA	(000000-)	Cover, Rocker Arm	1
12	07705	77BM-6584-CA	(000000-)	Gasket, Rocker Arm Cover	1
13	36324	E800516-S72	(000000-)	Screw, Rocker Cover to Head	4
14	36325	118297-ES8	(000000-)	Washer, Flat, 6 mm,	4
15	36265	D8RZ-6026-B	(000000-)	Plug	1
16	36330	89BM-6057-A2E	(000000-)	Insert, Exhaust Valve Seat	4
17	41984	89BM-6056-A1F	(000000-)	Insert, Intake Valve Seat	4
18	30327		(000000-)	Stud	8

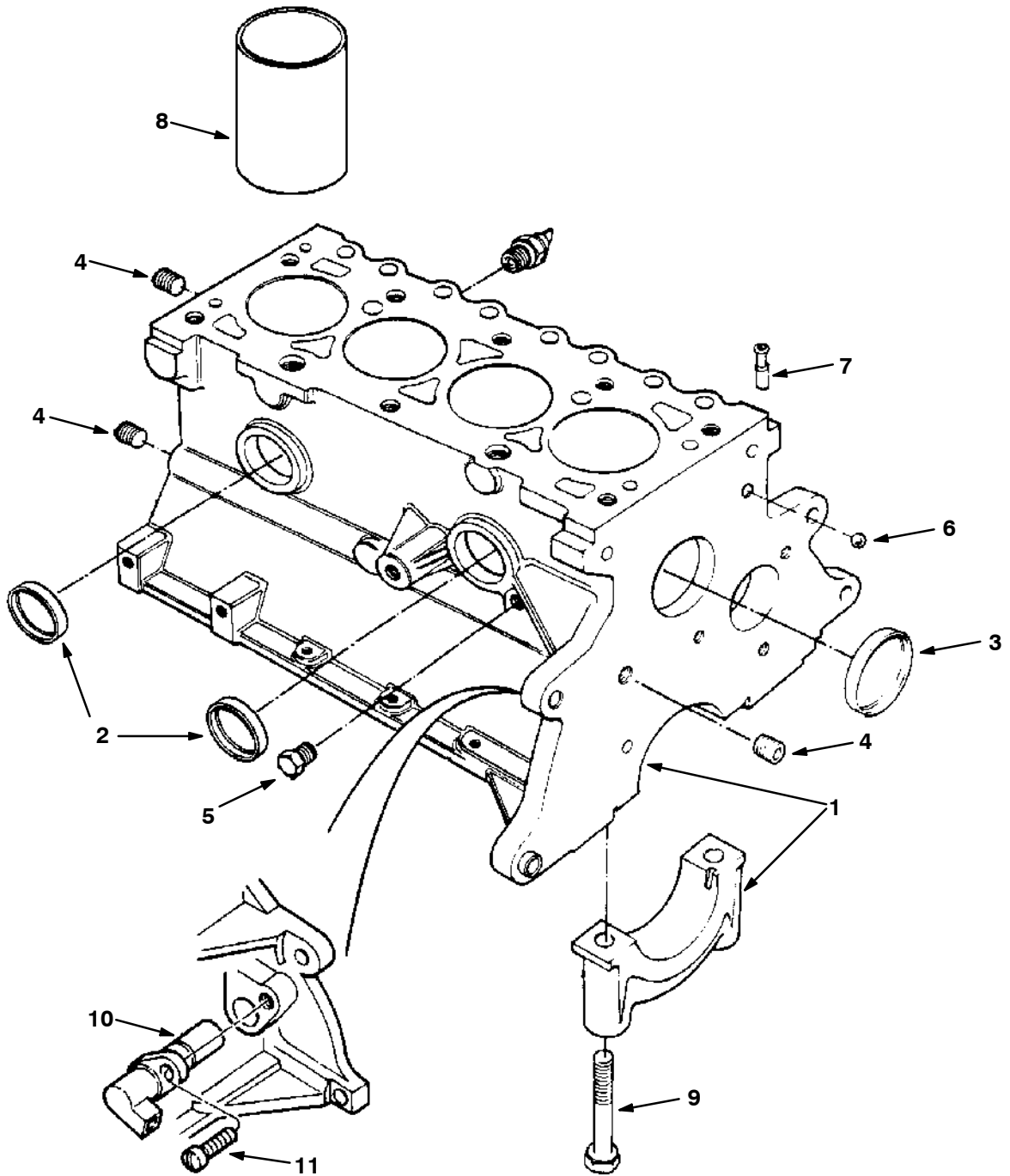


Fig. 2 – Cylinder Block Group

NOTE: To identify parts shown but not listed here, see SECTION 5, STANDARD MODEL PARTS.

Fig. 2 – Cylinder Block Group

Key	TENNANT® Part No.	Ford Part Number	Engine Serial Number	Description	Qty.
1	36264	89BM-6011-DA	(000000-)	Block, Cylinder, With Crank, Pistons, Rings, etc.	1
	36263	89BM-6010-FA	(000000-)	Block, Cylinder	1
2	36265	D8RZ-6026-B	(000000-)	Plug	2
3	36267	D8RZ-6026-A	(000000-)	Plug	1
4	36268	87837-S	(000000-)	Plug, 1/4 NPT	3
5	36272	353055-S7	(000000-)	Plug, 1/4 NPT	1
6	36273	E890100-S	(000000-)	Plug, Ball, Oil Gallery	1
7	36274	D8RZ-6767-A	(000000-)	Adapter	1
8	36275	89BM-6055-BA	(000000-)	Liner, Cylinder	As Req.
9	36276	D1FZ-6345-A	(000000-)	Bolt, Main Bearing Cap	10
10	36277	89BF-6C315-AA	(000000-)	Transducer	1
11	36278	E802666-S72	(000000-)	Screw, M6 x 14	1

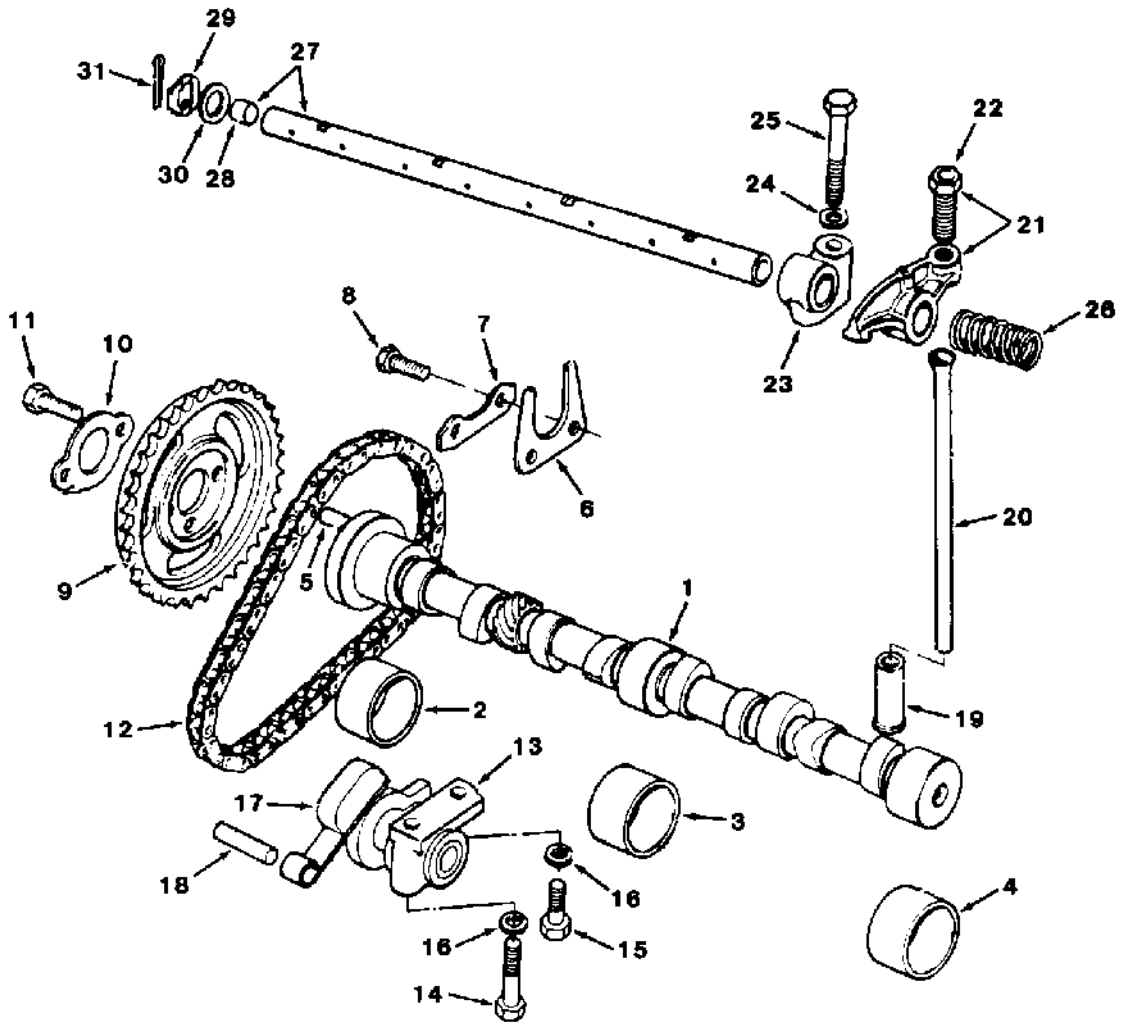


Fig. 3 – Camshaft and Valve Control Group

Fig. 3 – Camshaft and Valve Control Group

Key	TENNANT® Part No.	Ford Part Number	Engine Serial Number	Description	Qty.
1	36340	89BM-6251-AA	(000000-)	Camshaft	1
2	37316	DORY-6261-A	(000000-)	Bearing, Std ID – Std OD	1
2	37317	DORY-6261-B	(000000-)	Bearing, Std ID + 0.020 OD	As Req.
3	37306	DORY-6262-A	(000000-)	Bearing, Std ID – Std OD	1
3	38242	DORY-6262-B	(000000-)	Bearing, Std ID + 0.020 OD	As Req.
4	37306	DORY-6262-A	(000000-)	Bearing, Std ID – Std OD	1
4	38242	DORY-6262-B	(000000-)	Bearing, Std ID + 0.020 OD	As Req.
5	36341	DORY-6253-A	(000000-)	Dowel	1
6	36342	DORY-6269-A	(000000-)	Plate, Thrust	1
7	36343	DORY-6255-A	(000000-)	Retainer	1
8	36344	E602166-S72	(000000-)	Bolt, M6 x 16, Tensioner to Block	2
9	36345	77BM-6256-AA	(000000-)	Sprocket, Camshaft	1
10	36348	DORY-6258-A	(000000-)	Retainer	1
11	36349	E602351-S72	(000000-)	Bolt, M8 x 16	2
12	37307	DORY-6268-A	(000000-)	Chain	1
13	37337	D1FZ-6284-A	(000000-)	Tensioner	1
14	36372	E600116-S72	(000000-)	Bolt, M6 x 55, Tensioner to Block	1
15	36344	E602166-S72	(000000-)	Bolt, M6 x 16, Tensioner to Block	1
16	36373	34805-S8	(000000-)	Washer, 1/4 Lock	2
17	36374	77BM-6K255-AB	(000000-)	Arm, Tensioner	1
18	37694	D1FZ-6286-A	(000000-)	Pin	1
19	36375	89BM-6500-AA	(000000-)	Tappet, Std	8
20	36381	89BM-6565-AA	(000000-)	Rod, Valve Push	8
21	36382	89BM-6529-AB	(000000-)	Arm, Valve Rocker, Right, With Screw	4
21	36383	89BM-6K528-AB	(000000-)	Arm, Valve Rocker, Left, With Screw	4
22	37693	DORY-6549-B	(000000-)	Screw	8
23	36384	77BM-6531-BB	(000000-)	Support, Rocker Arm Shaft	4
24	36389	E630031-S101	(000000-)	Washer, B10 x 20 x 2.5	4
25	36390	E800509-S72	(000000-)	Bolt, Rocker Support	4
26	36402	DORY-6587-A	(000000-)	Spring, Locating	3
27	36405	77BM-6A557-BB	(000000-)	Shaft Assembly, Rocker Arm	1
28	36406	D1FZ-6026-E	(000000-)	Plug, Rocker Arm Shaft, 11 mm	2
29	36407	77BM-6598-AB	(000000-)	Washer, Spring	2
30	36408	116106-ES10	(000000-)	Washer, Flat	2
31	36409	72025-S7	(000000-)	Pin, Cotter, 2.3 mm	2

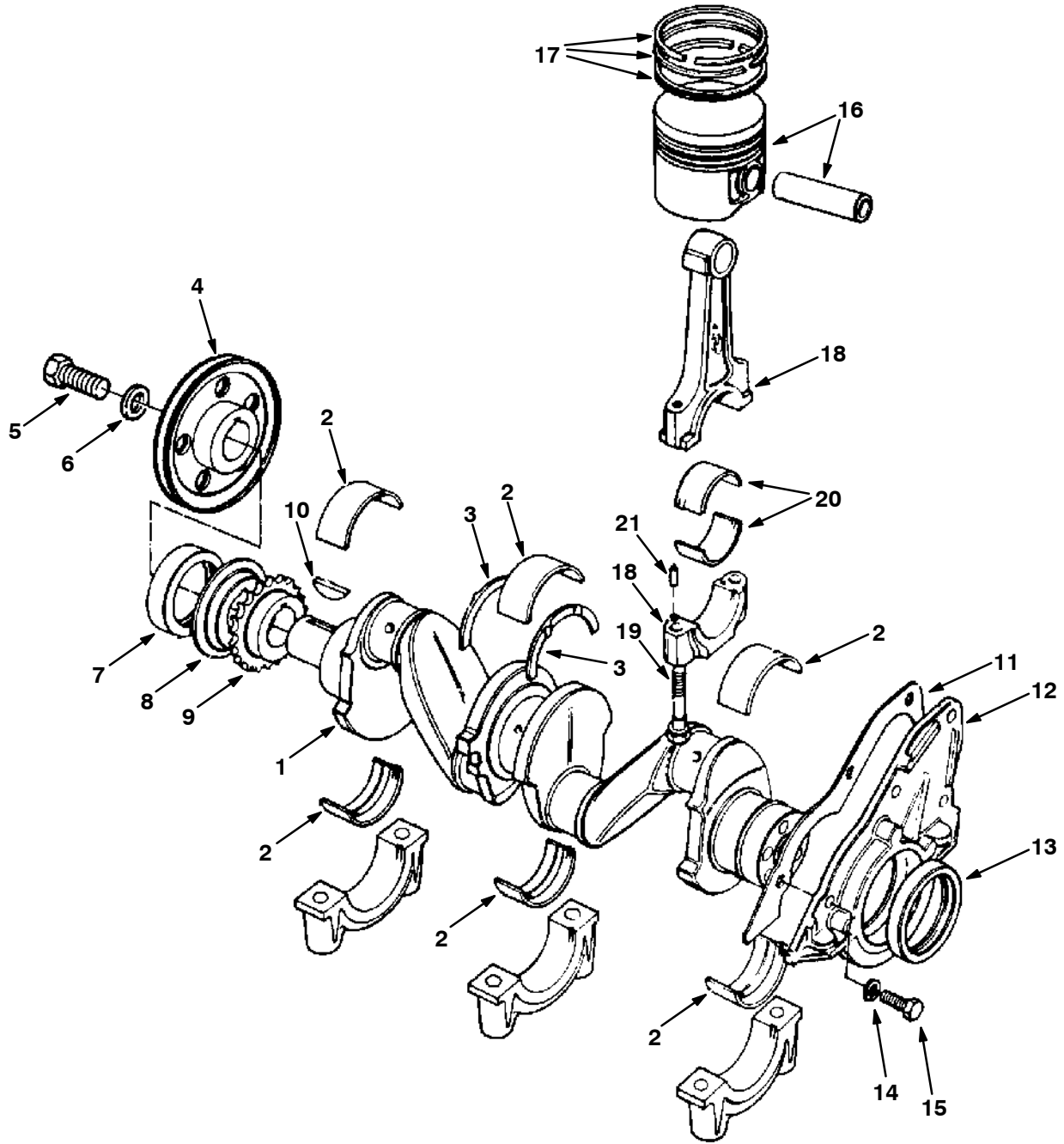


Fig. 4 – Crankshaft and Piston Group

Fig. 4 – Crankshaft and Piston Group

Key	TENNANT® Part No.	Ford Part Number	Engine Serial Number	Description	Qty.
1	36322	89BM-6303-DA	(000000-)	Crankshaft Assembly	1
2	36410	89BM-6333-AA	(000000-)	Main Bearing, Crankshaft, Std OD, Std ID	5
2	36411	89BM-6333-BA	(000000-)	Main Bearing, Crankshaft, Std OD, 0.005 US ID	As Req.
2	36412	89BM-6333-CA	(000000-)	Main Bearing, Crankshaft, Std OD, 0.010 US ID	As Req.
2	36413	89BM-6333-DA	(000000-)	Main Bearing, Crankshaft, 0.015 OS OD, Std ID	As Req.
2	36414	89BM-6333-EA	(000000-)	Main Bearing, Crankshaft, Std OD, 0.020 US ID	As Req.
2	36415	89BM-6333-FA	(000000-)	Main Bearing, Crankshaft, Std OD, 0.030 US ID	As Req.
2	36416	89BM-6333-GA	(000000-)	Main Bearing, Crankshaft, 0.015 OS OD, 0.010 US ID	As Req.
2	36418	89BM-6333-HA	(000000-)	Main Bearing, Crankshaft, 0.015 OS OD, 0.020 US ID	As Req.
3	36419	89BM-6A341-AA	(000000-)	Washer, Main Bearing Thrust, Std	2
3	36421	89BM-6A341-BA	(000000-)	Washer, Main Bearing Thrust, 0.015 OS	As Req.
4	36422	89BM-6312-AA	(000000-)	Pulley, Crankshaft, 1 Groove	1
5	36423	89BM-6K340-AA	(000000-)	Bolt, Pulley to Crankshaft, M12 x 32	1
6	07707	E830135-S76	(000000-)	Washer, Pulley to Crankshaft, B12	1
7	36257	83BM-6700-A4A	(000000-)	Seal, Front Cover	1
8	36424	D8RZ-6310-A	(000000-)	Slinger, Oil	1
9	37321	DORY-6306-A	(000000-)	Sprocket	1
10	36429	DORY-6B316-A	(000000-)	Key, Woodruff	1
11	36259	89BM-6344-BA	(000000-)	Gasket, Rear Retainer	1
12	36430	86BM-6K318-AA	(000000-)	Retainer Assembly, Rear	1
13	36262	D7RZ-6701-A	(000000-)	Seal, Crankshaft Rear	1
14	36431	E630173-S71M	(000000-)	Washer, B8 Lock	4
15	37181	E602187-S82	(000000-)	Bolt, M8 x 20	4
16	36432	89BM-6102-DA	(000000-)	Piston, Pin and Ring Assembly, Std	4
16	36433	89BM-6102-EA	(000000-)	Piston, Pin and Ring Assembly, 0.020 OS	As Req.
16	36445	89BM-6102-FA	(000000-)	Piston, Pin and Ring Assembly, 0.040 OS	As Req.
17	36450	84BM-6148-DA	(000000-)	Ring Set, Piston, Std	4
17	36451	84BM-6148-EA	(000000-)	Ring Set, Piston, 0.020 OS	As Req.
17	36452	84BM-6148-FA	(000000-)	Ring Set, Piston, 0.040 OS	As Req.
18	36453	86BM-6200-AA	(000000-)	Rod Assembly, Connecting	4
19	36454	89BM-6214-CB	(000000-)	Bolt, Connecting Rod	8
20	36463	89SM-6211-AA	(000000-)	Bearing, Connecting Rod, Std	8
20	36467	89SM-6211-BA	(000000-)	Bearing, Connecting Rod, 0.001 US	As Req.
20	36469	89SM-6211-CA	(000000-)	Bearing, Connecting Rod, 0.010 US	As Req.
20	36483	89SM-6211-DA	(000000-)	Bearing, Connecting Rod, 0.020 US	As Req.
20	36493	89SM-6211-EA	(000000-)	Bearing, Connecting Rod, 0.030 US	As Req.
21	36590	116336-ES100	(000000-)	Dowel Pin, Connecting Rod	8

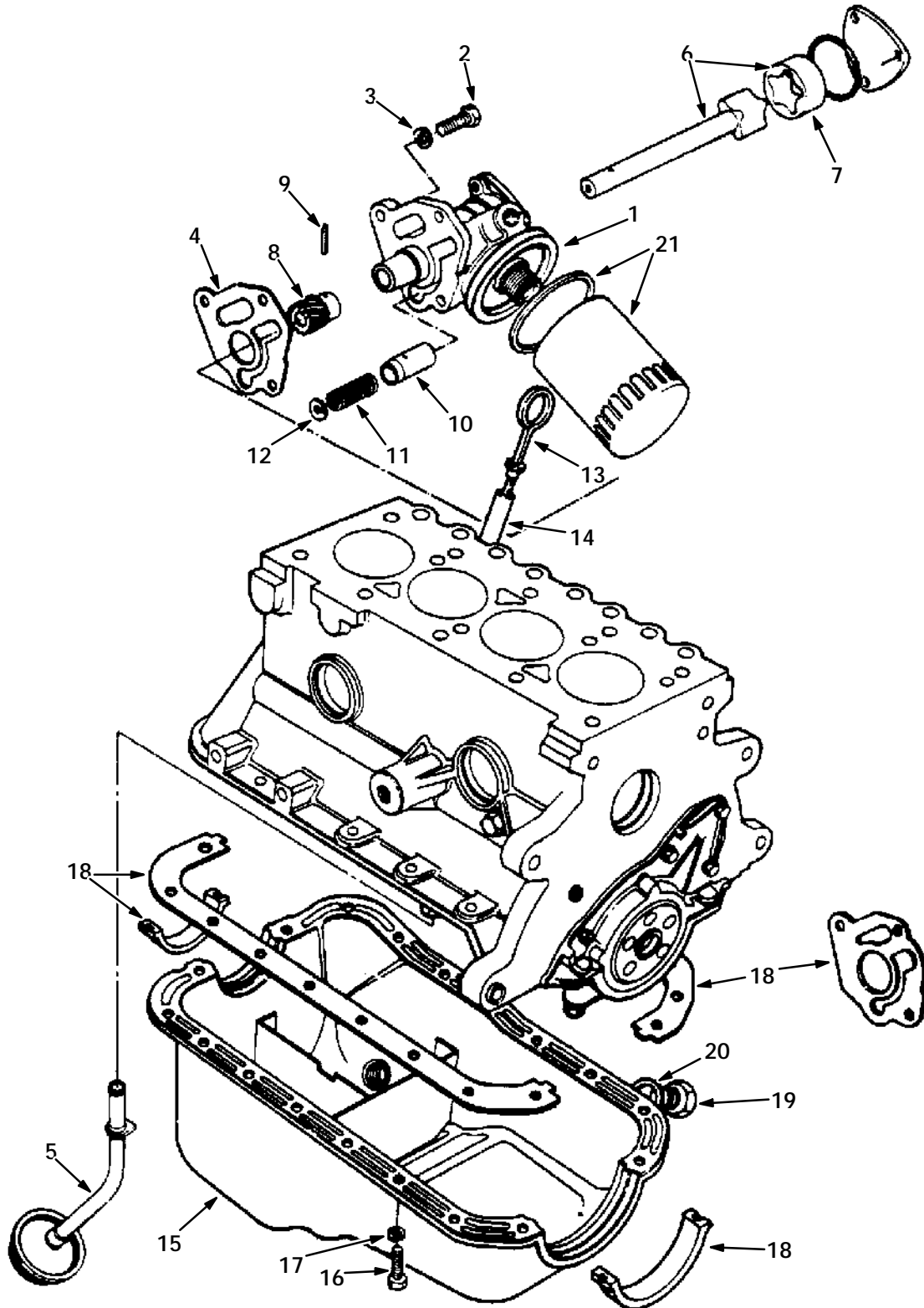


Fig. 5 -- Oil Pump and Oil Pan Group

NOTE: To identify parts shown but not listed here, see SECTION 5, STANDARD MODEL PARTS.

Fig. 5 – Oil Pump and Oil Pan Group

Key	TENNANT Part No.	Ford Part Number	Engine Serial Number	Description	Qty.
1	07710	D8RZ-6600-A	(000000-)	Pump, Oil	1
2	36748	E800519-S72	(000000-)	Bolt	3
3	36431	E630173-S71M	(000000-)	Washer, B8 Lock	3
4	36764	89BM-6659-AA	(000000-)	Gasket, Oil Pump to Block	1
5	36765	86BM-6617-AA	(000000-)	Tube Assembly, Oil Pickup	1
6	10075	D1FZ-6608-B	(000000-)	Rotor and Shaft	1
37403 7	36776	116682-ES	(000000-)	Seal, Cover Plate	1
8	36780	DORY-6652-A	(000000-)	Gear	1
9	36867	72432-S	(000000-)	Pin, Drive Gear	1
10	36881	DORY-6674-A	(000000-)	Plunger	1
11	36904	DORY-6670-A	(000000-)	Spring	1
12	36923	DORY-6666-A	(000000-)	Plug	1
13	36924	89BM-6750-AA	(000000-)	Indicator, Oil Level	1
14	37053	89BM-6784-AA	(000000-)	Tube, Oil Level Indicator	1
15	37098	86BM-6675-AA	(000000-)	Oil Pan	1
16	37099	E602165-S72	(000000-)	Bolt, M6 x 14, Oil Pan	18
17	36373	34805-S8	(000000-)	Washer, 1/4 Lock	18
18	10806	A850X-6013-AA	(000000-)	Kit, Oil Pan Gasket	1
19	37127	EOFZ-6730-B	(000000-)	Plug, Oil Drain	1
20	37157	EOFZ-6734-A	(000000-)	Gasket, Oil Drain Plug	1
21	19205		(000000-)	Filter, Engine Oil	1

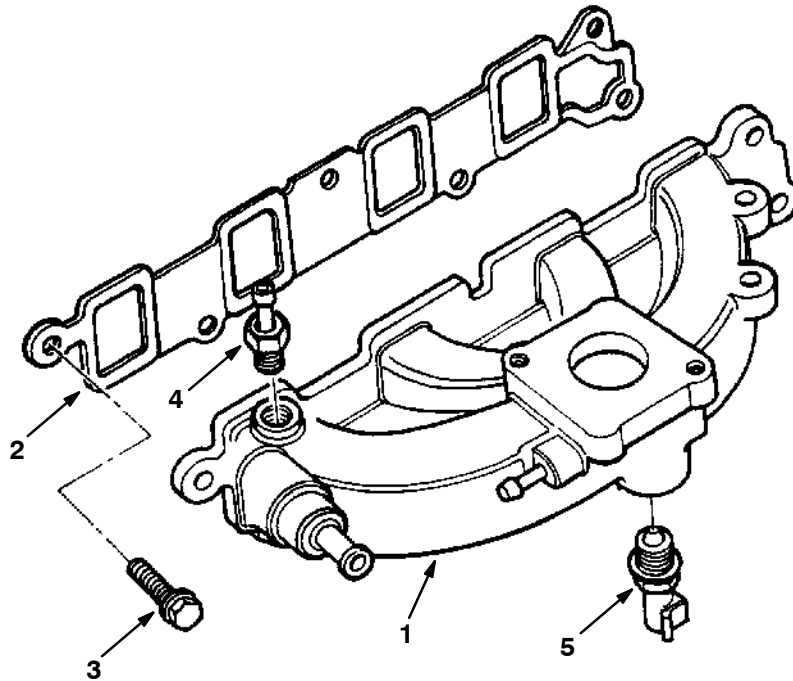


Fig. 6 – Intake Manifold Group

05506

Key	TENNANT® Part No.	Ford Part Number	Engine Serial Number	Description	Qty.
1	37194	89BF-9424-AD	(000000-)	Manifold, Intake	1
2	37195	89BM-9441-AB	(000000-)	Gasket, Intake Manifold	1
3	37196	E800157-S72	(000000-)	Bolt, M8 x 25	6
4	37198	77BF-9K442-AA	(000000-)	Adapter, Vacuum	1
5	37199	E4AF-12A648-AA	(000000-)	Sensor, Water Temperature	1

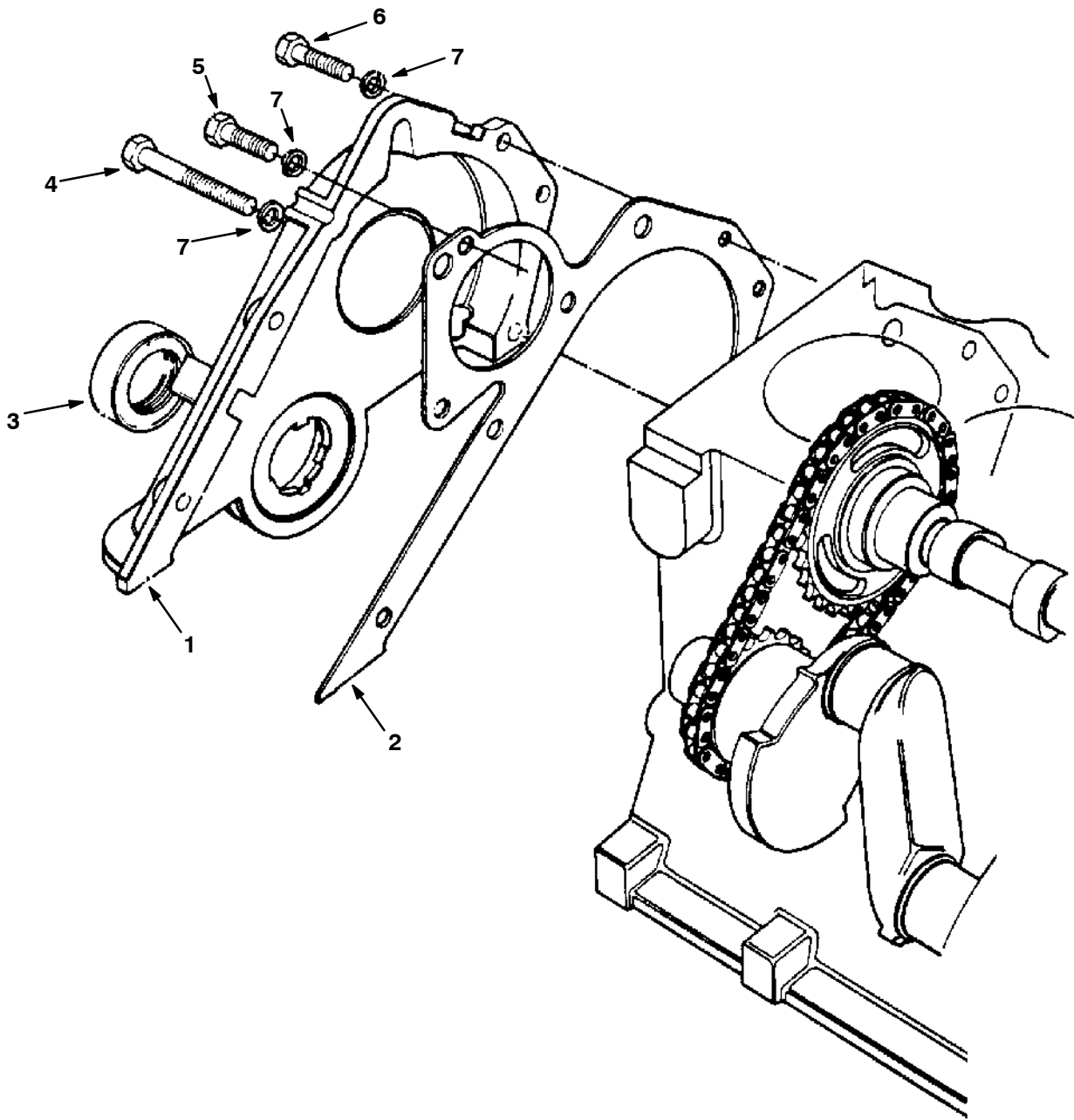


Fig. 7 – Front Cover Assembly Group

05499

Key	TENNANT® Part No.	Ford Part Number	Engine Serial Number	Description	Qty.
1	36332	89BM-6019-AA	(000000-)	Cover and Seal Assembly, Cylinder Front	1
2	36258	89BM-6020-AA	(000000-)	Gasket, Front Cover	1
3	36333	83BM-6700-A3A	(000000-)	Seal, Front Cover	1
4	36337	E800518-S72	(000000-)	Bolt, M6 x 45, Front Cover to Block	1
5	39047	E800113-S72	(000000-)	Bolt, M6 x 40, Front Cover to Block	3
6	36338	E800512-S72	(000000-)	Bolt, M6 x 18, Front Cover to Block	4
7	36339	E630152-S71	(000000-)	Washer, Lock, B6, Front Cover and W/P to Block	8

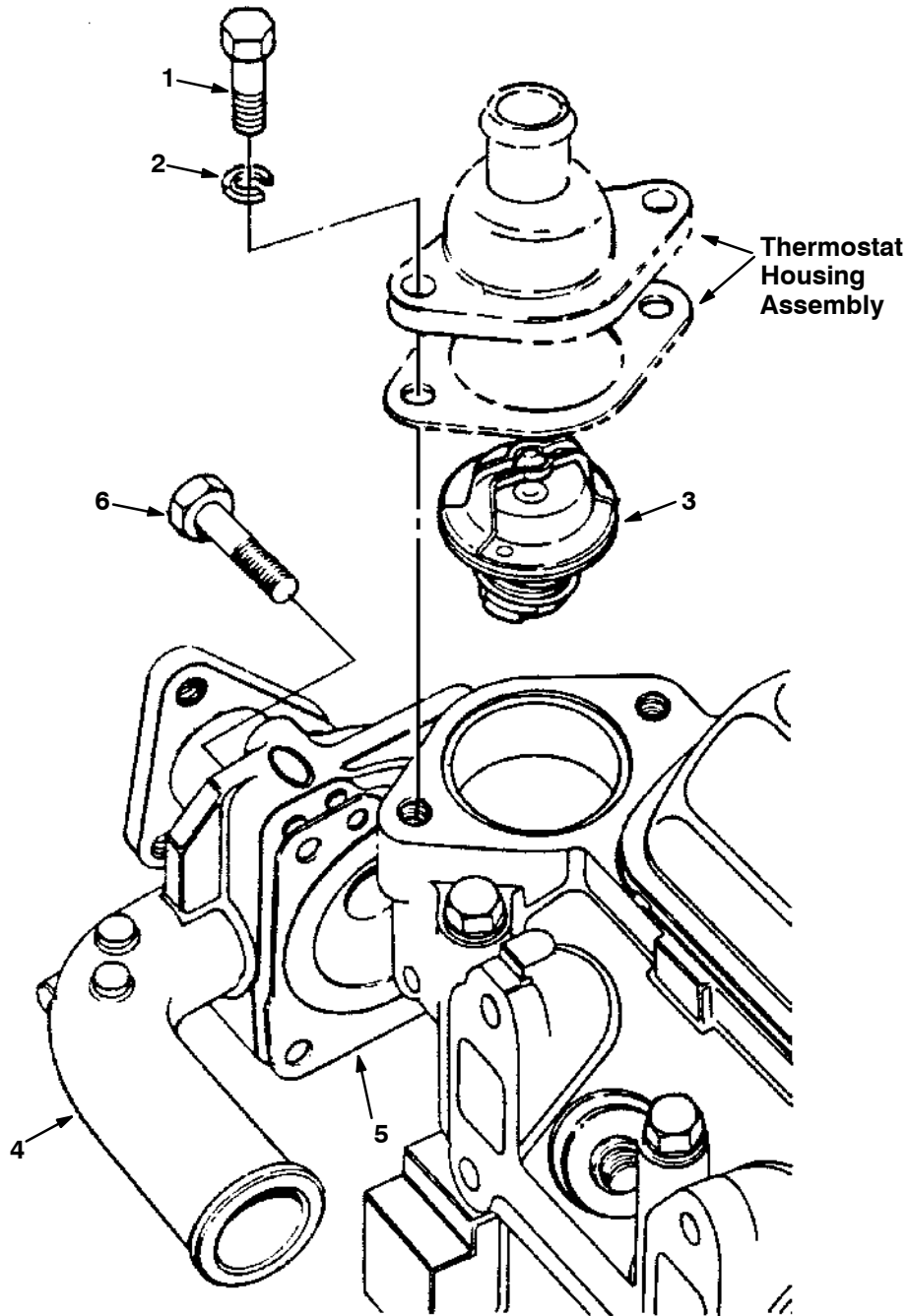


Fig. 8 – Water Pump Group

05509

Key	TENNANT® Part No.	Ford Part Number	Engine Serial Number	Description	Qty.
1	37181	E602187-S82	(000000-)	Bolt, M8 x 20	2
2	36431	E630173-S71M	(000000-)	Washer, B8 Lock	2
3	37327	RT-351	(000000-)	Thermostat	1
4	37188	89BM-8501-BD	(000000-)	Water Pump	1
5	37189	89BM-8507-AA	(000000-)	Gasket, Water Pump	1
6	37193	E600113-S72	(000000-)	Bolt, M6 x 40, Front Cover and W/P to Block	3

NOTE: To identify parts shown but not listed here, see SECTION 5, STANDARD MODEL PARTS.

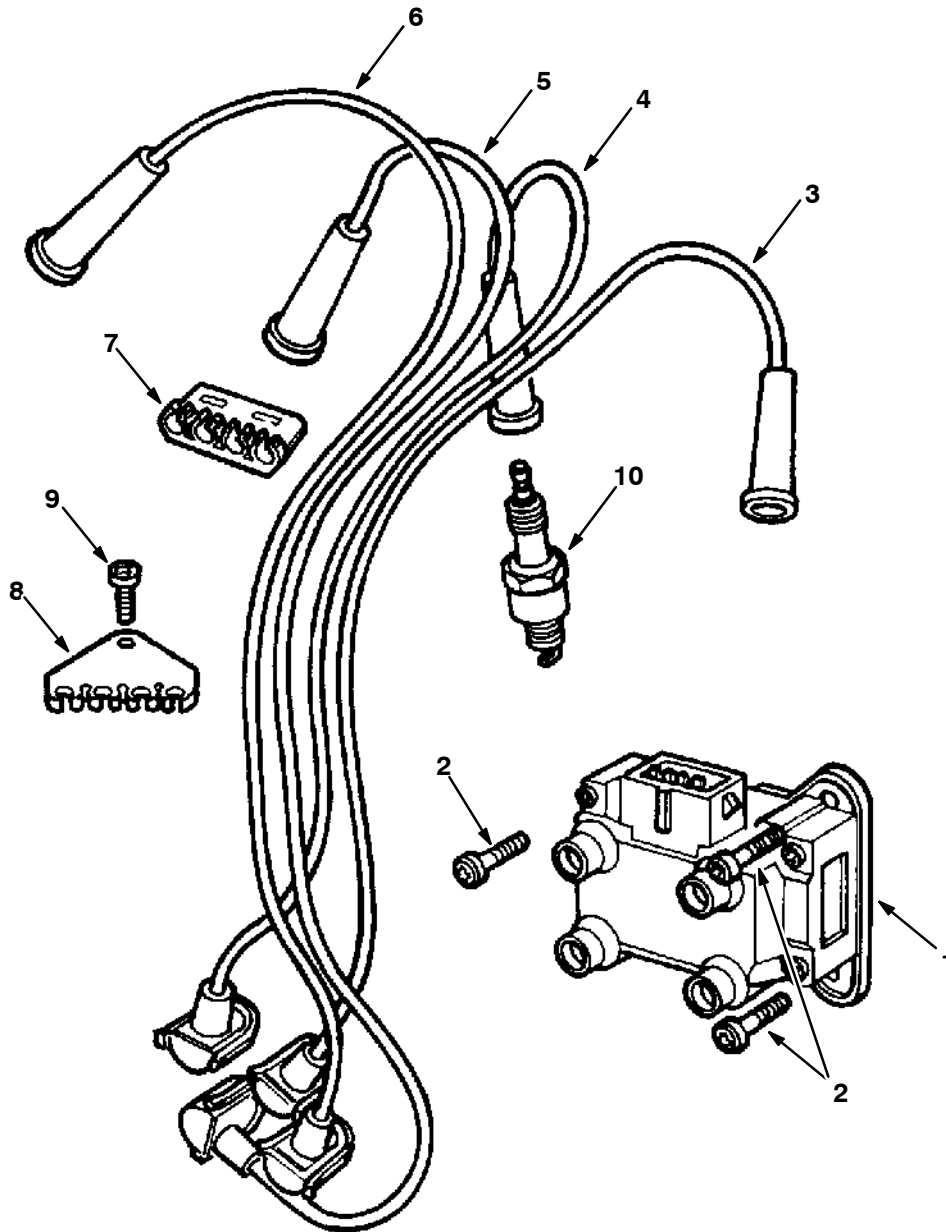


Fig. 9 – Distributorless Ignition Group

05508

Key	TENNANT® Part No.	Ford Part Number	Engine Serial Number	Description	Qty.
1	39025	89BF-12024-AB	(000000-)	Coil and Bracket Assembly, Ignition	1
2	39026	E804335-S201	(000000-)	Screw, M8 x 14	3
	39035	E8JL-12A200-AC	(000000-)	Wiring Harness, Ignition	1
3	39038	89BF-12286-AC	(000000-)	Wire, Spark Plug, No. 1	1
4	39040	89BF-12283-AC	(000000-)	Wire, Spark Plug, No. 2	1
5	39041	89BF-12284-AC	(000000-)	Wire, Spark Plug, No. 3	1
6	39042	89BF-12287-AC	(000000-)	Wire, Spark Plug, No. 4	1
7	39043	E865648-S	(000000-)	Separator, Ignition Wire	1
8	39044	89BF-12297-AA	(000000-)	Separator, Ignition Wire	1
9	39045	E802166-S76	(000000-)	Screw, M4 x 10	1
10	39046	87YF-12405-AA	(000000-)	Spark Plug	4

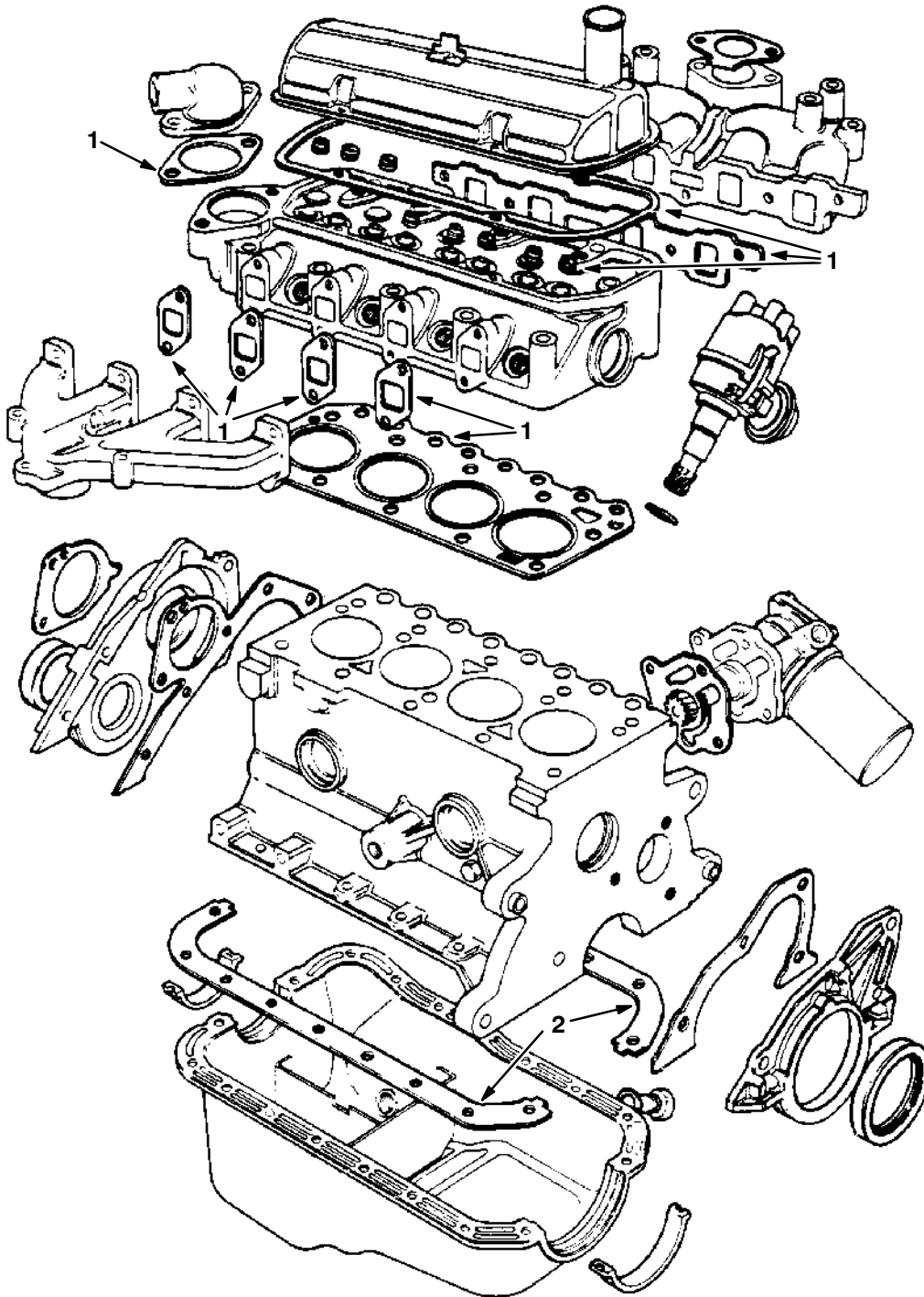


Fig. 10 – Gaskets Group

05495

Key	TENNANT® Part No.	Ford Part Number	Engine Serial Number	Description	Qty.
	36253	88BX-6008-BA	(000000-)	Engine Gasket Kit, Complete	1
1	36254	88BX-6014-BA	(000000-)	Engine Gasket Kit, Upper	1
2	10806	A850X-6013-AA	(000000-)	Engine Gasket Kit, Oil Pan	1

NOTE: To identify parts shown but not listed here, see SECTION 5, STANDARD MODEL PARTS.

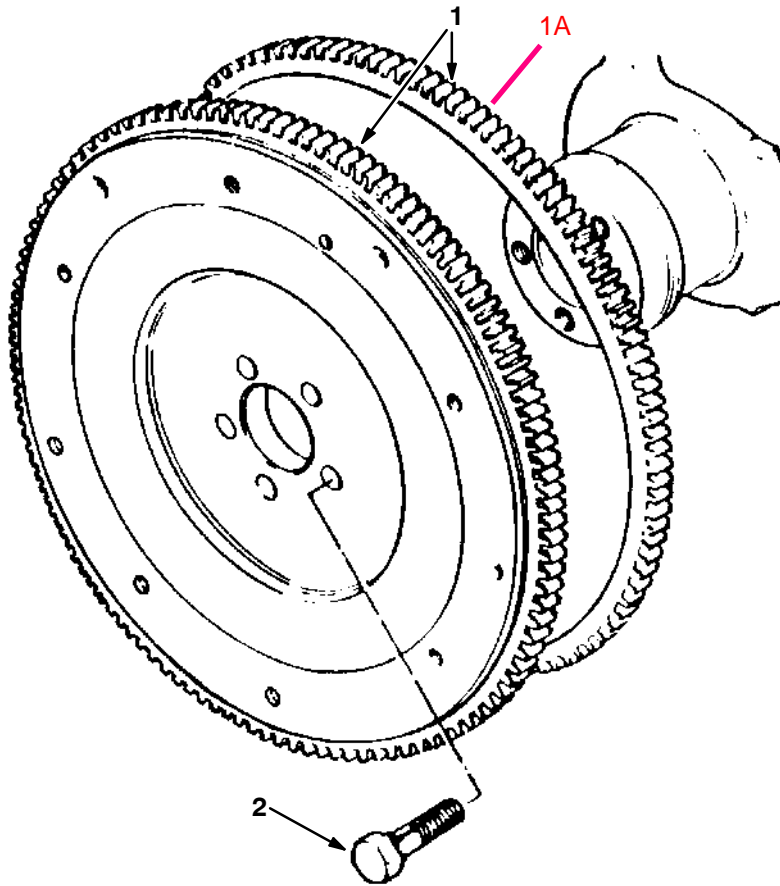


Fig. 11 – Flywheel Group

05502

Key	TENNANT® Part No.	Ford Part Number	Engine Serial Number	Description	Qty.
1	36591	89BM-6375-BA	(000000-)	Flywheel and Ring Gear Assembly	1
2	36630	D2RY-6379-A	(000000-)	Bolt, M10 x 22.5, Flywheel to Crankshaft	6
	36646	D1FZ-6397-B	(000000-)	Dowel	6
1A	52488	D8Rz-6384-A		Ring Gear, Flywheel (part of Flywheel assy)	1

SECTION 12

CONTENTS

	Page
ORDERING REPAIR PARTS	12-3
Fig. 1 – Crankcase Group	12-4
Fig. 2 – Oil Pan Group	12-6
Fig. 3 – Cylinder Head Group	12-7
Fig. 4 – Gear Case Group	12-8
Fig. 5 – Main Bearing Case Group	12-10
Fig. 6 – Inlet Manifold Group	12-11
Fig. 7 – Valve, Rocker Arm Group	12-12
Fig. 8 – Head Cover Group	12-14
Fig. 9 – Piston and Crankshaft Group	12-16
Fig. 10 – Camshaft Group	12-18
Fig. 11 – Flywheel Group	12-19
Fig. 12 – Nozzle Group	12-20
Fig. 13 – Fuel Camshaft Group	12-22
Fig. 14 – Governor Group	12-24
Fig. 15 – Speed Control Plate Group	12-25
Fig. 16 – Stop Lever Group	12-26
Fig. 17 – Thermostat Group	12-27
Fig. 18 – Water Pump Group	12-28
Fig. 19 – Starter Breakdown	12-29

NOTE: SECTION 12, ENGINE PARTS, DIESEL, lists repair parts for diesel powered engines, TENNANT part number 30366.

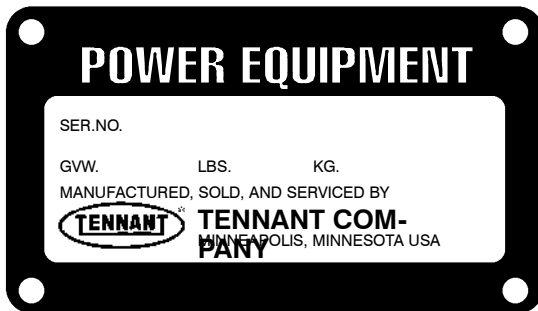
ORDERING REPAIR PARTS

The components used in this machine have been carefully selected for performance and safety. Use only Tennant Company specified or equivalent parts.

To receive prompt service in filling of your parts orders, please direct all orders for parts with Tennant Company part numbers to the Tennant Company, and all orders for parts with vendor part numbers to the local supplier of the respective vendor.

When ordering parts, please furnish all of the following information:

1. Machine model number - shown on the machine data plate.



2. Machine serial number - shown on the machine data plate.
3. Power source - gasoline, LPG, diesel, electric.
4. Company name.
5. Shipping address.
6. Billing address.
7. Name, first and last - of person ordering parts.
8. Telephone number.
9. Purchase order number.
10. Part number, description, and quantity - of each item on the order.

Do not order parts by key number or the figure number of the illustrated parts. Indented items indicate parts of assemblies. Standard hardware is furnished only when part of a purchased assembly. Please get hardware from a local hardware supplier.

If the old part cannot be identified, send it to us with the quantity needed specified on the order.

Any claim for loss or damage to a shipment in transit should be filed promptly against the transportation company making the delivery. Shipments will be complete unless the packing list or order acknowledgement indicate items back ordered.

If parts received are suspected to be incorrect or defective, please write, wire, or phone the Tennant Company representative from whom you ordered the part. They will give authorization for return and/or handle replacement shipments when required.

SERIAL NUMBER INFORMATION EXPLANATION

Serial number listings are shown to indicate on which machines each part can be used. These listings are explained by the following examples:

(000000—) The part can be used on all machines.

(003342—) The part can be used on all machines beginning with the serial number listed.

(000000—004320) The part can be used on all machines up to and including serial number listed.

(004321—005678) The part can be used on all machines between and including the serial numbers listed.

Where xxxxx's are listed in place of a serial number, it indicates a change was made but the exact serial number had not been established when the catalog went to press.

SI UNITS OF MEASURE (INTERNATIONAL SYSTEM)

Metric equivalents have been included, where applicable, throughout this parts catalog.

FASTENER STRENGTH IDENTIFICATION

Fasteners required to have high—strength qualities equivalent to SAE Grade 8 are identified throughout this catalog by the description GR 8. Unless identified by this description, all standard fasteners are SAE Grade 5.

(Specifications and design subject to change without notice.)

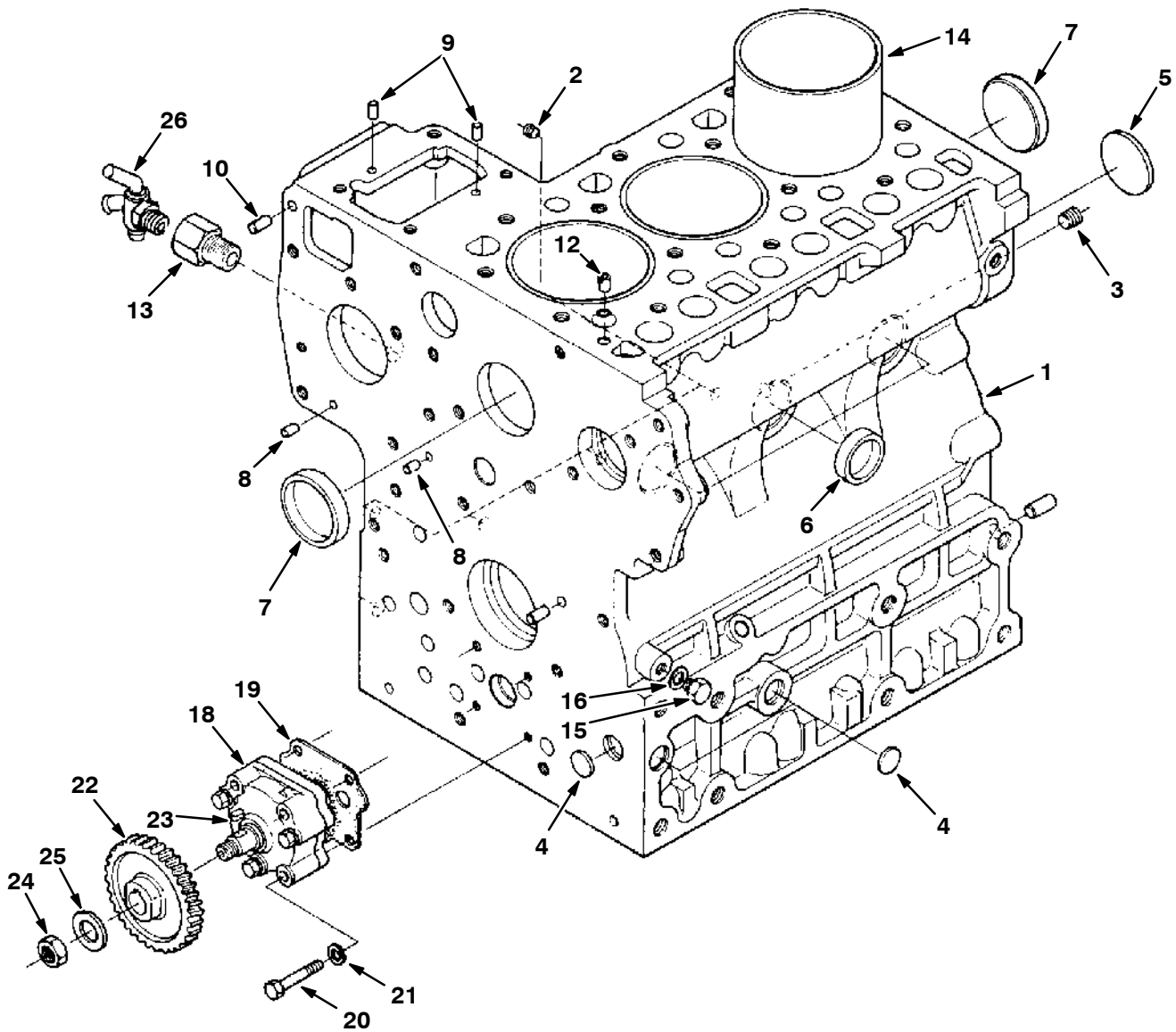


Fig. 1 – Crankcase Group

Fig. 1 -- Crankcase Group

Key	TENNANT® Part No.	Kubota Part Number	Engine Serial Number	Description	Qty.
1		19271-0101-0	(000000-)	Crankcase Assembly	1
2		15521-9602-0	(000000-)	Plug, Pin	5
3		15521-9603-0	(000000-)	Plug	2
4		06311-75015	(000000-)	Plug, Expansion	3
5		06311-75045	(000000-)	Plug, Expansion	1
6		15221-0338-0	(000000-)	Cap, Sealing	5
7		15221-0339-0	(000000-)	Cap, Sealing	2
8		05012-00408	(000000-)	Pin, Straight	2
9		05012-00609	(000000-)	Pin, Straight	2
10		05012-00612	(000000-)	Pin, Straight	2
11		05012-01018	(000000-)	Pin, Straight	1
12		15221-3365-0	(000000-)	Pin, Pipe	1
13		15291-7316-0	(000000-)	Connector, Drain Cock	1
14		15521-0231-0	(000000-)	Liner, Cylinder	3
15		15221-3361-0	(000000-)	Plug	1
16		15021-3366-0	(000000-)	Gasket	1
17		15221-3370-0	(000000-)	O-Ring	1
18		15321-3501-0	(000000-)	Pump, Oil	1
19		15221-3515-0	(000000-)	Gasket, Oil Pump	1
20		01053-50648	(000000-)	Bolt	4
21		04512-50060	(000000-)	Washer, Spring	4
22		19202-3566-0	(000000-)	Gear, Oil Pump Drive	1
23		05712-00410	(000000-)	Key, Feather	1
24		15221-3568-0	(000000-)	Nut	1
25		15221-3567-0	(000000-)	Washer	1
26		14412-7311-0	(000000-)	Cock, Drain	1

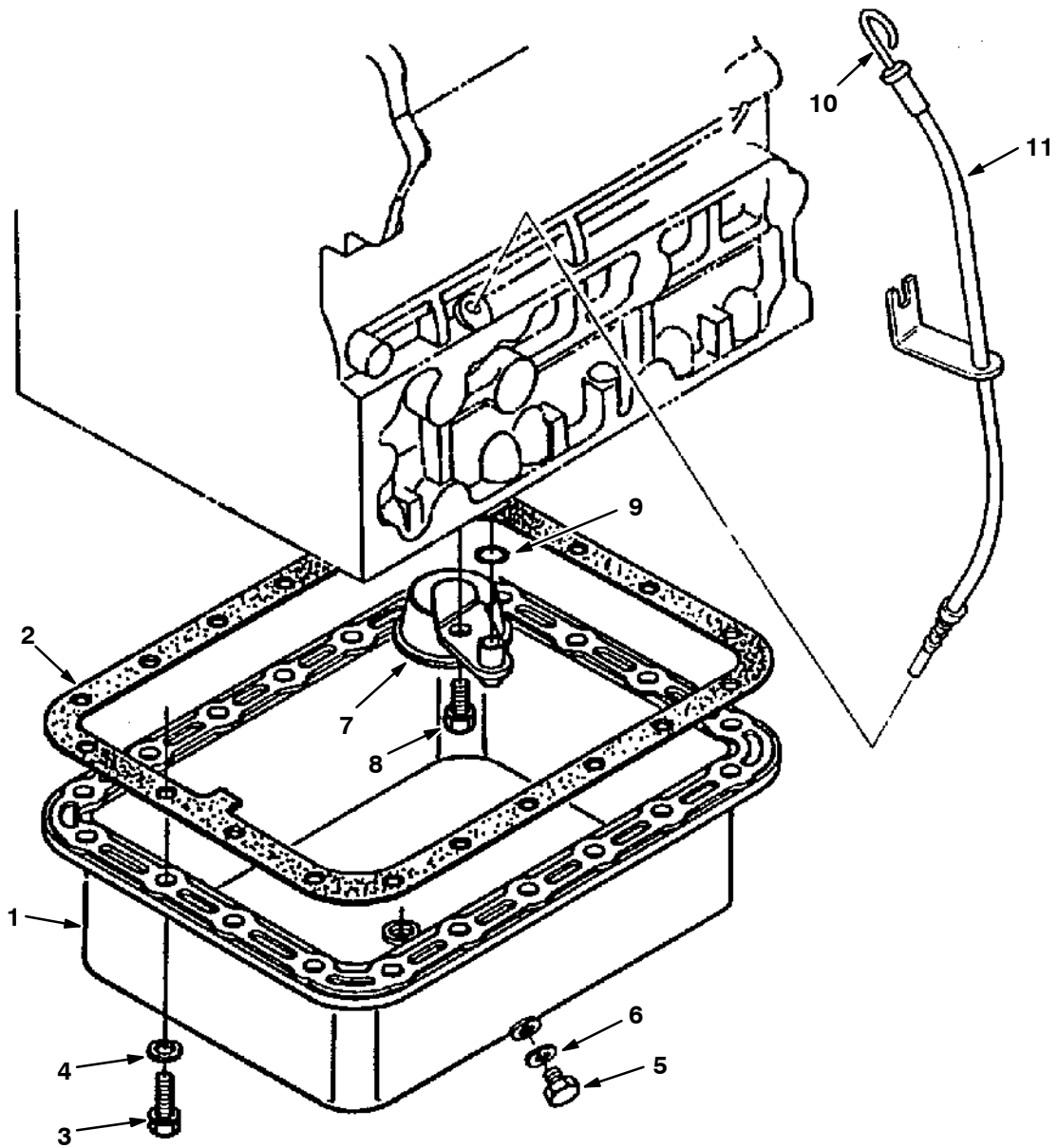


Fig. 2 – Oil Pan Group

02685

Key	TENNANT® Part No.	Kubota Part Number	Engine Serial Number	Description	Qty.
1		15324-0161-3	(000000-)	Oil Pan	1
2		15341-0162-0	(000000-)	Gasket, Oil Pan	1
3		01133-51025	(000000-)	Bolt	20
4		15201-9401-0	(000000-)	Washer, Plain	20
5		15221-3375-0	(000000-)	Plug	3
6		15109-3366-0	(000000-)	Gasket	3
7		15401-3211-0	(000000-)	Filter, Oil	1
8		01123-50814	(000000-)	Bolt	1
9		04811-00140	(000000-)	O-Ring	1
10		15418-3641-1	(000000-)	Gauge, Oil	1
11		15418-3642-1	(000000-)	Guide, Oil Gauge	1

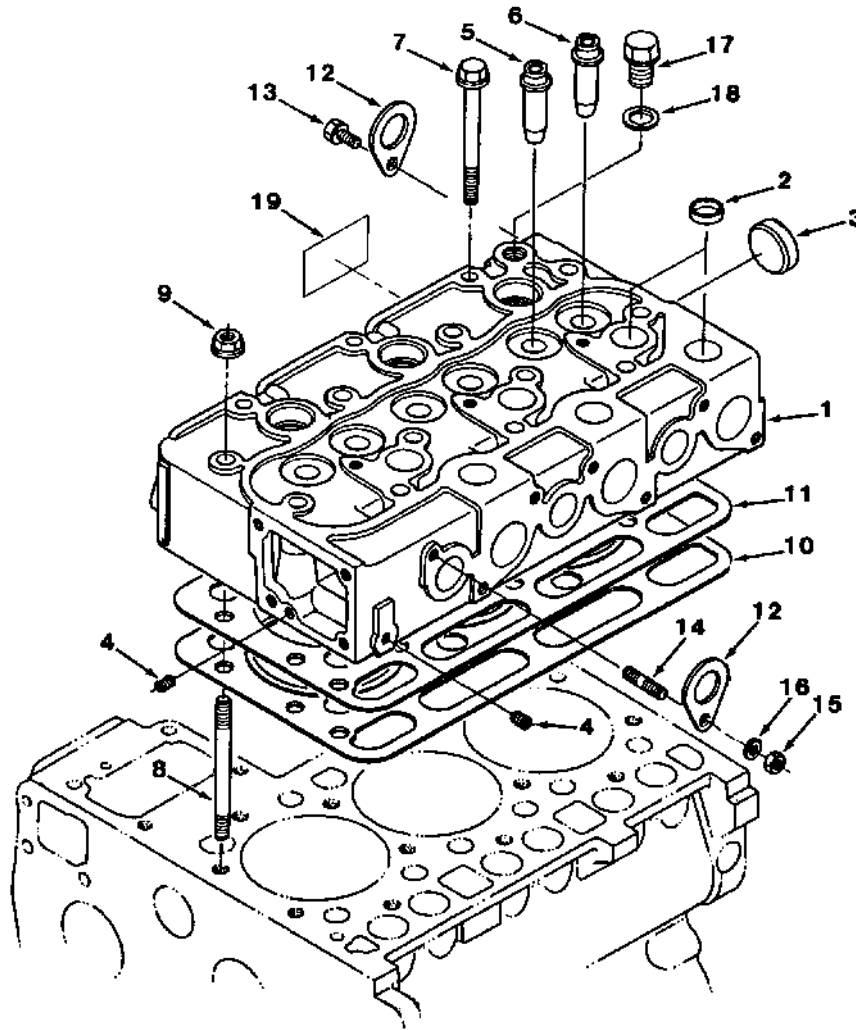


Fig. 3 – Cylinder Head Group

02686

Key	TENNANT® Part No.	Kubota Part Number	Engine Serial Number	Description	Qty.
1		15521-0304-0	(000000-)	Head Assembly Cylinder	1
2		15221-0337-0	(000000-)	Cap, Sealing	9
3		15221-0349-0	(000000-)	Cap, Sealing	1
4		15261-9601-0	(000000-)	Plug, Pin	2
5		15221-1358-0	(000000-)	Guide, Valve	3
6		15601-1356-0	(000000-)	Guide, Exhaust Valve	3
7		19202-0345-0	(000000-)	Bolt, Head	12
8		19202-0341-0	(000000-)	Stud, Head	2
9		19202-0351-0	(000000-)	Nut, Head	2
10		15521-0331-0	(000000-)	Gasket, Head	1
11	12793	15521-0332-0	(000000-)	Shim, Head Gasket	As Req.
12		15221-0175-0	(000000-)	Hook, Engine	2
13		01123-50816	(000000-)	Bolt	1
14		15521-9149-0	(000000-)	Stud	1
15		02156-50080	(000000-)	Nut	1
16		04512-50080	(000000-)	Washer, Spring	1
17		15000-3608-0	(000000-)	Plug, Head	1
18		04717-01600	(000000-)	Washer, Seal	1
19		15222-8821-0	(000000-)	Label, Caution	1

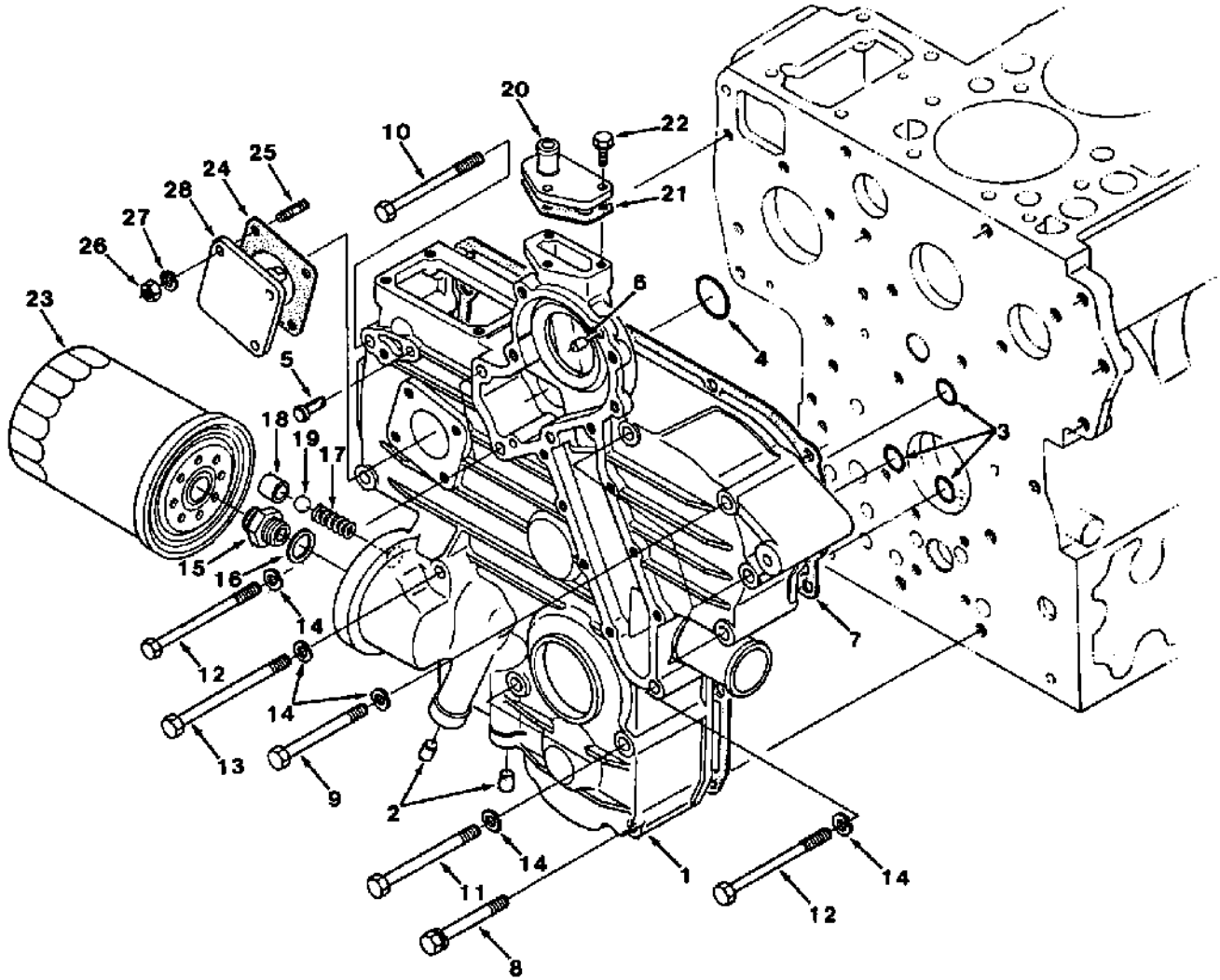


Fig. 4 – Gear Case Group

Fig. 4 – Gear Case Group

Key	TENNANT® Part No.	Kubota Part Number	Engine Serial Number	Description	Qty.
1		15521-0402-0	(000000-)	Case Assembly, Gear	1
2		15521-3363-0	(000000-)	Plug, Pin	2
3		04811-00150	(000000-)	O-Ring	3
4		04811-00360	(000000-)	O-Ring	1
5		15221-5628-0	(000000-)	Pin, Start Spring	1
6		05012-00612	(000000-)	Pin, Straight	2
7		15521-0413-0	(000000-)	Gasket, Gear Case	1
8		01123-50860	(000000-)	Bolt	2
9		01153-50870	(000000-)	Bolt	5
10		15521-9101-0	(000000-)	Bolt	1
11		01153-50880	(000000-)	Bolt	2
12		15521-9102-0	(000000-)	Bolt	3
13		01153-50895	(000000-)	Bolt	2
14		04512-50080	(000000-)	Washer, Spring	13
15		15521-3229-0	(000000-)	Joint, Pipe	1
16		04011-50180	(000000-)	Washer, Plain	1
17		15241-3695-0	(000000-)	Spring	1
18		15521-3693-0	(000000-)	Seat, Valve	1
19		07715-03213	(000000-)	Ball	1
20		15521-7332-0	(000000-)	Flange, Water Return	1
21		15521-7333-0	(000000-)	Gasket, Water Return Flange	1
22		01023-50620	(000000-)	Bolt	3
23	82693	15521-3243-0	(000000-)	Cartridge, Oil Filter	1
24		15221-8813-0	(000000-)	Gasket, Hour Meter	1
25		15221-8821-0	(000000-)	Stud	4
26		02056-50060	(000000-)	Nut	4
27		04512-50060	(000000-)	Washer, Spring	4
28		15223-8334-0	(000000-)	Cover	1

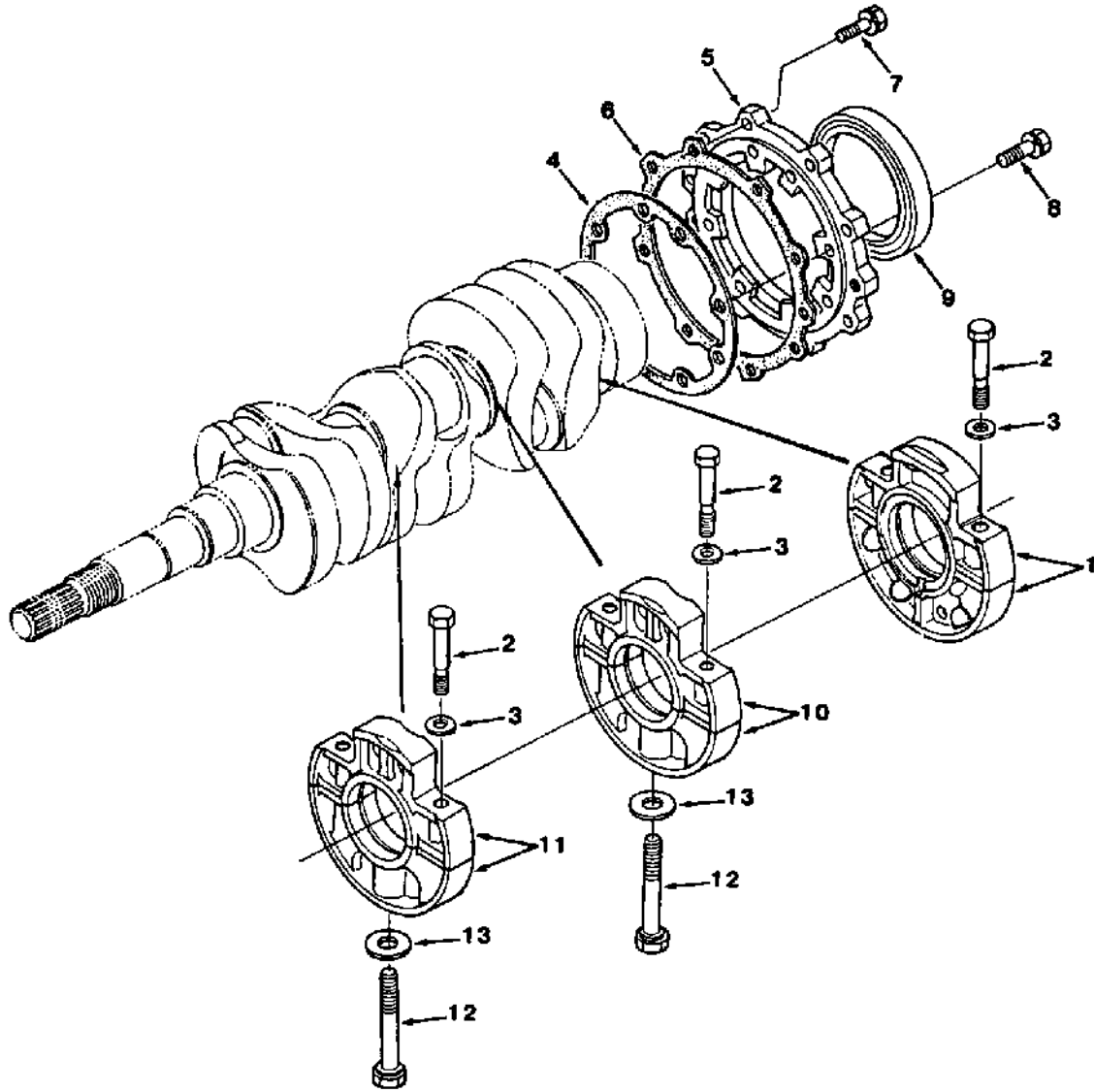


Fig. 5 – Main Bearing Case Group

02688

Key	TENNANT Part No.	Kubota Part Number	Engine Serial Number	Description	Qty.
1		19202-0404-0	(000000-)	Case Assembly, Main Bearing	1
2		15521-0454-0	(000000-)	Bolt, Bearing Case	6
3		15521-9401-0	(000000-)	Washer, Plain	6
4		15221-0436-0	(000000-)	Gasket	1
5		19202-0481-0	(000000-)	Cover, Bearing Case	1
6		15221-0482-0	(000000-)	Gasket	1
7		01123-50825	(000000-)	Bolt	8
8		01123-50828	(000000-)	Bolt	8
9		19202-0446-0	(000000-)	Seal, Oil	1
10		15521-0405-0	(000000-)	Case Assembly, Main Bearing	1
11		15521-0406-0	(000000-)	Case Assembly, Main Bearing	1
12		15291-0456-0	(000000-)	Bolt	2
13		15521-9402-0	(000000-)	Washer, Plain	2

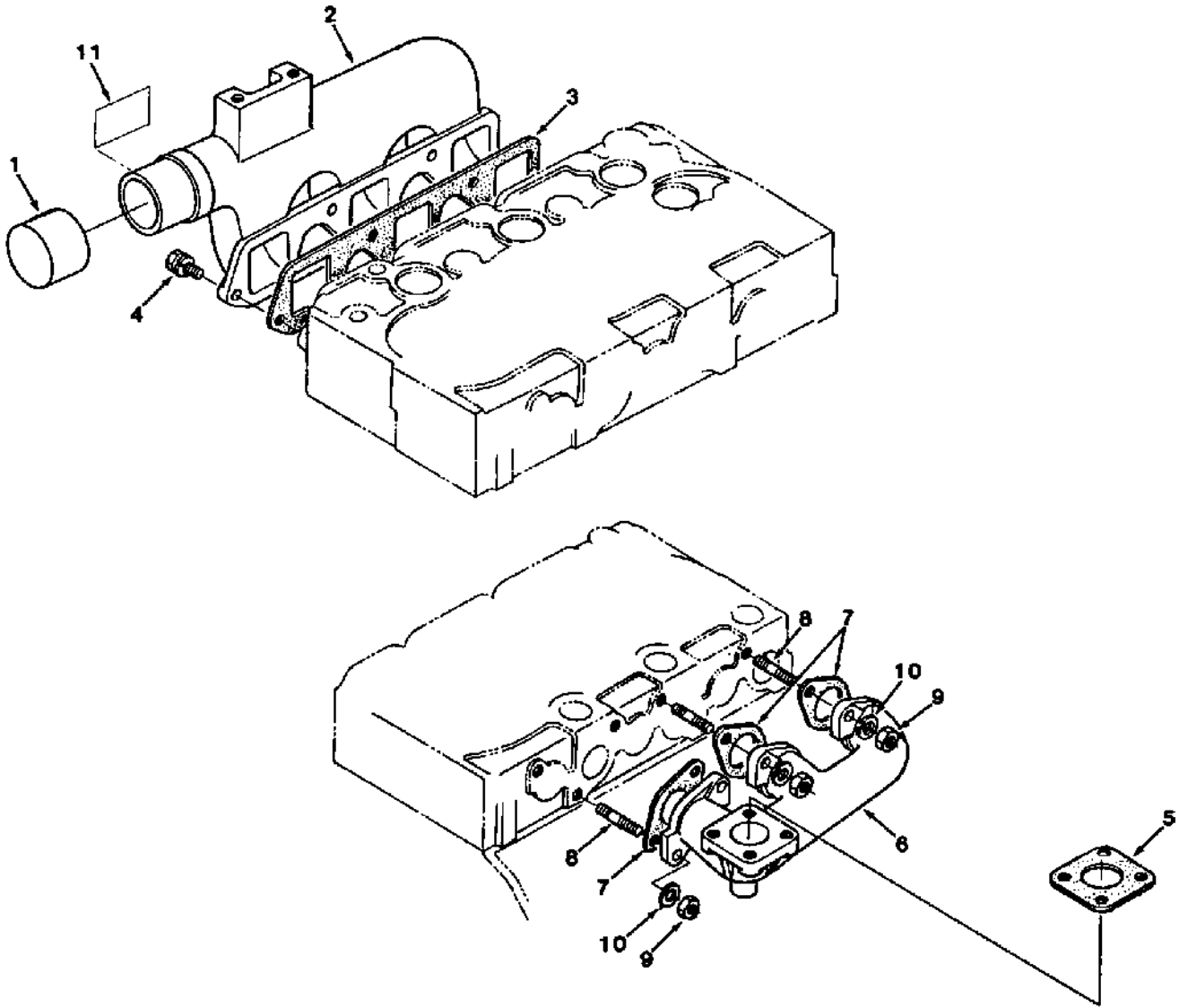


Fig. 6 – Inlet Manifold Group

02689

Key	TENNANT® Part No.	Kubota Part Number	Engine Serial Number	Description	Qty.
1		15000-3624-0	(000000-)	Cap	1
2		15501-1176-0	(000000-)	Manifold, Inlet	1
3		15521-1182-0	(000000-)	Gasket, Inlet Manifold	1
4		01123-50822	(000000-)	Bolt	5
5		15371-1237-0	(000000-)	Gasket, Muffler	1
6		15521-1231-0	(000000-)	Manifold, Exhaust	1
7		15521-1235-0	(000000-)	Gasket, Exhaust Manifold	3
8		15221-9153-0	(000000-)	Stud	6
9		02156-50080	(000000-)	Nut	6
10		04512-50080	(000000-)	Washer, Spring	6
11		32210-3479-0	(000000-)	Label, Decompression	1

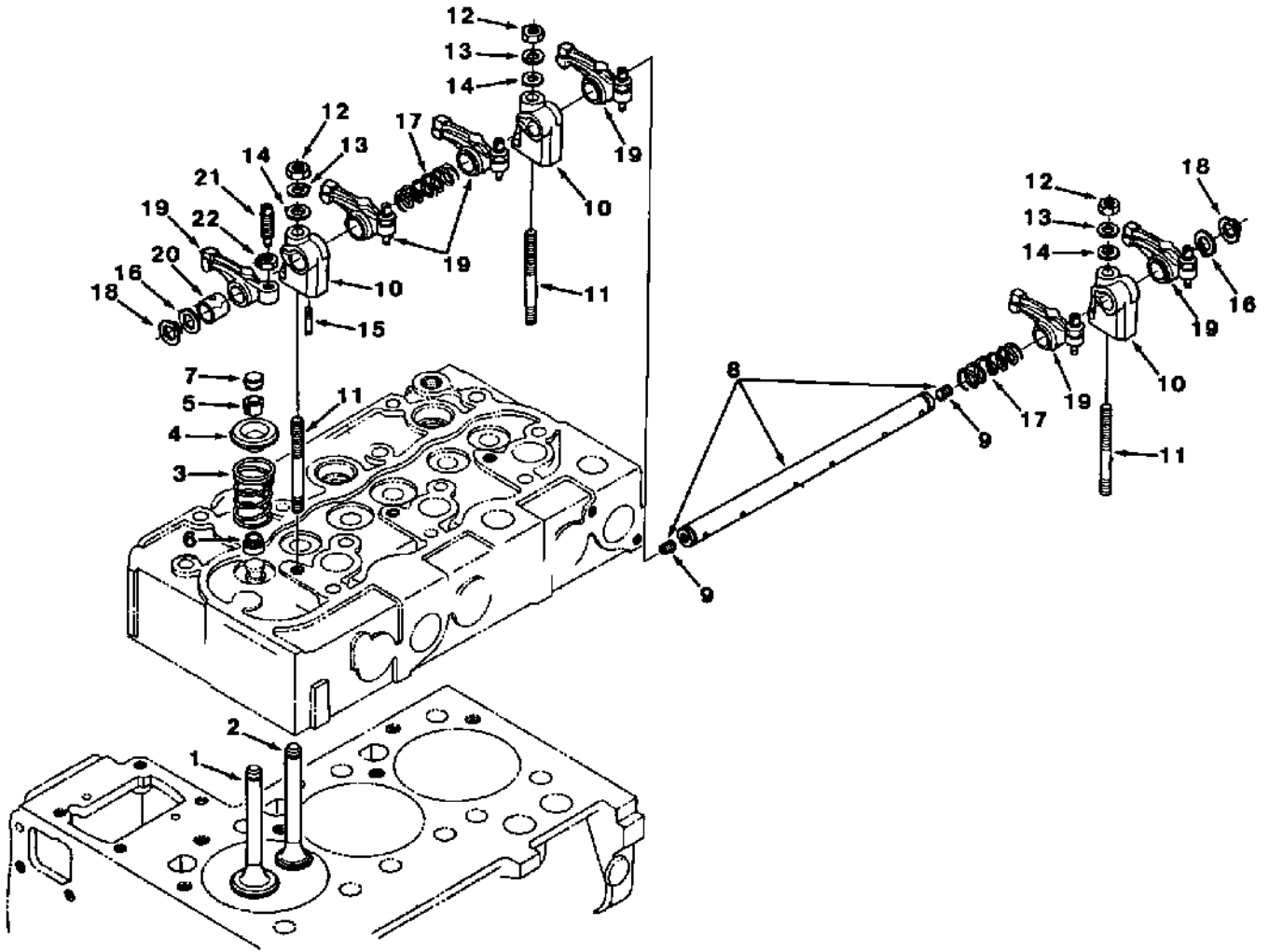


Fig. 7 – Valve, Rocker Arm Group

Fig. 7 – Valve, Rocker Arm Group

Key	TENNANT Part No.	Kubota Part Number	Engine Serial Number	Description	Qty.
1		15221-1311-0	(000000-)	Valve, Inlet	3
2		15221-1312-0	(000000-)	Valve, Exhaust	3
3		15221-1324-0	(000000-)	Spring, Valve	6
4		15221-1333-0	(000000-)	Retainer, Valve Spring	6
5		15221-1336-0	(000000-)	Collet, Valve Spring	12
6		15221-1315-0	(000000-)	Seal, Valve Stem	6
7		15221-1328-0	(000000-)	Cap, Valve	6
8		15321-1405-0	(000000-)	Shaft Assembly, Rocker Arm	1
9		03410-00808	(000000-)	Screw, Set	2
10		15221-1435-0	(000000-)	Bracket, Rocker Arm	3
11		15521-9150-0	(000000-)	Stud	3
12		02156-50080	(000000-)	Nut	3
13		04512-50080	(000000-)	Washer, Spring	3
14		04012-50080	(000000-)	Washer, Plain	3
15		15221-1442-0	(000000-)	Screw, Set	1
16		15221-1443-0	(000000-)	Washer	2
17		15221-1431-0	(000000-)	Spring, Rocker Arm	2
18		04612-00140	(000000-)	Cir-Clip, External	2
19	39153	15601-1403-0	(000000-)	Arm Assembly, Rocker	6
20		15221-1418-0	(000000-)	Bushing, Rocker Arm	6
21		15521-1423-0	(000000-)	Screw, Adjusting	6
22		15021-1424-0	(000000-)	Nut	6

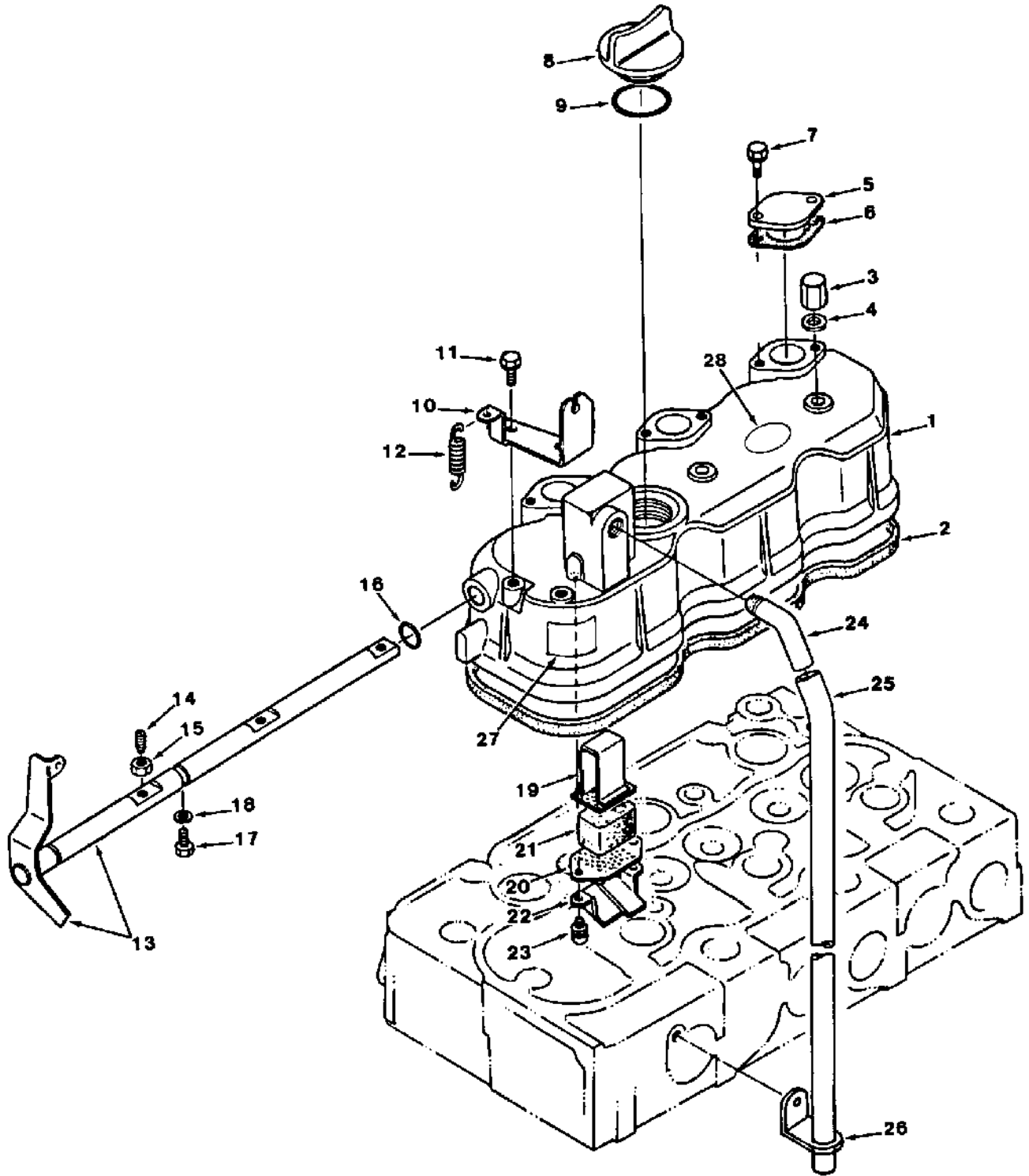


Fig. 8 – Head Cover Group

Fig. 8 – Head Cover Group

Key	TENNANT® Part No.	Kubota Part Number	Engine Serial Number	Description	Qty.
1		15521-1451-0	(000000-)	Cover, Cylinder Head	1
2		15521-1452-0	(000000-)	Gasket, Head Cover	1
3		15451-9233-0	(000000-)	Nut, Cap	3
4		15021-3366-0	(000000-)	Gasket	3
5		15221-6663-0	(000000-)	Cover, Decompression Hole	3
6		15221-6664-0	(000000-)	Gasket, Cover	3
7		01023-50614	(000000-)	Bolt	6
8		15221-3314-0	(000000-)	Plug, Oil Filler	1
9		04811-50300	(000000-)	O-Ring	1
10		15221-6619-0	(000000-)	Holder, Decompression Wire	1
11		01023-50614	(000000-)	Bolt	2
12		15221-6628-0	(000000-)	Spring, Decompression	1
13		15521-6604-0	(000000-)	Shaft Assembly, Decompression	1
14		15221-6635-0	(000000-)	Bolt, Decompression	3
15		15221-6636-0	(000000-)	Nut, Decompression	3
16		04811-06100	(000000-)	O-Ring	1
17		15221-6641-0	(000000-)	Bolt	1
18		04512-50060	(000000-)	Washer, Spring	1
19		15521-0514-0	(000000-)	Plate, Breather Element	1
20		15521-0515-0	(000000-)	Plate, Breather Element	1
21		15521-0567-0	(000000-)	Element, Breather	1
22		15521-0537-0	(000000-)	Oil Shield, Breather	1
23		15521-9331-0	(000000-)	Screw	2
24		15521-0555-0	(000000-)	Joint, Breather Pipe	1
25		15521-0551-0	(000000-)	Pipe, Breather	1
26		15401-0558-0	(000000-)	Clamp, Pipe	1
27		19271-8711-0	(000000-)	Plate, Name	1
28		19231-8731-0	(000000-)	Label, Oil	1

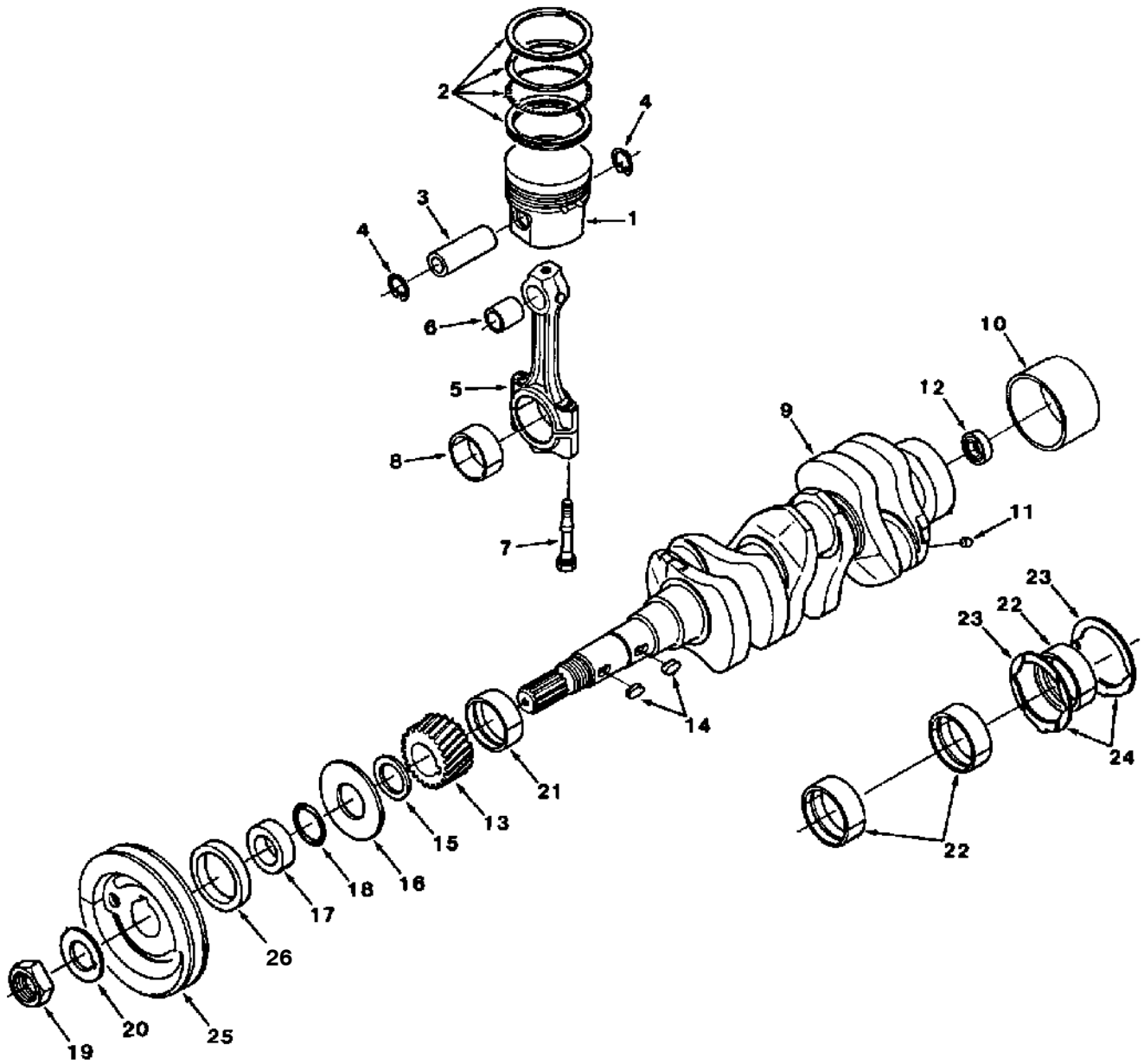


Fig. 9 – Piston and Crankshaft Group

Fig. 9 – Piston and Crankshaft Group

Key	TENNANT Part No.	Kubota Part Number	Engine Serial Number	Description	Qty.
1		19274-2111-0	(000000-)	Piston	3
2		15521-2105-0	(000000-)	Ring Assembly, Piston	3
3		15521-2131-0	(000000-)	Pin, Piston	3
4		15221-2133-0	(000000-)	Cir-Clip, Piston Pin	6
5		15471-2201-0	(000000-)	Rod Assembly, Connecting	3
6	30088	15221-2198-0	(000000-)	Bushing, Piston Pin	3
7		15521-2214-0	(000000-)	Bolt, Connecting Rod	6
8		15471-2231-0	(000000-)	Bearing, Crank Pin	6
9		15595-2301-0	(000000-)	Crankshaft Assembly	1
10	12798	19202-2328-0	(000000-)	Sleeve, Crankshaft	1
11		15221-3363-0	(000000-)	Plug, Pin	3
12		08121-06002	(000000-)	Bearing, Ball	1
13		15521-2411-0	(000000-)	Gear, Crankshaft	1
14		05712-00720	(000000-)	Key, Feather	2
15		15221-2413-0	(000000-)	Collar, Crank Gear	1
16		15221-2331-0	(000000-)	Slinger, Oil	1
17	12797	19202-2325-0	(000000-)	Collar, Crankshaft	1
18		04811-10300	(000000-)	O-Ring	1
19		15221-2336-0	(000000-)	Nut, Crankshaft	1
20		15221-2338-0	(000000-)	Washer, Crankshaft	1
21		15221-2347-0	(000000-)	Bearing, Crankshaft	1
22		15221-2348-0	(000000-)	Bearing, Crankshaft	6
23		15521-2353-0	(000000-)	Bearing, Side	2
24		19202-2354-0	(000000-)	Bearing, Side	2
25		15321-7428-0	(000000-)	Sheave, Crankshaft	1
26	39131	09550-00001	(000000-)	Seal, Oil	1

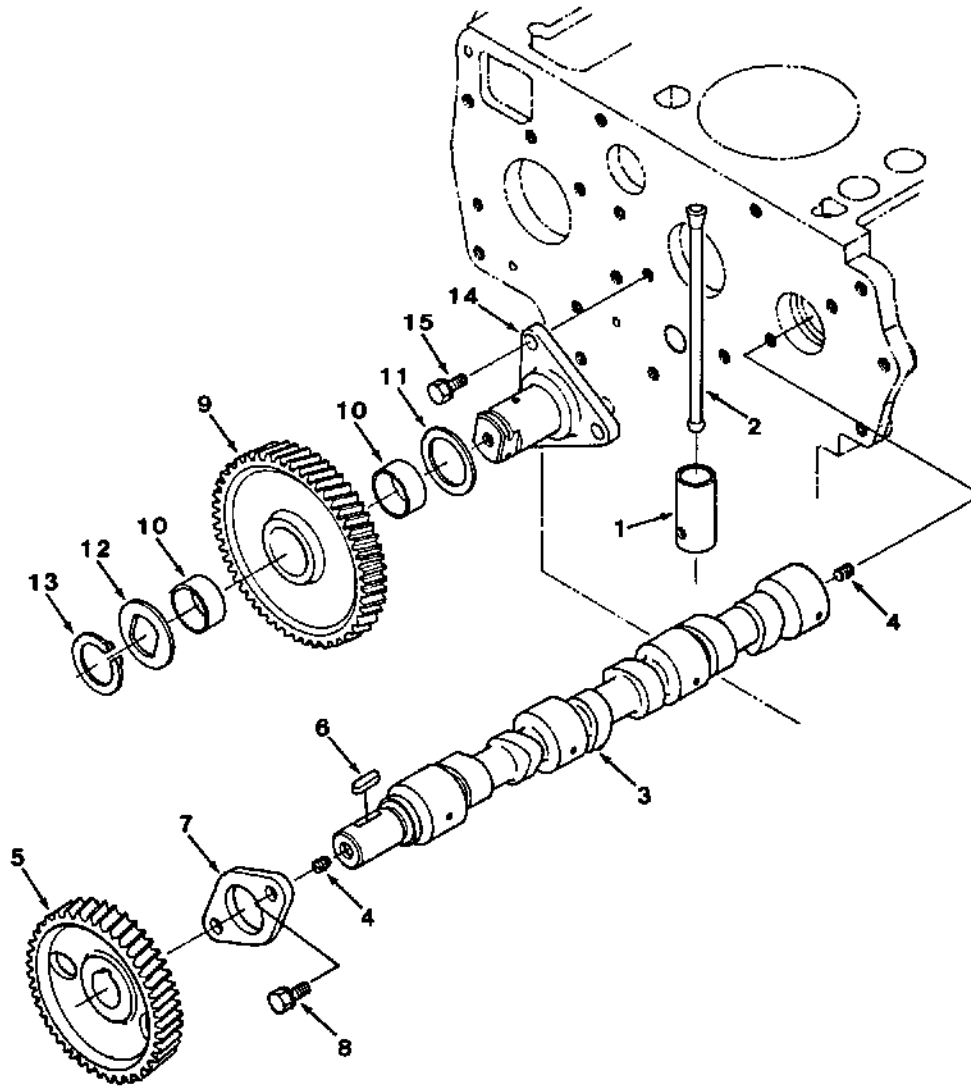


Fig. 10 – Camshaft Group

02692

Key	TENNANT® Part No.	Kubota Part Number	Engine Serial Number	Description	Qty.
1		15221-1555-0	(000000-)	Tappet	6
2		15221-1511-0	(000000-)	Rod, Push	6
		15521-1601-0	(000000-)	Camshaft Assembly	1
3		15521-1615-0	(000000-)	Camshaft	1
4		15521-9361-0	(000000-)	Screw, Set	2
5		15521-1651-0	(000000-)	Gear, Camshaft	1
6		05712-00720	(000000-)	Key, Feather	1
7		15221-1627-0	(000000-)	Stopper, Camshaft	1
8		01123-50818	(000000-)	Bolt	2
9		15221-2401-0	(000000-)	Gear Assembly, Idle	1
10		15221-2498-0	(000000-)	Bushing, Idle Gear	2
11		15521-2436-0	(000000-)	Collar	1
		15521-2437-0	(000000-)	Collar	1
12		15221-2432-0	(000000-)	Cir-Clip, External	1
13		15221-2432-0	(000000-)	Cir-Clip, External	1
14		15221-2425-0	(000000-)	Shaft, Idler Gear	1
15		01123-50818	(000000-)	Bolt	3

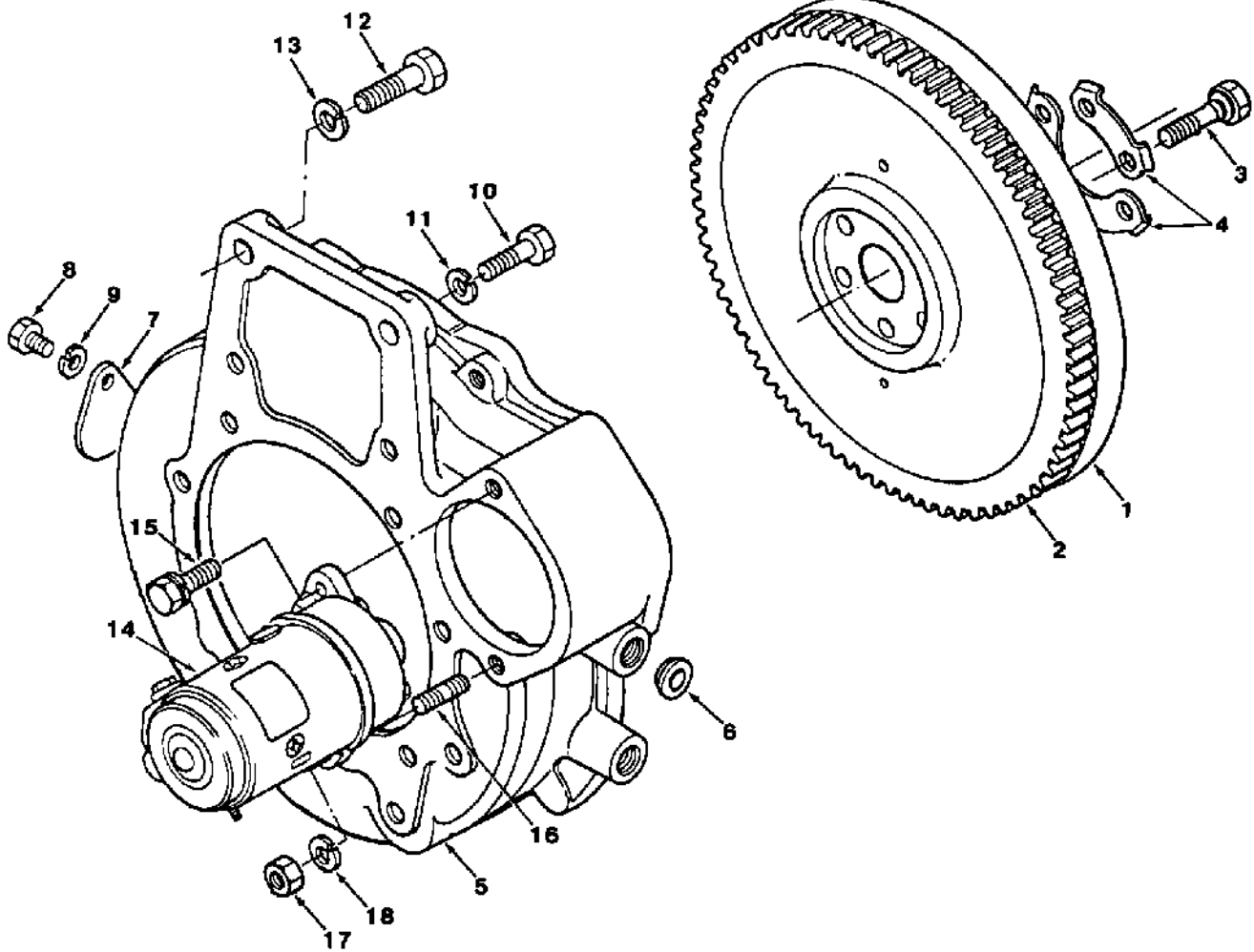


Fig. 11 – Flywheel Group

02694

Key	TENNANT Part No.	Kubota Part Number	Engine Serial Number	Description	Qty.
1		15331-2501-0	(000000-)	Flywheel Assembly	1
2		15221-6382-0	(000000-)	Gear, Ring	1
3		15321-2516-0	(000000-)	Bolt, Flywheel	6
4		15321-2517-0	(000000-)	Washer, Flywheel	3
5		15348-0460-0	(000000-)	Housing Assembly, Flywheel	1
6		31220-1429-0	(000000-)	Plug	4
7		31220-1417-0	(000000-)	Cover	1
8		01153-50812	(000000-)	Bolt	1
9		04512-50080	(000000-)	Washer, Spring	1
10		01073-51030	(000000-)	Bolt	11
11		04512-50100	(000000-)	Washer, Spring	11
12		01073-51240	(000000-)	Bolt	2
13		04512-50120	(000000-)	Washer, Spring	2
14	38957	15461-63011	(000000-)	Starter	1
15		01133-51030	(000000-)	Bolt	1
16		01517-51028	(000000-)	Stud	1
17		02176-50100	(000000-)	Nut	1
18		04512-50100	(000000-)	Washer, Spring	1

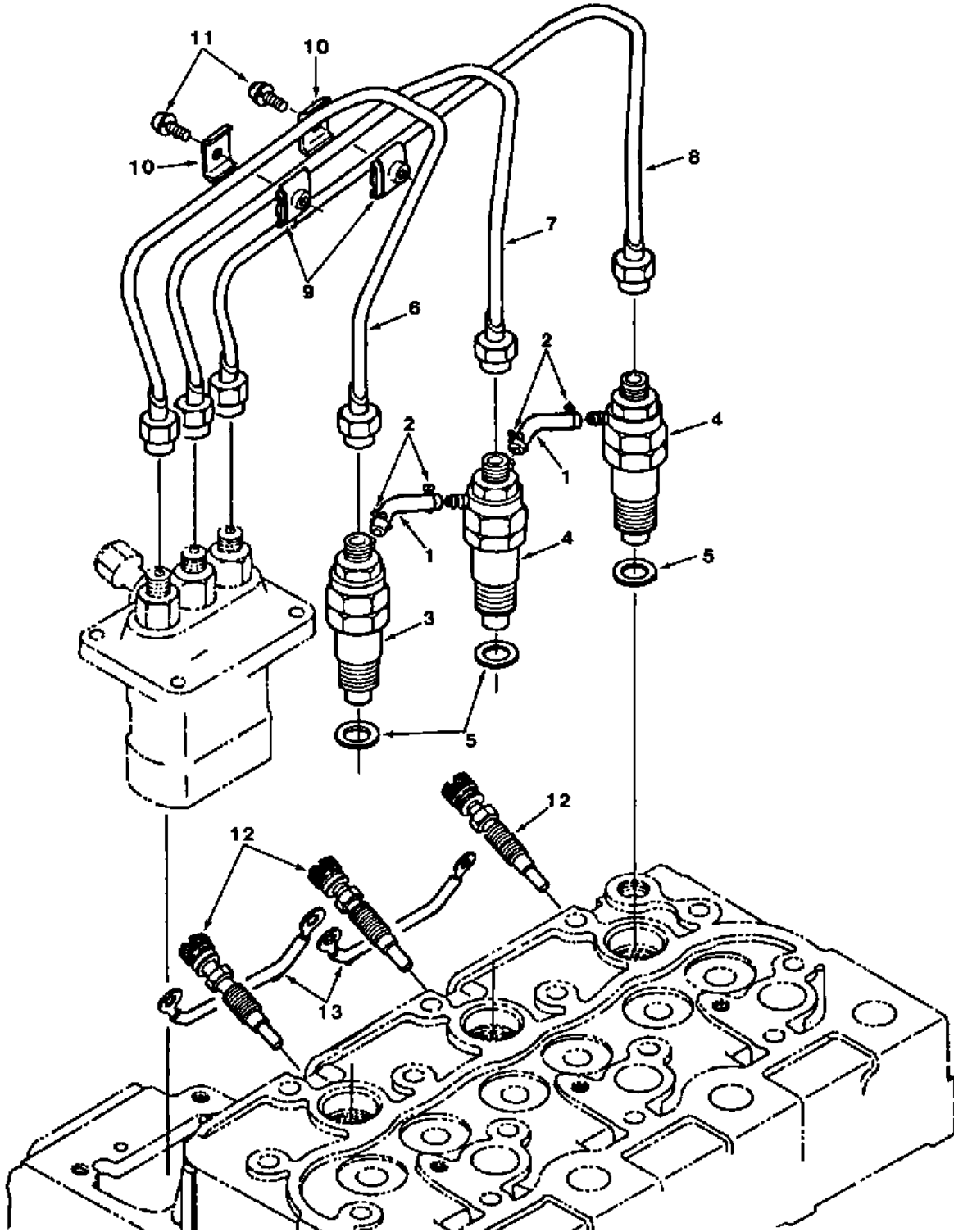


Fig. 12 – Nozzle Group

Fig. 12 -- Nozzle Group

Key	TENNANT® Part No.	Kubota Part Number	Engine Serial Number	Description	Qty.
1		15221-4251-0	(000000-)	Pipe, Fuel Over Flow	2
2		14971-4275-0	(000000-)	Clip, Pipe	4
3		15271-5300-0	(000000-)	Holder Assembly, Nozzle	1
4		15271-5302-0	(000000-)	Holder Assembly, Nozzle	2
5		17011-5362-0	(000000-)	Gasket	3
6		15221-5371-0	(000000-)	Pipe, Injection	1
7		15221-5372-0	(000000-)	Pipe, Injection	1
8		15321-5373-0	(000000-)	Pipe, Injection	1
9		15121-5385-0	(000000-)	Clamp, Pipe	2
10		15121-5386-0	(000000-)	Clamp, Pipe	2
11		03024-50520	(000000-)	Screw	2
12		15521-6551-0	(000000-)	Glow Plug	3
13		15401-6556-0	(000000-)	Cord, Glow Plug	2

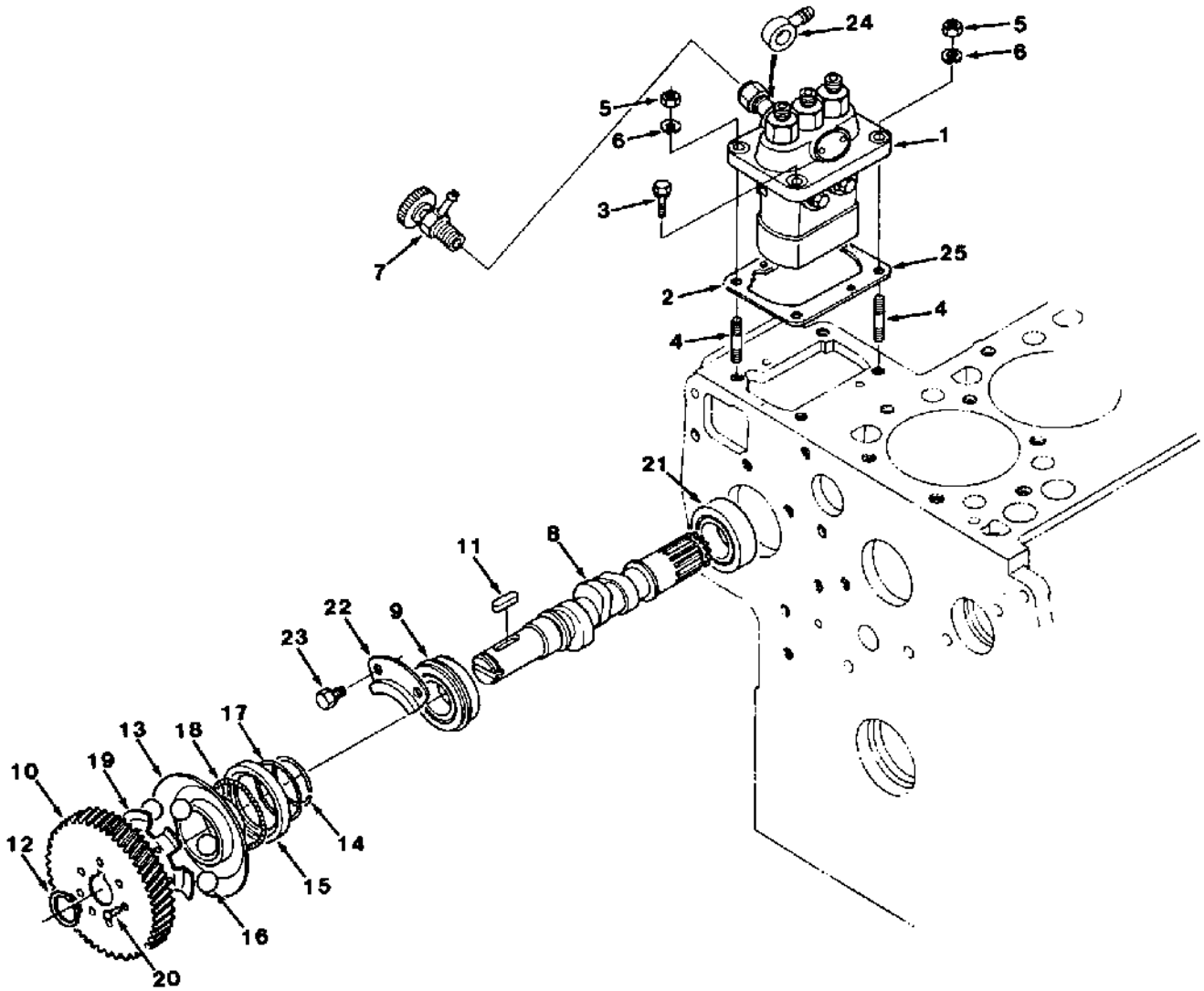


Fig. 13 – Fuel Camshaft Group

Fig. 13 – Fuel Camshaft Group

Key	TENNANT® Part No.	Kubota Part Number	Engine Serial Number	Description	Qty.
1		15521-5101-0	(000000-)	Pump Assembly, Injection	1
2		15321-5211-0	(000000-)	Shim, Injection Pump	As Req.
3		01123-50822	(000000-)	Bolt	2
4		01513-50822	(000000-)	Stud	2
5		02156-50080	(000000-)	Nut	2
6		04512-50080	(000000-)	Washer, Spring	2
7		14311-6050-4	(000000-)	Cock Assembly, Jet-Start	1
		15521-1602-0	(000000-)	Camshaft Assembly, Fuel	1
8		15521-1617-0	(000000-)	Camshaft, Fuel	1
9		08153-06205	(000000-)	Bearing, Ball	1
10		15401-5115-0	(000000-)	Gear, Injection Pump	1
11		05712-00525	(000000-)	Key, Feather	1
12		04612-00240	(000000-)	Cir-Clip, External	1
13		15221-5545-0	(000000-)	Sleeve, Governor	1
14		15221-5547-0	(000000-)	Cir-Clip, Sleeve	1
15		15221-5569-0	(000000-)	Case, Governor Ball	1
16		07715-03205	(000000-)	Ball	39
17		15221-5574-0	(000000-)	Cir-Clip, Ball Case	1
18		07715-00805	(000000-)	Ball	7
19		15521-5565-0	(000000-)	Guide, Governor Ball	1
20		05611-10310	(000000-)	Rivet	7
21		08103-06205	(000000-)	Bearing, Ball	1
22		15221-1632-0	(000000-)	Stopper, Fuel Camshaft	1
23		01123-50814	(000000-)	Bolt	2
24		14111-4241-0	(000000-)	Connector	1
25		15521-5211-0	(000000-)	Shim	As Req.

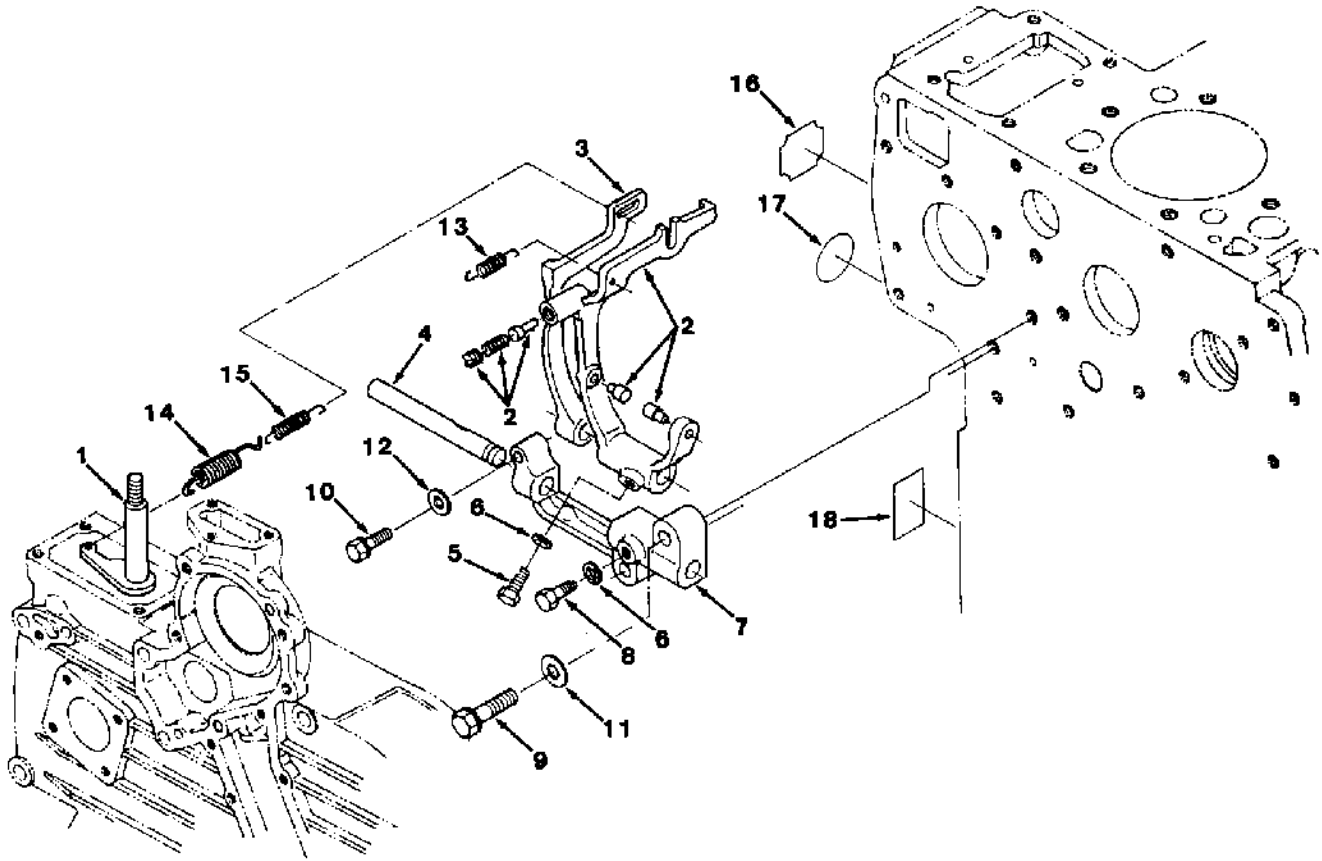


Fig. 14 – Governor Group

02697

Key	TENNANT® Part No.	Kubota Part Number	Engine Serial Number	Description	Qty.
1		15601-5602-0	(000000-)	Lever Assembly, Governor	1
		15521-5605-0	(000000-)	Lever Assembly, Fork	1
2		15521-5604-0	(000000-)	Lever Assembly, Fork	1
3		15611-5613-0	(000000-)	Lever, Fork	1
4		15221-5615-0	(000000-)	Shaft, Fork Lever	1
5		15021-5624-0	(000000-)	Bolt, Lever Shaft	1
6		04512-50060	(000000-)	Washer, Spring	2
7		15221-5623-0	(000000-)	Holder, Fork Lever	1
8		15221-6641-0	(000000-)	Bolt	1
9		01123-50832	(000000-)	Bolt	2
10		01023-50628	(000000-)	Bolt	1
11		04012-50080	(000000-)	Washer, Spring	2
12		04012-50060	(000000-)	Washer, Spring	1
13		15601-5648-0	(000000-)	Spring, Start	1
14		15521-5641-0	(000000-)	Spring, Governor	1
15		15521-5642-0	(000000-)	Spring, Governor	1
16		15612-8721-0	(000000-)	Label, Caution	1
17		09999-00002	(000000-)	Label, Inspection	1
18		15103-9459-0	(000000-)	Label, Drain	1

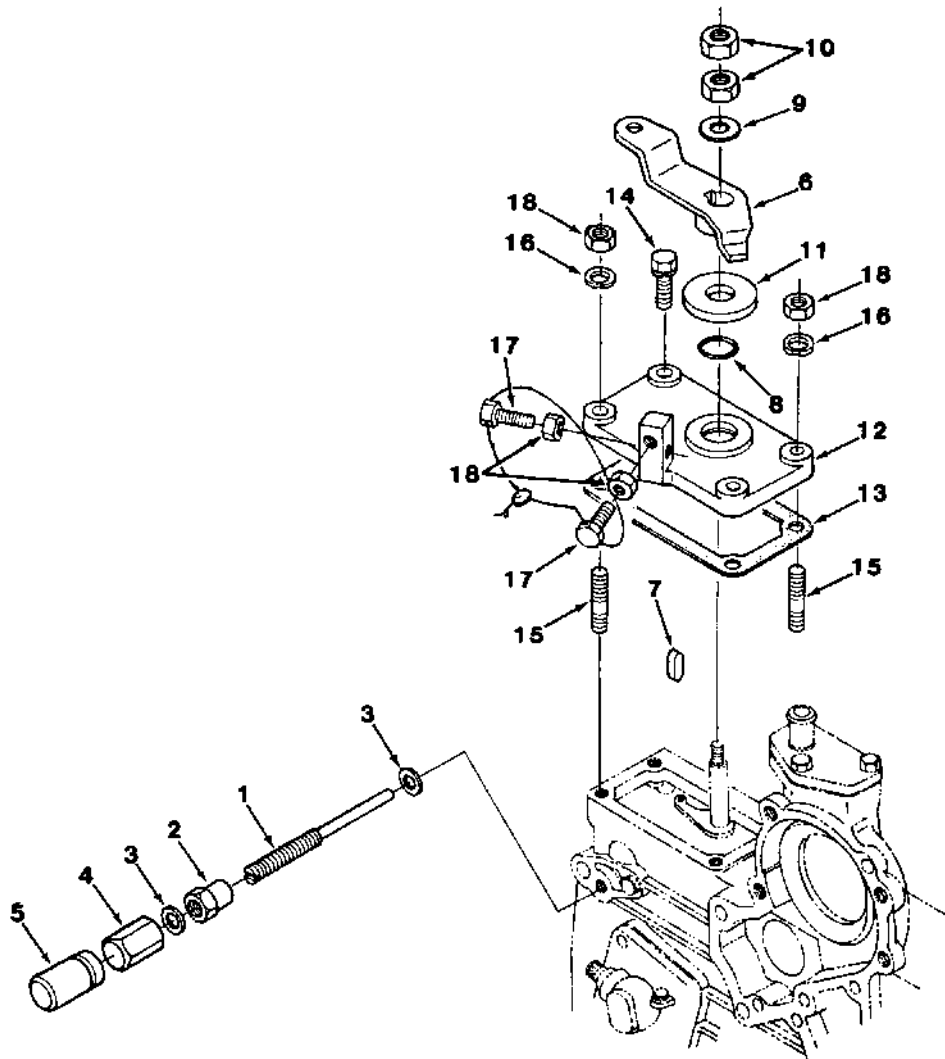


Fig. 15 – Speed Control Plate Group

02698

Key	TENNANT® Part No.	Kubota Part Number	Engine Serial Number	Description	Qty.
1		15601-5412-0	(000000-)	Bolt, Adjusting	1
2		15601-9201-0	(000000-)	Nut	1
3		15601-9665-0	(000000-)	Gasket	2
4		15601-5422-0	(000000-)	Nut, Cap	1
5		15601-5442-0	(000000-)	Cap	1
6		15469-5715-0	(000000-)	Lever, Speed Control	1
7		05712-00408	(000000-)	Key, Feather	1
8		04811-00120	(000000-)	O-Ring	1
9		04013-50080	(000000-)	Washer, Plain	1
10		02112-50080	(000000-)	Nut	2
11		17011-5738-0	(000000-)	Plate, Friction	1
12		15521-5711-0	(000000-)	Plate, Speed Control	1
13		15221-5721-0	(000000-)	Gasket, Control Plate	1
14		01023-50620	(000000-)	Bolt	2
15		15221-8821-0	(000000-)	Stud	2
16		04512-50060	(000000-)	Washer, Spring	2
17		15108-5728-0	(000000-)	Stopper	2
18		02056-50060	(000000-)	Nut	4

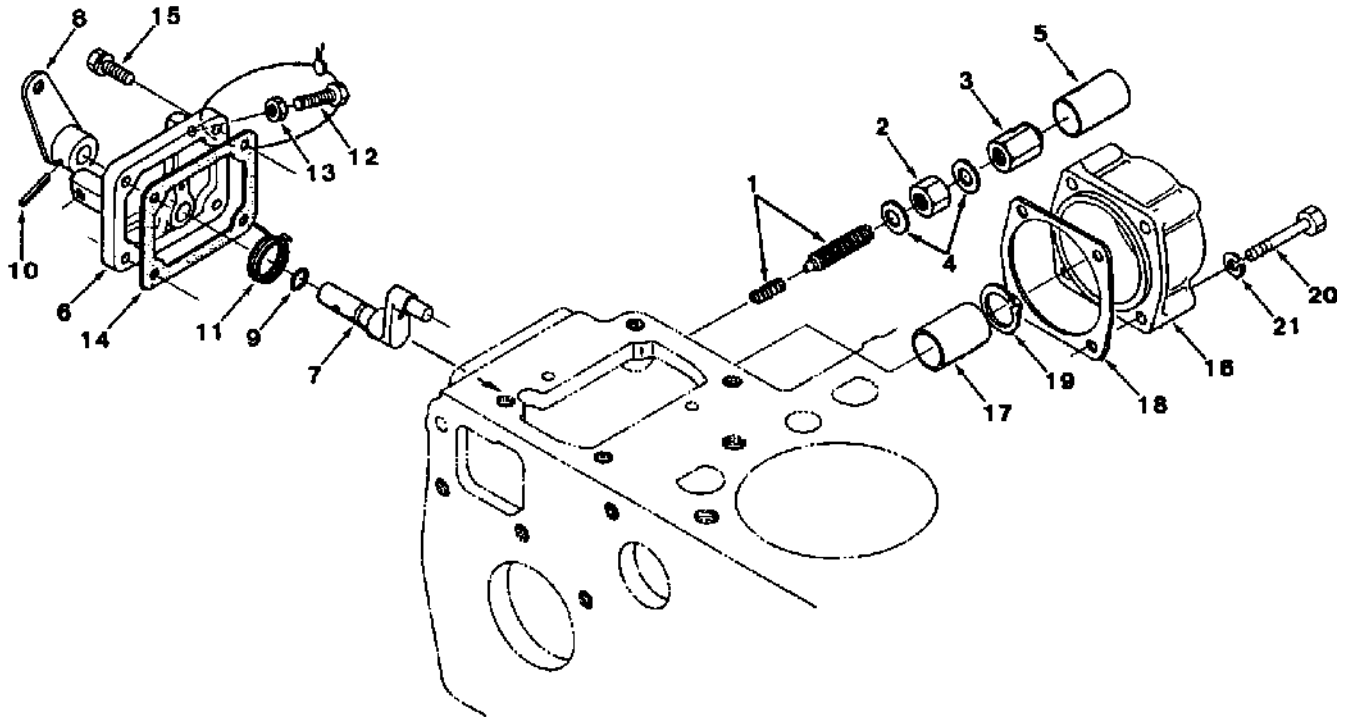


Fig. 16 – Stop Lever Group

02699

Key	TENNANT® Part No.	Kubota Part Number	Engine Serial Number	Description	Qty.
		15521-5409-0	(000000-)	Apparatus Assembly, Idle	1
1		15521-5410-0	(000000-)	Bolt Assembly, Adjusting	1
2		15401-9201-0	(000000-)	Nut	1
3		15521-9233-0	(000000-)	Nut, Cap	1
4		15021-3366-0	(000000-)	Gasket	2
5		15521-5427-0	(000000-)	Cap	1
		15521-5770-0	(000000-)	Lever Assembly, Engine Stop	1
6		15521-5165-0	(000000-)	Cover, Injection Pump	1
7		15611-5774-0	(000000-)	Shaft, Lever	1
8		15611-5772-0	(000000-)	Lever, Engine Stop	1
9		04811-10070	(000000-)	O-Ring	1
10		05411-00420	(000000-)	Pin, Spring	1
11		15611-5751-0	(000000-)	Spring	1
12		15108-5728-0	(000000-)	Stopper	1
13		02056-50060	(000000-)	Nut	1
14		15221-5166-0	(000000-)	Gasket, Pump Cover	1
15		01023-50618	(000000-)	Bolt	4
16		15225-1621-0	(000000-)	Cover, Fuel Camshaft	1
17		15225-1619-0	(000000-)	Collar	1
18		34150-3786-0	(000000-)	Packing	1
19		04612-00250	(000000-)	Cir-Clip, External	1
20		01153-50865	(000000-)	Bolt	4
21		04512-50080	(000000-)	Washer, Spring	4

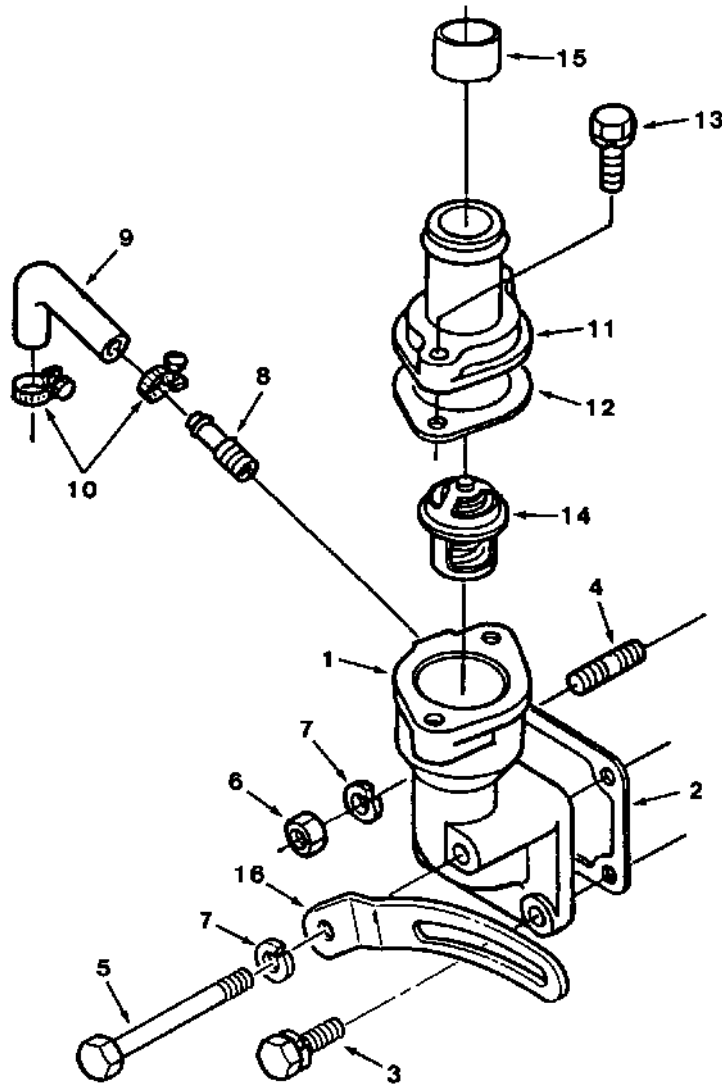


Fig. 17 – Thermostat Group

02700

Key	TENNANT Part No.	Kubota Part Number	Engine Serial Number	Description	Qty.
1		15521-7291-0	(000000-)	Flange, Water	1
2		15521-7292-0	(000000-)	Gasket, Water Flange	1
3		01123-50822	(000000-)	Bolt	2
4		01513-50822	(000000-)	Stud	1
5		01153-50870	(000000-)	Bolt	1
6		02156-50080	(000000-)	Nut	1
7		04512-50080	(000000-)	Washer, Spring	2
8	40081	15321-7334-0	(000000-)	Pipe, Water Return	1
9	12795	15521-7334-0	(000000-)	Pipe, Water Return	1
10		15109-7336-0	(000000-)	Band, Pipe	2
11		15321-7326-0	(000000-)	Cover, Thermostat	1
12	10851	15321-7327-0	(000000-)	Gasket, Thermostat Cover	1
13		01123-50835	(000000-)	Bolt	2
14		15321-7301-0	(000000-)	Thermostat Assembly	1
15		15000-3618-0	(000000-)	Cap	2
16	03254	15321-6442-0	(000000-)	Adjustment, Arm	1

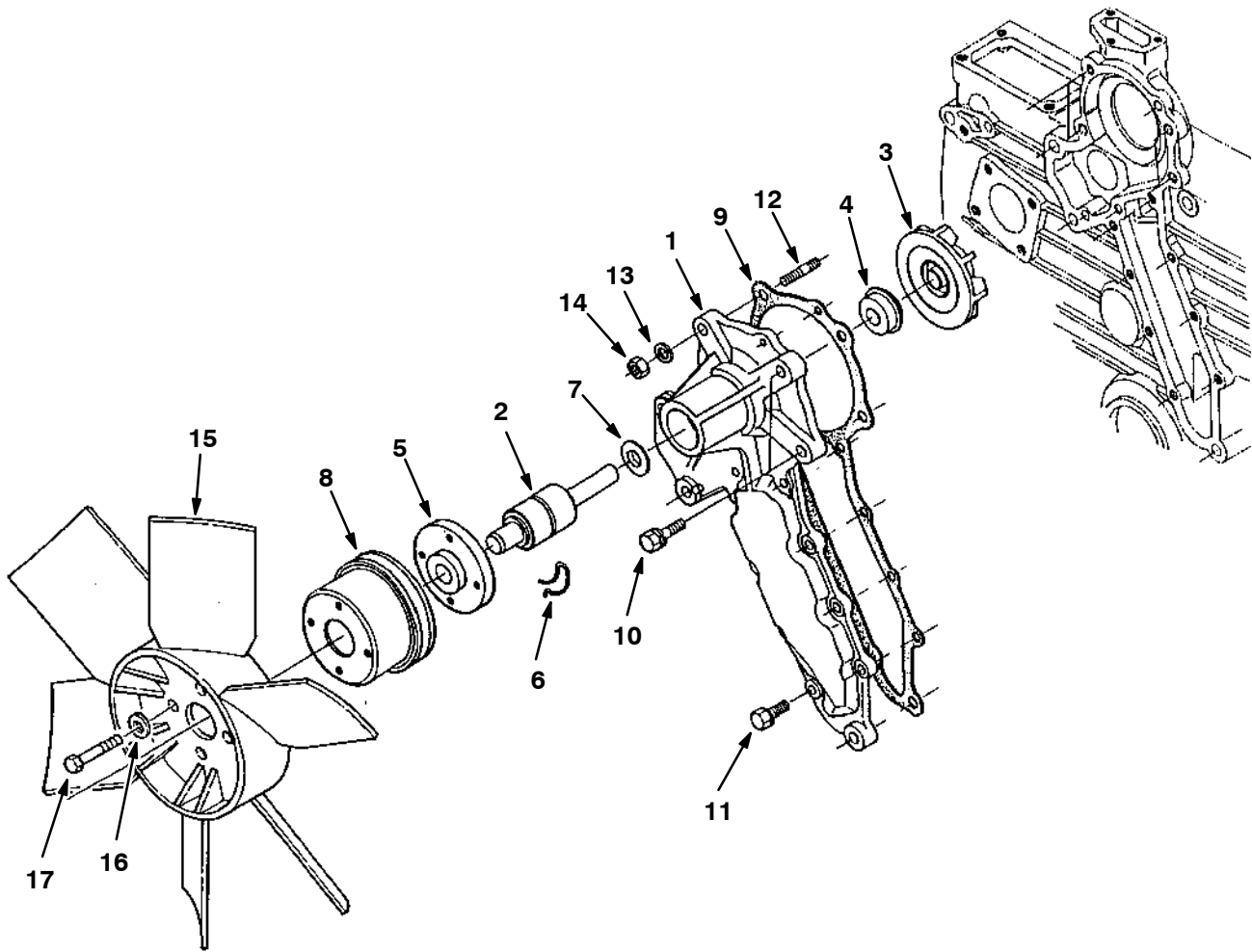


Fig. 18 – Water Pump Group

05176

Key	TENNANT Part No.	Kubota Part Number	Engine Serial Number	Description	Qty.
1		15521-7303-0	(000000-)	Pump Assembly, Water	1
2		15521-7355-0	(000000-)	Bearing	1
3		15321-7351-0	(000000-)	Impeller, Water Pump	1
4		15121-7305-0	(000000-)	Set Seal	1
5		15521-7352-0	(000000-)	Flange, Water Pump Shaft	1
6		15521-9481-0	(000000-)	Pin, Snap	1
7		15121-7362-0	(000000-)	Slinger	1
8		15521-7425-0	(000000-)	Pulley, Fan	1
9		15521-7343-0	(000000-)	Gasket, Water Pump	1
10		01123-50828	(000000-)	Bolt	2
11		01023-50618	(000000-)	Bolt	8
12		01518-50822	(000000-)	Stud	2
13		04512-50080	(000000-)	Washer, Spring	2
14		02156-50080	(000000-)	Nut	2
15	82537		(000000-)	Fan	1
16	07799		(000000-)	Washer	4
17	06943		(000000-)	Screw, Hex, M6	4

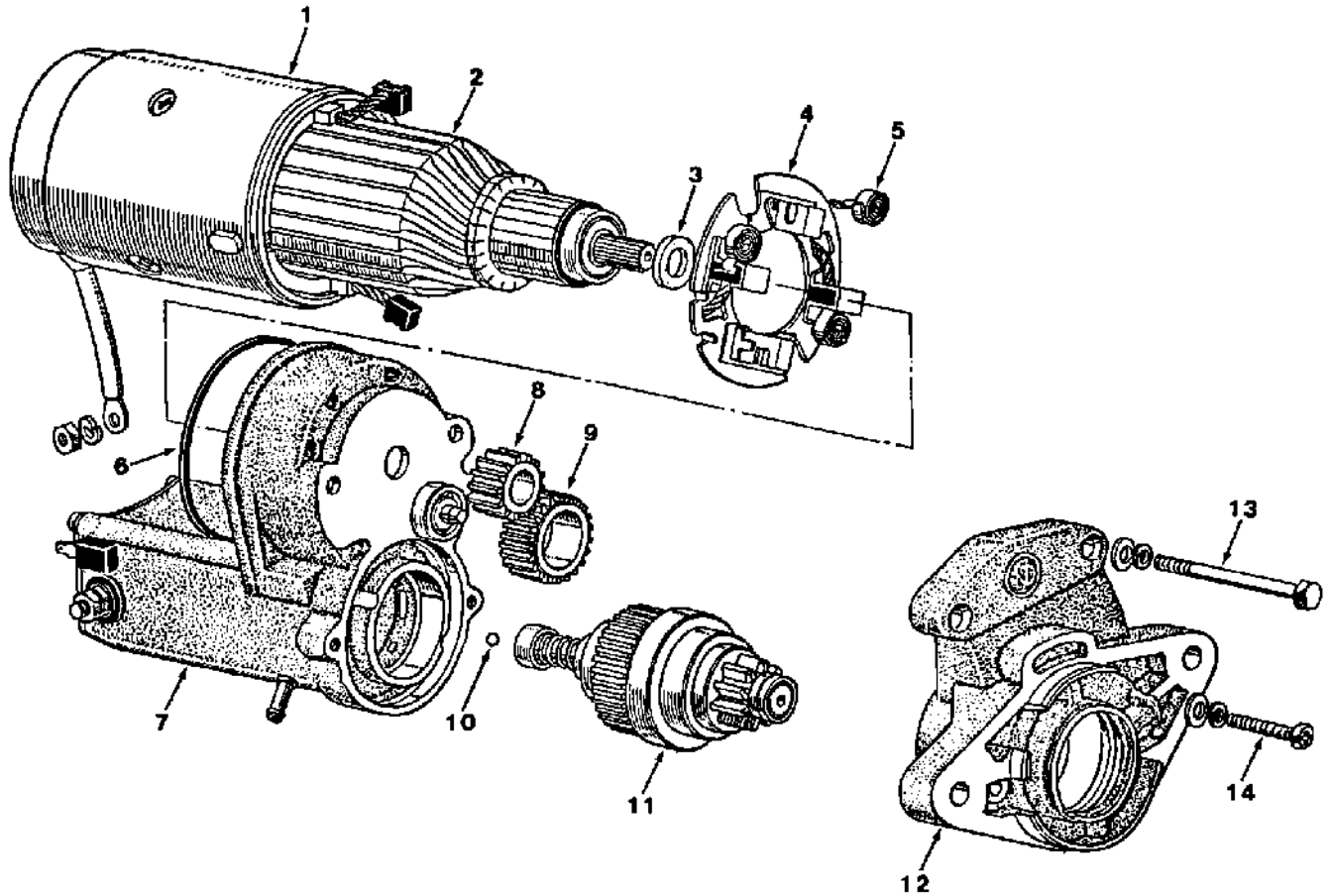


Fig. 19 – Starter Breakdown

02702

Key	TENNANT Part No.	Kubota Part Number	Engine Serial Number	Description	Qty.
	38957	15461-630 11	(000000-)	Starter	1
1		15401-6308-0	(000000-)	Yoke	1
2		19212-6307-0	(000000-)	Armature	1
3		19212-9667-0	(000000-)	Gasket	1
4		15401-6338-0	(000000-)	Holder, Brush	1
5		15401-6339-0	(000000-)	Spring, Brush	4
6		15401-9666-0	(000000-)	Gasket	1
7		15521-6302-0	(000000-)	Switch, Magnet	1
8		15521-6326-0	(000000-)	Gear	1
9		15401-6327-0	(000000-)	Gear	1
10		15451-9713-0	(000000-)	Ball	1
11		15521-6304-0	(000000-)	Clutch	1
12		15521-6303-0	(000000-)	Frame, Drive End	1
13		15401-6332-0	(000000-)	Bolt, Through	2
14		15401-9331-0	(000000-)	Screw	2

SECTION 13

CONTENTS

	Page
PART NUMBER TO PAGE NUMBER CROSS REFERENCE LIST	13-3

PART NUMBER TO PAGE NUMBER CROSS REFERENCE LIST

Part Number	Page Number	Part Number	Page Number
A850X-6013-AA .	11-12, 11-18	DORY-6269-A ...	11-8
A85OX-6013-AA .	10-12, 10-20	DORY-6306-A ...	11-10
A85OX-6014-KNA	10-20	DORY-6549-B ..	11-8
AGRF-22	10-18	DORY-6587-A ...	11-8
C5TE-8575-B ...	10-16	DORY-6652-A ...	11-12
C6AH-12390-B ..	10-18	DORY-6666-A ...	11-12
D0RY-6253-A ...	10-8	DORY-6670-A ...	11-12
D0RY-6255-A ...	10-8	DORY-6674-A ...	11-12
D0RY-6258-A ...	10-8	DORY-6B316-A .	11-10
D0RY-6261-A ...	10-8	E0FZ-6730-B ...	10-12
D0RY-6261-B ...	10-8	E0FZ-6734-A ...	10-12
D0RY-6262-A ...	10-8	E4AF-12A648-AA	11-14
D0RY-6262-B ...	10-8	E600113-S72	10-15, 10-16, 11-16
D0RY-6268-A ...	10-8	E600115-S72	10-15
D0RY-6269-A ...	10-8	E600116-S72	10-8, 11-8
D0RY-6306-A ...	10-10	E600314-S72	10-8
D0RY-6549-B ...	10-8	E602165-S72	10-12, 11-12
D0RY-6587-A ...	10-8	E602166-S72	10-8, 11-8
D0RY-6652-A ...	10-12	E602167-S71	10-15
D0RY-6666-A ...	10-12	E602187-S82	10-10, 10-16, 11-10, 11-16
D0RY-6670-A ...	10-12	E602188-S72	10-12, 10-14
D0RY-6674-A ...	10-12	E602351-S72	10-8, 11-8
D0RY-6B316-A ..	10-10	E603166-S72	10-4
D1FZ-6026-E ...	10-8	E620433-S72 ...	10-14
D1FZ-6026-E ...	11-8	E630031-S101 ...	10-8, 11-8
D1FZ-6284-A ...	10-8, 11-8	E630152-S71	10-15, 11-15
D1FZ-6286-A ...	10-8, 11-8	E630173-S71	10-14
D1FZ-6345-A ...	10-6, 11-6	E630173-S71M ..	10-10, 10-12, 10-16, 11-10, 11-12, 11-16
D1FZ-6397-B ...	11-19	E800113-S72	11-15
D1FZ-6500-A ...	10-8	E800157-S72	11-14
D1FZ-6514-B ...	10-4	E800334-S76	10-10
D1FZ-6518-B ...	10-4	E800509-S72	11-8
D1FZ-6571-B ...	10-4, 11-4	E800512-S72	11-15
D1FZ-6608-B ...	10-12, 11-12	E800516-S72	11-4
D1FZ-6659-A ...	10-12	E800518-S72 ...	11-15
D1FZ-8255-B ...	10-16	E800519-S72 ...	11-12
D1RY-12143-A ..	10-18	E802166-S76	11-17
D2RY-6379-A ...	11-19	E802666-S72	11-6
D7RZ-6701-A ...	11-10	E804335-S201 ...	11-17
D8RZ-6020-A ...	10-15	E804627-S76	10-14
D8RZ-6026-A ...	10-6, 11-6	E830135-S76	10-10, 11-10
D8RZ-6026-B ...	10-4, 10-6, 11-4, 11-6	E840126-S	10-4, 11-4
D8RZ-6310-A ...	10-10, 11-10	E865648-S	11-17
D8RZ-6384-A ...	10-22	E890100-S	10-6, 11-6
D8RZ-6600-A ...	10-12, 11-12	E8JL-12A200-AC	11-17
D8RZ-6750-A ...	10-12	EOFZ-6730-B ...	11-12
D8RZ-6767-A ...	10-6, 11-6	EOFZ-6734-A ...	11-12
D8RZ-8501-A ...	10-16	FL-271	10-12
D8RZ-8507-A ...	10-16	MM161	5-10, 5-12
DORY-6253-A ...	11-8	RT-351	10-16, 11-16
DORY-6255-A ...	11-8	SK1444	5-4, 5-54, 5-60
DORY-6258-A ...	11-8	SK2561	9-12
DORY-6261-A ...	11-8	72EG-2A411-BA	10-14
DORY-6261-B ..	11-8	72HF-12106-AA .	10-18
DORY-6262-A ...	11-8	77BF-12273-AA .	10-18
DORY-6262-B ..	11-8	77BF-9K442-AA .	11-14
DORY-6268-A ...	11-8	77BM-6055-AA ..	10-6

CROSS REFERENCE

Part Number	Page Number	Part Number	Page Number
77BM-6059-AE ..	10-15	86BM-6102-BC .	10-10
77BM-6065-AA ..	10-4	86BM-6102-CC .	10-10
77BM-6214-AA ..	10-10	86BM-6200-AA ..	10-10, 11-10
77BM-6256-AA ..	10-8, 11-8	86BM-6250-BA .	10-8
77BM-6333-BAA	10-10	86BM-6303-AA ..	10-10
77BM-6333-BBA	10-10	86BM-6344-AA ..	10-10
77BM-6333-BCA	10-10	86BM-6513-AA ..	10-4
77BM-6333-BDA	10-10	86BM-6565-AC .	10-8
77BM-6333-BEA	10-10	86BM-6617-AA ..	11-12
77BM-6333-BFA	10-10	86BM-6675-AA ..	10-12, 11-12
77BM-6333-BGA	10-10	86BM-6K318-AA	10-10, 11-10
77BM-6333-BHA	10-10	87YF-12405-AA .	11-17
77BM-6333-BJA	10-10	88BX-6008-BA ..	11-18
77BM-6505-DB .	10-4	88BX-6014-BA ..	11-18
77BM-6529-AB .	10-8	88WM-6518-AA .	11-4
77BM-6531-BB .	10-8, 11-8	89BF-12024-AB .	11-17
77BM-6571-AB .	10-4	89BF-12283-AC .	11-17
77BM-6584-CA .	10-4, 11-4	89BF-12284-AC .	11-17
77BM-6598-AB .	10-8, 11-8	89BF-12286-AC .	11-17
77BM-6617-AD .	10-12	89BF-12287-AC .	11-17
77BM-6784-AC .	10-12	89BF-12297-AA .	11-17
77BM-6A341-AA	10-10	89BF-6C315-AA .	11-6
77BM-6A341-BA	10-10	89BF-9424-AD ..	11-14
77BM-6A557-BB	10-8, 11-8	89BM-6010-FA ..	11-6
77BM-6K255-AB	10-8, 11-8	89BM-6011-DA .	11-6
77BM-6K528-AB	10-8	89BM-6019-AA ..	11-15
77BM-9441-DA .	10-14	89BM-6020-AA ..	11-15
77BM-9448-EA ..	10-14	89BM-6049-DD .	11-4
80BM-6507-DC .	10-4	89BM-6051-C1C	11-4
80BM-6507-FC ..	10-4	89BM-6055-BA .	11-6
81SM-6211-AA ..	10-10	89BM-6056-A1F .	11-4
81SM-6211-BA ..	10-10	89BM-6057-A2E	11-4
81SM-6211-CA .	10-10	89BM-6065-DA .	11-4
81SM-6211-DA .	10-10	89BM-6102-DA .	11-10
81SM-6211-EA ..	10-10	89BM-6102-EA ..	11-10
81SM-6211-FA ..	10-10	89BM-6102-FA ..	11-10
83AM-6701-A1A	10-10	89BM-6214-CB .	11-10
83BM-6700-A3A	11-15	89BM-6251-AA ..	11-8
83BM-6700-A4A	10-10, 10-15, 11-10	89BM-6303-DA .	11-10
84BF-6K614-CA .	10-4	89BM-6312-AA ..	11-10
84BF-9430-BA ..	10-14	89BM-6333-AA ..	11-10
84BM-6148-DA .	10-10, 11-10	89BM-6333-BA .	11-10
84BM-6148-EA ..	10-10, 11-10	89BM-6333-CA .	11-10
84BM-6148-FA ..	10-10, 11-10	89BM-6333-DA .	11-10
84BM-6582-CA .	10-4	89BM-6333-EA ..	11-10
84FM-6375-AB ..	10-22	89BM-6333-FA ..	11-10
86BF-12100-FA .	10-18	89BM-6333-GA .	11-10
86BF-12283-AB .	10-18	89BM-6333-HA .	11-10
86BF-12284-AB .	10-18	89BM-6344-BA .	11-10
86BF-12286-AB .	10-18	89BM-6375-BA .	11-19
86BF-12287-AB .	10-18	89BM-6500-AA ..	11-8
86BF-12370-CA .	10-18	89BM-6505-BC .	11-4
86BF-12K062-AA	10-18	89BM-6505-CA .	11-4
86BF-9425-FB ..	10-14	89BM-6507-BA .	11-4
86BM-6010-CA .	10-6	89BM-6507-BC .	11-4
86BM-6011-AA ..	10-6	89BM-6513-AA ..	11-4
86BM-6049-CC .	10-4	89BM-6529-AB .	11-8
86BM-6051-B1A	10-4	89BM-6565-AA ..	11-8
86BM-6057-CA .	10-4	89BM-6582-AA ..	11-4
86BM-6102-AC .	10-10	89BM-6659-AA ..	11-12

CROSS REFERENCE

Part Number	Page Number	Part Number	Page Number
89BM-6750-AA ..	11-12	02176-50100	12-19
89BM-6784-AA ..	11-12	02247	5-48, 6-6
89BM-6A341-AA	11-10	02482	7-13
89BM-6A341-BA	11-10	02485	5-4, 5-8, 5-74
89BM-6A536-AA	11-4	02506-6	8-38
89BM-6K340-AA	11-10	02507	8-4
89BM-6K528-AB	11-8	02602	9-6
89BM-8501-BD ..	11-16	02606	9-17
89BM-8507-AA ..	11-16	02607	9-17
89BM-9441-AB ..	11-14	02609	9-17
89SM-6211-AA ..	11-10	02621	9-19
89SM-6211-BA ..	11-10	02630	9-13
89SM-6211-CA ..	11-10	02637	5-30
89SM-6211-DA ..	11-10	02640	5-30
89SM-6211-EA ..	11-10	02657	5-32
00500-15	9-8, 9-9, 9-10, 9-11, 9-14	02659	5-32
00500-5	5-62	02661	5-24
711F-6500-DA ..	10-8	02662	5-24, 8-18
771F-8250-BA ..	10-16	02663	5-6, 8-22
00926	5-68	02668	7-6
00927	5-32	02671	5-18
00966	9-12	02674	8-34
01023-50614	12-14	02675	5-40
01023-50618	12-26, 12-28	02676	5-40
01023-50620	12-8, 12-25	02677	7-10
01053	5-71	02683	5-40
01053-50648	12-4	02684	5-40
01073-51030	12-19	02685	5-40
01073-51240	12-19	02686	5-46
01123-50814	12-6, 12-22	02687	5-44, 7-16
01123-50816	12-7	02696	5-54, 5-56
01123-50818	12-18	02699	5-68
01123-50822	12-11, 12-22, 12-27	02701	5-66, 5-68
01123-50825	12-10	02702	5-66, 5-68
01123-50828	12-10, 12-28	02704	5-42, 9-4
01123-50835	12-27	02705	9-4
01123-50860	12-8	02706	9-4
01133-51025	12-6	02707	9-4
01133-51030	12-19	02708	9-4
01153-50812	12-19	02709	9-4
01153-50865	12-26	02710	9-4
01153-50870	12-8, 12-27	02711	9-4
01153-50880	12-8	02712	5-35
01153-50895	12-8	02716	7-10
01275	5-26	02722	5-34
01318	5-8, 8-6, 8-8	02724	5-34
01513-50822	12-22, 12-27	02728	5-20
01517-51028	12-19	02731	8-44
01518-50822	12-28	02738	5-48, 5-52
01622	8-24	02740	5-63, 5-64, 6-15
01666	9-15, 9-16	02741	5-63, 5-64, 6-15
01669	9-15, 9-16	02885	5-24
01673	9-16	02886	5-18
01681	7-5	02887	5-48, 5-50
01817	9-15	02892	5-18
01818	9-16	02912	8-26
02056-50060	12-8, 12-25, 12-26	02925	8-24
02112-50080	12-25	02942	8-18
02156-50080	12-7, 12-11, 12-12, 12-22, 12-27, 12-28	02943	5-8
		02944	5-8

CROSS REFERENCE

Part Number	Page Number	Part Number	Page Number
02945	8-4	03194	5-48
02960	6-4	03210	5-68
02961	6-4	03227	5-59
02962	8-26	03232	5-72
02963	6-4	03233	5-58, 5-62
02964	6-4	03234	8-4
02965	6-4	03235	8-4
02967	8-24	03237	8-4
02970	8-24	03238	8-4
02977	6-6	03240	5-72
02987	5-30	03242	8-4
02997	8-21	03243	8-4
02998	5-8	03247	8-4
02999	5-40	03251	5-10
03001	5-40	03252	5-72
03004	5-47	03253	8-4
03006	5-47	03254	12-27
03020	6-8	03255	8-4
03021	5-8	03280	8-4
03022	8-30	03281	8-4
03023	5-8	03282	8-4
03024	8-22	03410-00808	12-12
03024-50520	12-20	03467A	5-35
03026	6-8	04011-50180	12-8
03043	8-26	04012-50080	12-12
03044	6-8	04013-50080	12-25
03051	6-14	04078	5-58
03053	6-14	04140	5-59
03054	6-14	04175	8-18
03055	6-14	04200	5-4
03056	6-14	04201	5-4
03058	6-14	04414	5-68, 5-70
03067	6-14	04428A	8-20, 8-26
03068	6-14	04468	5-22, 9-18
03069	6-14	04471	7-8, 9-20
03070	6-14	04477	9-20
03071	6-14	04480	9-18
03072	6-14	04512-50060	12-4, 12-8, 12-14, 12-25
03073	8-24	04512-50080	12-7, 12-8, 12-11, 12-12, 12-19, 12-22, 12-26, 12-27, 12-28
03074	8-24	04512-50100	12-19
03091	5-26	04512-50120	12-19
03112	8-21	04612-00140	12-12
03114	8-21	04612-00240	12-22
03130	8-26	04612-00250	12-26
03139	8-21	04717-01600	12-7
03141	8-26	04733-3	7-5
03142	8-26	04811-00120	12-25
03152	5-48, 5-59	04811-00140	12-6
03154	5-68	04811-00150	12-8
03157	5-58	04811-00360	12-8
03158	5-58, 5-62	04811-06100	12-14
03160	5-68	04811-10070	12-26
03176	5-10	04811-10300	12-16
03177	5-10	04811-50300	12-14
03178	5-10	05012-00408	12-4
03179	5-68	05012-00609	12-4
03183	5-58	05012-00612	12-4, 12-8
03189	5-48	05012-01018	12-4
03192	5-70		
03193	5-68		

CROSS REFERENCE

Part Number	Page Number	Part Number	Page Number
05411-00420	12-26	07382	8-18
05611-10310	12-22	07384	8-18
05712-00408	12-25	07387	5-72
05712-00410	12-4	07421	8-4
05712-00525	12-22	07425	7-17
05712-00720	12-16	07437	8-26
05712-00720	12-18	07442	8-24
06279	8-18	07447	8-18
06311-75015	12-4	07448	8-18
06311-75045	12-4	07449	8-18
06442	5-26	07464	5-48
06474A	8-8	07469	8-18
06507	5-48, 5-52, 6-6	07477	8-18
06532	5-52, 5-60, 5-62	07478	8-18
06678	8-22	07480	5-8
06750	5-30, 5-42	07485	7-4
06868	6-6	07491	5-48
06869	6-6	07492	5-48
06870	6-6	07496	5-32
06871	6-6	07499	5-32
06907	6-6	07503	8-18
06913	6-8	07529	8-18
06943	12-28	07536	5-58, 6-4
06946	8-48	07539	5-52, 5-60
07009	5-48	07562	5-63, 5-64, 6-15
07026	8-22	07566	8-28
07027	8-10	07585	8-18
07030	5-8	07586	5-48
07037	8-8, 8-22	07597	5-59, 5-60
07051	5-4, 8-18	07598	5-59, 5-60
07063	8-18	07602	5-59, 5-60
07103	5-59	07640	5-4
07104	5-59	07642	5-36
07105	5-48, 5-59	07660	6-12
07113	5-58	07663	5-36
07128	5-58	07664	8-4, 8-12, 8-13
07132	5-68	07674	6-8
07188	5-68	07676	5-10
07189	5-58, 5-62	07684	5-4
07211	8-37	07685	5-4
07212	5-48	07700	5-48
07250	5-48, 5-52	07704	10-4
07251	5-48, 5-52	07705	5-4, 10-4, 11-4
07252	5-48, 5-52	07706	10-10
07253	5-58	07707	10-10, 11-10
07254	5-58, 5-62	07708	10-14
07255	5-58	07710	10-12, 11-12
07259	7-6	07712	10-16
07274	5-58	07713	10-16
07280	5-58	07714	10-14
07282	5-58	07715-00805	12-22
07296	6-4	07715-03205	12-22
07298	6-4	07715-03213	12-8
07299	6-4	07764	5-4, 10-18
07302	5-54	07770	10-18
07328	5-4, 5-48	07799	12-28
07329	5-48	07871	8-34
07341	5-48	07874	5-74
07351	8-18	07875	6-6
07362	5-63	07885	5-74

CROSS REFERENCE

Part Number	Page Number	Part Number	Page Number
08007	8-42, 8-43	10872	7-4
08008	8-42	10873	5-8
08013N	5-6	10874	5-54
08017	5-6, 8-42, 8-43	10877	5-36
08046	8-6	10880	5-38
08048	8-6	10885	6-13
08050	8-6	10889	5-36
08103-06205	12-22	10891	5-36
08107	5-26	11048	8-26
08121-06002	12-16	11398	8-22
08153-06205	12-22	11442-1	5-56, 5-60
08165	5-50	11442-3	8-24
08182	8-46	11516	8-8
08317	8-17	11531	5-10, 5-14, 6-8, 8-26
08708	8-48	11860	5-6
08873	6-6	11861	5-6
08892	5-24	11862	5-6
09342	5-8	11863	5-6
09550-00001	12-16	11864	5-6
09600N	5-6	11893	5-54, 5-56, 8-6, 8-8
09600P	5-6	11915	8-18
09758	5-26	11918	8-18
09832	5-14	11924	8-18
09893	5-48, 5-59	11925	8-18
10075	11-12	11938	8-18
10120	7-6	11939	8-18
10143	5-37	11951	8-18
10144	8-31	11952	5-4, 8-18
10403	10-16	11956	5-4, 8-18
10464	8-8, 8-22	11957	5-4, 8-18
10552	5-26, 6-4	11958	8-18
10632	8-46, 8-50	11959	8-18
10632-1	5-22	11961	8-18
10632-2	5-76, 8-4, 8-12, 8-13, 8-14, 8-15	11984	5-59
10632-3	8-48, 8-50	11989	5-10
10632-4	5-77, 7-6, 7-18, 8-24	12005	8-18
10632-11	5-50, 7-6	12008	8-18
10632-19	5-22	12039	8-4
10632-20	8-16	12046	8-24
10701	8-4	12047	8-24
10712K	5-6	12770	8-24
10790	10-12	12793	12-7
10791	10-12	12795	12-27
10792	10-4	12797	12-16
10795	10-4	12798	12-16
10802	10-18	12878	8-26
10803	10-18	12940	5-36
10804	10-18	12962	5-20
10805	10-18	13015	8-36
10806	11-12, 11-18	13016	8-36
10851	12-27	13105	5-24, 9-10
10859	5-38	13106	5-32, 9-8
10862	5-36	13151	5-32
10865	5-38	13248	5-14
10867	5-34	13352	8-34
10868	5-38	13534	5-32
10869	5-34	14111-4241-0	12-22
10870	5-34	14131	5-74, 6-6
10871	7-4	14138A	5-22
		14174	5-24, 5-33, 7-14

CROSS REFERENCE

Part Number	Page Number	Part Number	Page Number
14242	5-30, 7-8	15221-2401-0	12-18
14311-6050-4	12-22	15221-2413-0	12-16
14330	8-22	15221-2425-0	12-18
14331	8-22	15221-2432-0	12-18
14412-7311-0	12-4	15221-2498-0	12-18
14432	5-63, 5-64	15221-3314-0	12-14
14595-1	5-26, 5-48, 5-71, 6-9, 7-12, 8-18	15221-3361-0	12-4
14601	5-48, 5-52, 5-59, 6-9	15221-3363-0	12-16
14605	5-26, 5-44, 5-48, 5-71, 6-9, 7-16	15221-3365-0	12-4
14878	8-48	15221-3370-0	12-4
14895	7-12	15221-3375-0	12-6
14971-4275-0	12-20	15221-3515-0	12-4
15000-3608-0	12-7	15221-3567-0	12-4
15000-3618-0	12-27	15221-3568-0	12-4
15000-3624-0	12-11	15221-4251-0	12-20
15021-1424-0	12-12	15221-5166-0	12-26
15021-3366-0	12-4, 12-14, 12-26	15221-5371-0	12-20
15066	8-4	15221-5372-0	12-20
15108-5728-0	12-25, 12-26	15221-5545-0	12-22
15109-3366-0	12-6	15221-5547-0	12-22
15109-7336-0	12-27	15221-5569-0	12-22
15121	8-4	15221-5574-0	12-22
15121-5385-0	12-20	15221-5628-0	12-8
15121-5386-0	12-20	15221-5721-0	12-25
15121-7305-0	12-28	15221-6382-0	12-19
15121-7362-0	12-28	15221-6619-0	12-14
15201-9401-0	12-6	15221-6628-0	12-14
15221-0175-0	12-7	15221-6635-0	12-14
15221-0337-0	12-7	15221-6636-0	12-14
15221-0338-0	12-4	15221-6641-0	12-14
15221-0339-0	12-4	15221-6663-0	12-14
15221-0349-0	12-7	15221-6664-0	12-14
15221-0436-0	12-10	15221-8813-0	12-8
15221-0482-0	12-10	15221-8821-0	12-8, 12-25
15221-1311-0	12-12	15221-9153-0	12-11
15221-1312-0	12-12	15222-8821-0	12-7
15221-1315-0	12-12	15223-8334-0	12-8
15221-1324-0	12-12	15225-1619-0	12-26
15221-1328-0	12-12	15225-1621-0	12-26
15221-1333-0	12-12	15241-3695-0	12-8
15221-1336-0	12-12	15261-9601-0	12-7
15221-1358-0	12-7	15271-5300-0	12-20
15221-1418-0	12-12	15271-5302-0	12-20
15221-1431-0	12-12	15280-1	5-68
15221-1435-0	12-12	15280-3	5-66
15221-1442-0	12-12	15280-3	5-68
15221-1443-0	12-12	15291-0456-0	12-10
15221-1511-0	12-18	15291-7316-0	12-4
15221-1555-0	12-18	15321-1405-0	12-12
15221-1627-0	12-18	15321-2516-0	12-19
15221-1632-0	12-22	15321-2517-0	12-19
15221-2133-0	12-16	15321-3501-0	12-4
15221-2198-0	12-16	15321-5211-0	12-22
15221-2331-0	12-16	15321-5373-0	12-20
15221-2336-0	12-16	15321-6442-0	12-27
15221-2338-0	12-16	15321-7301-0	12-27
15221-2347-0	12-16	15321-7326-0	12-27
15221-2348-0	12-16	15321-7327-0	12-27
		15321-7334-0	12-27
		15321-7351-0	12-28

CROSS REFERENCE

Part Number	Page Number	Part Number	Page Number
15321-7428-0 ...	12-16	15521-3229-0 ...	12-8
15324-0161-3 ...	12-6	15521-3243-0 ...	12-8
15331-2501-0 ...	12-19	15521-3363-0 ...	12-8
15341-0162-0 ...	12-6	15521-3693-0 ...	12-8
15348-0460-0 ...	12-19	15521-5101-0 ...	12-22
15371-1237-0 ...	12-11	15521-5165-0 ...	12-26
15401-0558-0 ...	12-14	15521-5211-0 ...	12-22
15401-3211-0 ...	12-6	15521-5409-0 ...	12-26
15401-5115-0 ...	12-22	15521-5410-0 ...	12-26
15401-6308-0 ...	12-29	15521-5427-0 ...	12-26
15401-6327-0 ...	12-29	15521-5565-0 ...	12-22
15401-6332-0 ...	12-29	15521-5711-0 ...	12-25
15401-6338-0 ...	12-29	15521-5770-0 ...	12-26
15401-6339-0 ...	12-29	15521-6302-0 ...	12-29
15401-6556-0 ...	12-20	15521-6303-0 ...	12-29
15401-9201-0 ...	12-26	15521-6304-0 ...	12-29
15401-9331-0 ...	12-29	15521-6326-0 ...	12-29
15401-9666-0 ...	12-29	15521-6551-0 ...	12-20
15418-3641-1 ...	12-6	15521-6604-0 ...	12-14
15418-3642-1 ...	12-6	15521-7291-0 ...	12-27
15451-9233-0 ...	12-14	15521-7292-0 ...	12-27
15451-9713-0 ...	12-29	15521-7303-0 ...	12-28
15461-63011 ...	12-19, 12-29	15521-7332-0 ...	12-8
15469-5715-0 ...	12-25	15521-7333-0 ...	12-8
15471-2201-0 ...	12-16	15521-7334-0 ...	12-27
15471-2231-0 ...	12-16	15521-7343-0 ...	12-28
15501-1176-0 ...	12-11	15521-7352-0 ...	12-28
15521-0231-0 ...	12-4	15521-7355-0 ...	12-28
15521-0304-0 ...	12-7	15521-7425-0 ...	12-28
15521-0331-0 ...	12-7	15521-9101-0 ...	12-8
15521-0332-0 ...	12-7	15521-9102-0 ...	12-8
15521-0402-0 ...	12-8	15521-9149-0 ...	12-7
15521-0405-0 ...	12-10	15521-9150-0 ...	12-12
15521-0406-0 ...	12-10	15521-9233-0 ...	12-26
15521-0413-0 ...	12-8	15521-9331-0 ...	12-14
15521-0454-0 ...	12-10	15521-9361-0 ...	12-18
15521-0514-0 ...	12-14	15521-9401-0 ...	12-10
15521-0515-0 ...	12-14	15521-9402-0 ...	12-10
15521-0537-0 ...	12-14	15521-9481-0 ...	12-28
15521-0551-0 ...	12-14	15521-9602-0 ...	12-4
15521-0555-0 ...	12-14	15521-9603-0 ...	12-4
15521-0567-0 ...	12-14	15555	6-6
15521-1182-0 ...	12-11	15595-2301-0 ...	12-16
15521-1231-0 ...	12-11	15601-1356-0 ...	12-7
15521-1235-0 ...	12-11	15601-1403-0 ...	12-12
15521-1423-0 ...	12-12	15601-5412-0 ...	12-25
15521-1451-0 ...	12-14	15601-5422-0 ...	12-25
15521-1452-0 ...	12-14	15601-5442-0 ...	12-25
15521-1601-0 ...	12-18	15601-9201-0 ...	12-25
15521-1602-0 ...	12-22	15601-9665-0 ...	12-25
15521-1615-0 ...	12-18	15611-5751-0 ...	12-26
15521-1617-0 ...	12-22	15611-5772-0 ...	12-26
15521-1651-0 ...	12-18	15611-5774-0 ...	12-26
15521-2105-0 ...	12-16	16082	5-24
15521-2131-0 ...	12-16	16456	5-22
15521-2214-0 ...	12-16	16564	5-59, 6-6
15521-2353-0 ...	12-16	16694	9-10, 9-11
15521-2411-0 ...	12-16	16695	9-8, 9-9, 9-10, 9-11, 9-13, 9-14
15521-2436-0 ...	12-18	16735	5-50, 5-70
15521-2437-0 ...	12-18		

CROSS REFERENCE

Part Number	Page Number	Part Number	Page Number
16736	5-66, 5-68	23455-2	5-22
16738	5-48, 5-52	23484	5-26
16786	5-8	23498	5-35, 7-4
16931	5-48, 5-59, 5-62, 6-8, 6-10	23503A	5-24
17011-5362-0	12-20	23536	5-24
17011-5738-0	12-25	23542	5-35
17414	5-48, 5-50, 5-59, 6-6	23580-2	5-22
17759	5-58	23583-2A	5-22
18136	7-6	23683	5-66
19073	5-70	23693	5-72, 5-73
19171	5-52	23788	5-22, 7-8, 7-11, 7-12, 7-13
19202-0341-0	12-7	23788-1	7-5, 7-8, 7-12
19202-0345-0	12-7	23947	8-4
19202-0351-0	12-7	24012	5-72, 5-73
19202-0404-0	12-10	24012-1	5-73
19202-0446-0	12-10	24013	5-50
19202-0481-0	12-10	24047	5-54, 5-56
19202-2325-0	12-16	24096	5-18
19202-2328-0	12-16	24097	5-18
19202-2354-0	12-16	24145	8-29
19202-3566-0	12-4	24147	8-29
19205	5-4, 11-12	24149	8-29
19212-6307-0	12-29	24207	5-24
19212-9667-0	12-29	24259A	8-29
19231-8731-0	12-14	24339	5-30, 5-33, 8-22
19252	5-70	24507	8-41
19271-0101-0	12-4	24622	6-4
19271-8711-0	12-14	24704	8-8
19274-2111-0	12-16	24705	8-8
19531	5-70	24706	8-10
19636	5-40	24721	8-8
19689	5-50	24724	8-8
19760	5-56	24728	8-10
19827	5-76	24729	8-8
20021	5-26	24737	8-8
20050	5-32	24741	5-6, 8-8
20160	8-22, 8-26	24743	8-8, 8-22
20215	8-26	24767	8-10
20536-1	5-54, 5-56	24769	8-8
21097	8-6, 8-8	24776	8-8
22297	8-18	24787	8-8
22308	5-60	24928	8-40
22308-3	5-54, 5-56	24928-1	8-40
22383	5-48, 5-52	24976	5-63, 5-74, 6-6
23138	5-22, 7-8	24988	5-30
23145	7-8	24989	5-30
23191	5-24, 7-13, 8-8	24992	5-26
23272	5-26	25143	5-75
23275	5-4, 5-8	25146	5-8
23280-2	5-26	25162	5-75
23293	5-24	25197A	5-26
23294	5-24	25312	8-37
23306-1	5-24, 5-33	25314	5-43
23307-1	5-24, 5-33	25885	5-20
23315-2	5-28	25887	5-32
23382	5-4, 5-8, 7-4	26065	8-22, 8-26
23384-2	5-4, 5-8, 7-4	26156	5-24, 5-33, 5-44, 7-16, 8-22
23386	5-4, 5-8	26395	8-26
23452-2	5-22	26395-1	8-50
23454-2	5-22		

CROSS REFERENCE

Part Number	Page Number	Part Number	Page Number
26395-2	7-6, 8-32	30393	5-50
26496	5-54, 5-56	30400	5-36
26565	5-71, 8-26	30434	5-70
27048	5-54, 5-56, 5-59, 5-60	30451	5-52
27787	8-8, 9-14	30458	5-62
27796	8-22, 9-13	30468	5-50
27800	5-32, 9-9	30518	8-43
28387	7-5	30522	8-43
28653	8-53	30523	8-43
28654	8-53	30526	8-43
28663	8-48	31220-1417-0	12-19
28808	5-24, 9-11	31220-1429-0	12-19
28835	9-8, 9-9, 9-10, 9-11, 9-13, 9-14	31301	8-6
29233	5-10, 5-12	31302	8-6
29499	5-54, 5-56	31354	9-9, 9-11, 9-14
29557	8-18	31362	9-14
29585	5-6	31363	9-14
30013	5-44, 5-45	31374	9-9
30088	12-16	31375	9-9
30274	5-52	31380	9-9
30280	5-12	31381	9-11
30275	5-38	31383	9-9
30286	5-36	31486	5-64
30289	5-38	31490	5-14
30296	5-50	31491	5-70
30305	5-50	31511	5-64
30306	5-50	31515	5-64
30312	5-52, 5-60	31516	5-50
30316	5-50	31517	5-14
30318	5-52	31518	5-14
30320	5-52	31526	5-62
30321	5-52	31531	5-12
30322	5-60	31534	5-62
30324	5-52, 5-60	31541	5-14
30325	5-52	31542	5-52, 5-60
30326	5-60	31543	5-50, 5-60
30327	11-4	31550	5-52
30328	5-70	31646	8-22
30343	5-8	31648	5-12
30346	7-4	31712	5-35
30348	5-14	31728	5-52, 5-60
30350	5-73	31745	5-4
30351	5-73	31746	5-4
30354	5-14	31761	5-70
30361	5-56	31964	8-28
30362	5-35	31965	8-12, 8-13, 8-14, 8-15, 8-16, 8-17, 8-28
30363	5-66	31965	8-52
30365	5-66	31970	8-52
30366	6-4	31996	8-46
30367	5-16	31997	8-48
30368	5-12	31998	8-46
30375	5-56	31999	8-46
30377	5-50	32003	8-46
30383	8-18	32004	8-46
30384	8-18	32005	8-46
30386	8-18	32006	8-46
30387	5-60	32007	8-46
30390	5-26	32008	8-46
30391	5-16	32009	8-46

CROSS REFERENCE

Part Number	Page Number
32010	8-46
32011	8-50
32015	8-46
32022	8-48
32024	8-48
32025	8-48
32028	8-48
32045	8-44
32048	8-48
32049	8-48
32080	8-50
32081	8-48
32082	8-46
32086	8-46
32089	8-52
32090	8-52
32091	8-48
32107	8-44
32125	7-8
32126	8-22
32135	8-44
32137	8-44
32138	8-44
32139	8-48
32143	8-48
32145	8-46
32146	8-46
32148	8-44
32152	8-50
32162	8-8
32169	8-50
32180	8-6
32210-3479-0	12-11
32214	8-50
32219	8-50
32225	8-53
32228	8-46
32260	8-44
32261	8-44
32262	8-44
32263	8-44
32266	8-46
32269	8-44
32270	5-8
32273	8-46
32282	7-12
32287	8-46
32288	8-46
32981	8-44, 8-50
32983	8-44
32321	8-10
32397-1	5-4
32448	7-6
32449	8-26
32486	7-5
32492	5-58, 5-68, 5-70, 7-5
32494	8-10
32495	7-12
32550	5-40
32677	8-26

Part Number	Page Number
32683	8-26
32685	8-26
32759	7-16
32827	5-76
32885	5-8
32886	5-8
32941	5-22, 7-11
32942	5-22
32969	8-6
33329	5-72, 5-73
33330	5-72
33333	5-72, 5-73
33523	7-12
33541	7-8
33555	5-54, 5-60
33563	7-12
33565	7-12
33568	7-12
33579	9-7
33580	9-7
33671	5-37
33691	5-68
33692	5-68
33694	9-7
33760	5-8
33762	5-8
33763	7-12
33796	6-11
33797	5-47
33798	8-22
33806	8-4
33816	5-26
33862	8-8
34072	5-50
34150-3786-0	12-26
34172	9-14
34174	9-8, 9-10
34175	9-11
34176	9-8, 9-10, 9-11, 9-13
34177	9-8, 9-13
34196	5-8
34258	5-74
34292	5-8
34319	7-16, 9-16
34323	5-10, 5-12, 5-35
34356	8-22
34359	7-8
34410	7-8
34413	8-22
34414	5-47
34738	5-16, 5-18, 7-10, 8-44, 8-50
34805-S8	10-8, 10-12, 11-8, 11-12
34820	8-52
34868	5-77, 7-18
35515	7-11
35526	7-5
35527	7-12
35533	7-12
35540	7-5

CROSS REFERENCE

Part Number	Page Number	Part Number	Page Number
35561	7-8	36332	11-15
35586	5-44, 7-16	36333	11-15
35591	7-12	36337	11-15
35593	7-14	36338	11-15
35595	7-8	36339	11-15
35607	5-4, 7-6	36340	11-8
35614	7-8	36341	11-8
35615	7-8	36342	11-8
35618	5-28	36343	11-8
35620-1	7-8	36344	11-8
35621-1	7-8	36345	11-8
35630	7-8	36348	11-8
35631	7-8	36349	11-8
35631-1	7-8	36372	11-8
35636	7-8	36373	11-8, 11-12
35640	7-8	36374	11-8
35665	7-8	36375	11-8
35666	7-8	36381	11-8
35668	7-8	36382	11-8
35669	7-5	36383	11-8
35677	5-32	36384	11-8
35686	7-8	36389	11-8
35688	5-22, 7-8	36390	11-8
35973	5-32	36402	11-8
36077	8-18	36405	11-8
36253	11-18	36406	11-8
36254	11-18	36407	11-8
36257	11-10	36408	11-8
36258	11-15	36409	11-8
36259	11-10	36410	11-10
36262	11-10	36411	11-10
36263	11-6	36412	11-10
36264	11-6	36413	11-10
36265	11-4, 11-6	36414	11-10
36267	11-6	36415	11-10
36268	11-6	36416	11-10
36272	11-6	36418	11-10
36273	11-6	36419	11-10
36274	11-6	36421	11-10
36275	11-6	36422	11-10
36276	11-6	36423	11-10
36277	11-6	36424	11-10
36278	11-6	36429	11-10
36279	11-4	36430	11-10
36281	11-4	36431	11-10, 11-12, 11-16
36297	11-4	36432	11-10
36298	11-4	36433	11-10
36300	11-4	36445	11-10
36303	11-4	36450	11-10
36306	11-4	36451	11-10
36307	11-4	36452	11-10
36315	11-4	36453	11-10
36317	11-4	36454	11-10
36318	11-4	36463	11-10
36319	11-4	36467	11-10
36321	11-4	36469	11-10
36322	11-10	36483	11-10
36324	11-4	36493	11-10
36325	11-4	36590	11-10
36330	11-4	36591	11-19

CROSS REFERENCE

Part Number	Page Number	Part Number	Page Number
36630	11-19	37694	10-8, 11-8
36646	11-19	37695	10-4
36658	5-20	37756	9-7
36661	5-20	38034	10-14
36663	5-20, 7-12	38242	10-8, 11-8
36665	5-20	38245	5-4
36666	5-20	38645	9-13
36748	11-12	38957	12-19, 12-29
36764	11-12	39025	11-17
36765	11-12	39026	11-17
36776	11-12	39035	11-17
36780	11-12	39038	11-17
36867	11-12	39040	11-17
36881	11-12	39041	11-17
36904	11-12	39042	11-17
36923	11-12	39043	11-17
36924	11-12	39044	11-17
36958	7-13	39045	11-17
36972	7-12	39046	5-4, 11-17
36984	7-5	39047	11-15
36993	7-13	39131	12-16
36994	7-4	39210	5-44, 7-16
36996	7-8	39272	8-36
37014	7-8	39274	5-33
37015	7-8	39283	5-62, 5-72
37016	7-8	39284	5-48, 5-58, 5-64
37021	5-4, 7-6	39311	5-52, 5-60
37053	11-12	39319	5-20
37054	5-4, 7-5	39330	5-68
37055	5-4, 7-5	39336	8-26
37073	7-5	39349	5-50
37074	7-5	39457	5-71
37098	11-12	39527	5-32, 9-8, 9-9
37099	11-12	39780-1	5-77, 7-18
37127	11-12	39923	5-77, 7-18
37139	7-8	40081	12-27
37157	11-12	40585	5-74
37181	11-10, 11-16	40607	5-59, 5-77, 7-18
37188	11-16	40670	8-44
37189	11-16	40671	8-44
37193	11-16	40678	5-76, 8-24
37194	11-14	40727	5-32
37195	11-14	40755	5-45
37196	11-14	40758	8-8
37198	11-14	40823	5-48
37199	11-14	41128	5-10, 5-12
37306	10-8, 11-8	41177	8-8
37307	10-8, 11-8	41359	5-48
37312	10-10	41361	5-68, 5-70
37316	10-8, 11-8	41732	8-44
37317	10-8, 11-8	41984	11-4
37321	10-10, 11-10	42124	8-32
37327	10-16, 11-16	42196	6-9
37337	10-8, 11-8	42226	5-35, 5-45
37341	10-12	42260	5-10, 5-12, 5-42, 5-43
37403	10-12	43004	8-26
37457	9-4	43005	8-26
37616	9-7	43016	8-24
37617	9-8	43030	8-26
37693	10-8, 11-8	43039	8-24

CROSS REFERENCE

Part Number	Page Number
43056	8-24
43057	8-24
43086	8-22
43096	8-22
43116	8-22
43148	5-6, 8-22
43164	8-22
43170	8-26
43203	8-26
43204	8-20
43207	8-26
43242	8-24
43287	8-24
43290	8-20
43291	8-20
43294	8-20
43295	8-20
43299	8-20
43317	8-20
43346A	8-30
43363	8-26
43393	5-6
43417	5-6
43424	5-6
43428	5-6
43454	5-77, 7-18
43484	5-6
43485	5-6
43486	5-6
43487	5-6
43488	5-6
43489	5-6
43490	8-26
43491	8-22
43497	8-20
43499	8-20
43500	8-20
43502	8-22
43505	8-22
43516A	8-24
43549	8-20
43552	8-26
43553	8-20
43555	8-26
43592	5-6, 8-22, 8-28
43593	5-6
43609	8-26
43611	5-71
43614	8-26
43615	8-26
43616	8-26
43652	8-22
43653	8-22
43680	5-6
43708K	5-6
43708N	5-6
43708P	5-6
43844	5-10, 5-12, 5-48, 5-52, 6-6,6-8
44078	6-12

Part Number	Page Number
44166	8-32
44681	8-12, 8-14, 8-16
44681-1	8-12, 8-14, 8-16
44681-2	8-12, 8-14, 8-16
44868	7-16
44869	5-32, 5-35, 5-42, 5-47, 8-8, 8-22
44961	6-8, 8-46
45181	8-48
45481	8-24
45482	8-50
45484	8-24
45486	8-24
45487-1	8-24
45487-3	8-24
45487-4	8-24
45488	8-24
45528	8-24
45622	9-7
45623	9-7
45628	9-8, 9-9, 9-10, 9-11, 9-14
45779	8-12, 8-13, 8-14, 8-15, 8-16, 8-17
45780	5-76
45786	5-30
45857	5-4, 5-8
45975	6-13
46077	5-18
46080	5-4, 5-18
46132	5-22
46137	5-22
46147	5-22
46231	5-54, 5-56
46236	5-20, 5-48, 5-74, 6-6, 8-24, 8-26
46307	5-8
46311	5-28
46312	5-28
46313	5-28
46347	5-24
46390	8-8, 8-22
46442	8-22
46443	8-22
46481	5-46
46567	5-8, 8-8
46585	7-5
46595	5-18
46596	5-18
46605	8-22
46642-1	8-22
46642-2	8-22
46688	8-26
46820	8-46
46847	8-24
46938	8-37
47010-1	5-28
47010-2	5-28
47010-3	5-28
47010-4	5-28
47010-5	5-28

CROSS REFERENCE

Part Number	Page Number	Part Number	Page Number
47010-6	5-28	51176	5-58, 5-68, 5-70, 6-4
47010-7	5-28	51321-3	5-14)
47011	5-28	51322	5-10, 5-12
47037	5-4	51355	5-30
47178-11	5-54, 5-56	51391	5-33
47178-13	8-22	51449	5-28
47178-2	5-18	51452	5-33
47178-3	5-18	51545	5-26
47280	8-6	51560-3	5-63, 5-64
47475	8-26	51562	5-26
47477	8-6	51570	5-76
47501	5-6	51727	7-12, 8-18
47508	5-24, 5-44	51754	8-50
47525	8-11	51768A	7-4
47566	5-74, 6-6	51787	5-16
47591	5-20, 8-34	51805	5-48, 5-50, 6-4
47636	5-43	51839	5-59, 5-60
47692	5-16	51881	5-35
47713-1	8-6	52402	7-16
47713-2	8-6	52929	5-42, 5-43
47713-3	8-6	53052	5-4, 5-8
47714	8-6	53078	6-6
47715	8-6	53143	5-8
47719	5-30	53182	5-33
47752	5-42, 5-43	53298	5-4, 5-8
47795-1	8-18, 8-24	53351A	5-65, 5-66
47801	5-22, 5-30, 7-8	53352	5-65, 5-66
47974	8-26	53368	8-26
48050-1	5-28	53386	5-68
48060	5-4, 5-18	53400-1	5-54, 5-56
48062	5-24	53400-4	5-54, 5-56
48062-1	8-20	53461-1	5-4, 5-18
48252	8-4	53461-2	5-4, 5-18
48253	6-6	53462	5-18
48267	5-74, 6-6	53465-2	5-8
48663	5-30, 9-7	53481	5-28
48927	7-6	53489	5-4, 5-8
48928	7-6	53531-2	5-68
48930	7-5, 7-8	53640	5-30
48951-1	7-12, 7-13	53697	5-18, 8-34
48988	5-22, 7-8	53758	5-4, 7-6
49225	5-30	53816	8-41
49263	5-59, 5-60, 8-18	53817	8-41
49266	5-52, 5-76, 8-4, 8-12, 8-13, 8-14, 8-15, 8-50	53818	5-30
49282	8-24	53819	5-30
49351-4	5-34	53819-1	5-30
49681	5-66, 5-68	53819-2	5-30
50332	5-52, 5-59	53848	8-11
50332-1	5-48	53876	5-33
50332-2	5-52	53899	7-14
50335	5-48	53906	5-4, 5-32
50446	5-4, 7-4	53907	7-14
50493	5-65, 5-66	53974	5-4, 5-8
50521	5-32	53985	5-32
50525	8-34	54009	8-32, 8-34
50590	8-34	54012	8-32, 8-34
50850	6-6	54121	5-20
50902	8-50	54159	5-28
51109	5-26	54230	5-48, 6-6
		54274	5-14, 5-35

CROSS REFERENCE

Part Number	Page Number
54275A	5-35
54333	5-50, 5-63, 5-64, 5-74, 8-24
54338-6	5-4, 7-4
54911-16	5-68, 5-70
54911-25	5-50, 10-16
54911-28	5-48
54911-31	5-48
54911-32	5-14
54912-8	5-48
54914	5-58, 5-62
54930	5-59, 5-60
54959	5-58, 5-62
55130	5-20
55150	5-78
55248	5-76, 8-4, 8-12, 8-13, 8-48
55272	5-76
55274	5-76
55321	8-4
55322	8-4
55346	8-4
55347	5-66, 5-68
55349	8-4
55368	8-4
55369	8-4
55393	8-4
55394	8-4
55395	8-4
55396	8-4
55398	8-4
55429	8-4
55431	8-4
55556	5-54, 5-56
55586	5-30, 5-32
55619	5-46
55633	5-54, 5-56
55653	5-54, 5-56
55662	7-13
55667	5-28
55686	5-42, 5-44, 7-16
55740	5-4, 5-46
55754	8-4
55756	8-4
55757	8-4
55758	8-4
55759	8-4
55761	8-4
55906	9-4
55922	9-4
55929	9-4
55930	9-4
55931	9-4
55932	9-4
55937	9-4
55939	9-4
55941	9-4
55975	5-59, 5-60
55998	5-59, 5-60
56058	5-26
56060	5-26

Part Number	Page Number
56090	8-24
56092	8-24
56119	8-24
56489	8-26
56690	5-43
56692	8-22
56701	8-50
56799	5-18
56855	5-66
56855	5-68
56976A	5-54, 5-56
57064	9-6
57186	9-17
57210	9-4
57220	8-12, 8-13, 8-14, 8-15
57283	9-13
57298	5-16
57392	5-48
57542	9-14
57548	10-16
57568	5-40
57582	5-40
57746	5-58
57751	5-16
57772	5-36
57773	5-68, 5-70
57774	5-48, 5-52
57778	5-37
57803	5-16
57807	5-36, 5-36, 8-12, 8-13, 8-14, 8-15, 8-16, 8-17, 8-28, 8-52
57875	5-66, 5-68
57925	5-30
57934	5-48, 5-52
57984	5-24, 5-44
57988	5-47, 7-16
57994	5-42
58120	5-4, 5-63, 5-64, 6-15
58121	5-4, 5-63, 5-64, 6-15
58122	5-4, 10-12
58279	8-18
58346	5-63, 5-64
58366	5-10, 5-12, 5-42, 5-45
58395	5-42
58476	5-20
58482	5-20
58483	5-20
58494	5-16
58507	10-18
58507	5-4
58518	8-13, 8-15, 8-17
58519	8-13, 8-15, 8-17
58520	8-13, 8-15, 8-17
58538	5-63, 5-64, 6-15
58555	5-58
58592	5-48, 5-50
58670	5-18
58846	5-52
58974	8-4

CROSS REFERENCE

Part Number	Page Number	Part Number	Page Number
59156	8-18	82062	8-14, 8-15
59984	5-38	82063	8-13, 8-15, 8-17
60013	5-4, 8-20	82064	8-14
61110	5-34, 5-36, 8-4	82066	8-12
62039	8-4	82068	8-16
62170-4	8-24	82070	8-15
62172	5-44, 5-45, 8-46	82072	8-13
62173	5-44, 5-45, 8-46	82074	8-17
62378	5-10	82079	8-8
62390	5-45	82081	8-8
62550	5-44, 9-15	82082	8-8
62595-11	5-78	82084	5-34
62595-2	5-78	82092	5-34
62615	5-34	82125	5-4
62797	6-4	82125	5-4, 5-8
63030	8-18	82135	5-24, 5-33
63147	8-18	82138	5-8, 7-4
63810	5-10, 5-50, 5-59, 5-60	82163	5-4, 5-8
64533	5-16	82164	5-4, 5-8
64595	5-16	82165	5-4, 5-8
64903	5-34	82168	7-5
64991	5-66, 5-68	82169	5-32
65084-1	5-47, 8-8, 8-22	82171	5-8
65084-2	5-47, 8-22	82176	5-8
65145-1	5-42	82180	5-54, 5-56
67004	8-21, 8-32, 8-34	82189	5-8, 7-12, 7-13
67555-S	10-18	82190	5-8
67815	5-71	82191	5-22
68000	5-71	82193	7-4
68106	5-48, 5-50, 5-54, 5-60, 5-74, 6-4, 8-18	82194	7-8
68275	5-10, 5-12	82195	8-39
68598	8-50	82196	8-39
68853	8-18	82200	8-12, 8-14, 8-16
69173	8-50	82201	5-28
69207	8-26	82205	5-42, 9-6
69266	5-71	82210	6-11
69459	8-18	82215	5-68
69462	5-14, 5-65, 5-66	82219	5-26
69494-2	6-9	82225	8-11
69582	5-26	82226	5-26
72025-S7	10-8, 11-8	82227	5-26
72432-S	10-12, 11-12	82229	5-28
75118	8-44	82230	5-26
75365	8-11	82232	5-26
75423	8-34	82234	5-16
76316	5-42, 5-43	82238	5-26
76589-2	5-50	82240	5-26
76736	5-68	82244	5-26
77006	5-47, 8-22	82245	8-11
77097	5-22, 5-35, 8-22	82254	5-26
77101	5-35, 9-12	82255	5-26
78122	5-56	82257	6-8
78143	5-46	82258	5-65, 5-66
79273-4	8-24	82260	5-66, 5-68
81458	5-36	82262	6-4
82046	5-40	82268	5-35
82049	5-4	82270	8-34
82054	5-4	82272	7-13
82059	5-4	82273	7-13
		82275	8-34

CROSS REFERENCE

Part Number	Page Number	Part Number	Page Number
82280	8-34	82439	8-32
82283	8-34	82451	7-10
82284	8-34	82452	5-20
82288	8-34	82452	7-10
82292	8-34	82453	5-20
82294	5-16	82455	5-20
82295	5-16	82457	5-20, 8-44
82296	8-32	82458	8-32
82297	8-32	82459	8-32
82299	5-36	82460	5-20
82300	5-10, 5-12	82461	5-20
82310	5-10, 5-12	82465	5-20
82311	5-10, 5-12	82466	5-4, 5-18
82313	5-10, 5-12	82467	5-18
82314	5-10, 5-12	82468	5-18
82315	5-10, 5-12, 8-32, 8-34	82469	5-18
82316	5-10	82471	5-20
82319	5-16	82472	5-20
82320	5-10	82475	5-20
82321	5-10, 5-12	82476	7-6
82324	5-16	82477	7-6
82333	9-6	82480	5-35
82334	5-16	82483	7-6
82338	5-16	82496	7-5
82340	5-54	82500	7-6
82343	5-10, 5-12	82501	7-6
82346	5-10, 5-12	82504	5-20
82348	5-16	82506	8-22
82350	5-16	82512	6-6
82351	5-16	82513	6-6
82352	5-16	82514	5-20
82353	5-34	82517	5-68, 5-70
82354	5-34	82519	5-68
82360	5-34	82520	5-68
82362	5-34	82524	5-74
82363	5-34	82525	5-4, 5-48, 5-52
82365	5-34	82526	5-48, 5-52
82368	5-35	82533	5-63, 5-64
82375	8-32	82534	5-48
82376	8-32	82537	5-58, 5-62, 12-28
82377	5-16	82544	5-48, 5-52
82378	5-16	82545	5-72, 5-73
82379	5-16	82552	5-63
82380	8-39	82555	5-63
82381	8-39	82557	6-4
82382	8-39	82563	6-9
82385	5-34	82564	6-9
82386	5-35	82565	6-4
82393	7-4	82566	6-4
82394	7-4	82567	6-4
82396	5-35	82572	6-4, 6-8
82414	8-32	82573	6-4, 6-6
82415	5-4, 5-20	82576	8-32
82416	5-4, 5-20	82579	6-4
82419	8-32	82590	8-26
82421	7-6	82595	5-76
82423	7-6	82596	6-8
82424	5-4, 5-35	82597	6-9
82425	7-4	82598	6-8
82437	8-32	82599	8-24

CROSS REFERENCE

Part Number	Page Number	Part Number	Page Number
82610	7-8	82799	5-4, 5-8
82611	7-8	82802	5-22
82620	5-47	82803	5-40
82621	5-47	82804	5-40
82628	6-10	82805	5-40
82629	6-10	82806	5-40
82637	5-76	82808	7-15
82648	8-22	82809	5-40
82650	6-6	82810	5-40
82652	8-38	82814	5-40
82653	6-8	82815	7-15
82661	5-10, 5-35, 5-35, 5-72, 5-73, 8-39	82816	7-15
82662	5-10	82817	7-15
82669	5-71	82819	5-40
82676	5-63, 5-64	82821	5-40
82677	5-71, 6-9	82822	5-40
82681	5-10	82823	5-40
82685	5-63, 5-64	82826	5-40
82686	6-6	82829	5-22, 5-24
82688	5-10, 5-14, 6-8	82830	5-40
82689	6-6	82833	5-40
82692	5-4, 6-6	82834	7-15
82693	5-4, 12-8	82836	5-65, 5-66
82694	5-10, 5-12, 6-8	82837	5-43
82696	6-8	82838	5-43
82697	5-4, 10-18	82839	5-65, 5-66
82699	5-10, 5-12	82840	5-40
82707	5-76	82842	5-42, 5-66, 5-68
82708	5-37	82887	8-24
82709	5-37	82888	8-26
82712	6-4	82891	8-26
82715	6-12	82893	8-22
82716	6-13	82907	8-4
82723	5-38	82914	8-4
82725	5-76	82917	8-4
82727	5-36	82918	5-47, 8-22
82729	5-74, 6-6	82921	8-4
82733	5-35	82922	8-36
82735	5-76	82924	8-41
82738	8-14, 8-15	82939	8-26
82739	5-77, 7-18	82941	5-71
82740	5-75	82949	8-24
82741	5-4	82957	8-26
82747	5-36	82958	8-26
82748	5-65, 5-66	82959	8-26
82754	5-45, 9-17	82964	8-26
82757	7-11, 9-19	82967	8-26
82762	5-44, 7-16	82978	8-32
82764	5-42	87056	8-44
82767	5-42	87298	8-44
82768	5-10	87579	5-18, 8-44
82776	7-4	87631	5-32
82779	5-43	87663	9-10
82780	5-43	87837-S	10-6, 10-14, 11-6
82784	5-43	87865	5-36
82793	5-65, 5-66	116106-ES10	10-8, 11-8
82795	5-45	116336-ES100	10-10, 11-10
82797	5-30	116682-ES	10-12, 11-12
82798	5-10, 5-12	118297-ES8	10-4, 11-4
		120907-ES8	10-14

CROSS REFERENCE

Part Number	Page Number
353055-S7	10-6, 11-6
377665-S7-8	10-14
388156-GS	10-22

SECTION 14

CONTENTS

	Page
TENNANT COMPANY LIMITED WARRANTY	14-3
TENNANT COMPANY, TENNANT COMPANY SUBSIDIARIES, AND MAJOR PARTS AND SERVICE LOCATIONS DIRECTORY	14-5

TENNANT COMPANY LIMITED WARRANTY

NEW MACHINES

Tennant Company warrants to the original purchaser for the period stated below that goods manufactured by it will be free from defects of workmanship and material, provided such goods are installed, operated, and maintained in accordance with Tennant Company's written manuals or other instructions. No warranty is made with respect to items supplied by Tennant Company on special order of purchaser. Tennant Company's sole obligation under this Warranty will be to repair and replace, at Tennant Company's option, parts that do not conform to this Warranty.

SIX-MONTH LABOR COVERAGE (U.S.A. AND CANADA ONLY)

For six (6) months in the U.S.A. or Canada, thirty (30) days elsewhere, from date of installation, Tennant Company will, at its option, provide labor for repair, pay for outside repair service, or pay the customer straight time in accordance with Tennant Company's flat rate schedule for particular warranty repairs. After six (6) months, Tennant Company's sole obligation shall be limited to the repair or replacement, at Tennant Company's option, of parts that do not conform to this Warranty according to the schedule below.

BATTERIES AND TIRES

Batteries and tires will be replaced if failure occurs due to defective material or workmanship within ninety (90) days from date of purchase. Thereafter, a pro rata adjustment from date of purchase to twelve (12) months will be made. The pro rata adjustment price of the replacement battery and/or tire will be the Tennant Company current price as of the adjustment request less 1/12th of that price for each month remaining in the twelve (12) month period. This Warranty applies only to batteries and tires purchased from Tennant Company and installed in vehicles used in normal service.

BRUSHES

Brushes that fail due to defective material or workmanship will be replaced on a pro rata basis within the first twelve (12) months of purchase. The replacement price will be calculated by multiplying the current Tennant Company price by the percentage of usable bristle remaining at the time of adjustment.

MACHINE WARRANTY PERIOD

Tennant Company warrants its equipment for a set number of months or for a set number of hours of use, whichever comes first. The warranty periods and hours of use vary depending upon the machine model. The warranty periods for Tennant Company's various machines are:

SCARIFIERS

Machine Model	Warranty Period	Machine Model	Warranty Period
G	12 months/500 hours	L2	12 months/500 hours
K4	12 months/500 hours	RS/TLR	12 months/500 hours
KDC	12 months/500 hours		

SCRUBBERS

Machine Model	Warranty Period	Machine Model	Warranty Period
465/480	24 months/750 hours	528	24 months/2000 hours
1465/1480	24 months/750 hours	530E	24 months/2000 hours (except Duramer™
510E	24 months/2000 hours		and recovery tanks 5 years/5000 hours)
solution	(except Duramer™ solution and recovery tanks, and optional Pre-Sweep™ hopper 5 years/5000 hours)	550	12 months/1500 hours
		550E	12 months/1500 hours

SWEEPERS

Machine Model	Warranty Period	Machine Model	Warranty Period
95 GR	24 months/2000 hours	235	24 months/1250 hours (except Duramer™
95	24 months/2000 hours		5 years/5000 hours)
hopper			
140/140E	12 months/500 hours		
186	18 months/500 hours	255 Series II	18 months/1500 hours
215	18 months/750 hours	275 Series II	24 months/2000 hours
242E	24 months/1750 hours	285	24 months/2000 hours
		365	24 months/2000 hours

RECONDITIONED MACHINES

Tennant Company warrants to the purchaser of reconditioned equipment, purchased from Tennant Company, for the period of ninety (90) days from the date of delivery that the purchased equipment will be free from defects of workmanship and material, provided such equipment is operated and maintained according to Tennant Company written manuals or instructions. Tennant Company's sole obligation under this Warranty will be to repair and replace, at Tennant Company's option, parts that do not conform to this Warranty. No warranty of any kind is extended to equipment that is sold for salvage.

LABOR COVERAGE

For thirty (30) days from date of delivery Tennant Company will, at its option, provide labor for repair, pay outside repair service, or pay the customer straight time in accordance with Tennant Company flat rate schedule for particular warranty repair. After thirty (30) days, Tennant Company's sole obligation shall be limited to the repair or replacement, at Tennant Company's option, of parts that do not conform to this Warranty.

DEMONSTRATOR MACHINES

Demonstrator machines purchased from Tennant Company shall carry one of the following limited warranties:

1. Demonstrator machines purchased **without** a demonstrator discount carries the same warranty as new machines;
2. Demonstrator machines purchased **with** a demonstrator discount carries the amount of warranty remaining on the unit from the original delivery date or the same warranty as a reconditioned machine, whichever is greater.

NOTE: Demonstrator machines will always carry a minimum of 30 days labor.

REPAIR PARTS

Repair parts supplied by Tennant Company are warranted against defects for the period stated below. Tennant Company's obligation is limited to the replacement of the warranted part, and Tennant Company shall not be obligated to provide labor (except certain engines also stated below) in installing such part.

ENGINES, SHORT BLOCKS, AND LONG BLOCKS

Manufacturer	Warranty Period	Manufacturer	Warranty Period
Continental	1 year or 1500 hours parts & labor	Perkins	1 year or 1500 hours parts & labor
Kohler	1 year or 1500 hours parts & labor (except Kohler Model K181S – 500 hours)	Kubota	1 year or 1500 hours parts & labor
Briggs & Stratton	90 days or 200 hours parts & labor	Wisconsin	1 year or 500 hours parts & labor
Onan	1 year or 1500 hours parts & labor	Ford	1 year or 1500 hours parts only

- Engine part replacements such as water pumps, carburetors, and alternators are warranted for thirty (30) days parts only, no labor.
- Labor is to include only the time it takes to repair an engine. It does not include removal and replacement nor does it include travel time.

MAJOR HYDRAULIC COMPONENTS (PUMPS, MOTORS, CYLINDERS, AND CONTROL VALVES)

Manufacturer	Warranty Period	Manufacturer	Warranty Period
Cessna	1 year parts only	Oilgear	1 year parts only
Char-Lynn	1 year parts only	Gresen	90 days parts only
Victor (Dukes)	1 year parts only	MTE	90 days parts only
Ross	1 year parts only	Barnes	90 days parts only
Vickers	1 year parts only		

- All seal kits and replacement parts are warranted for thirty (30) days parts only.

MAJOR ELECTRIC MOTORS

Manufacturer	Warranty Period	Manufacturer	Warranty Period
Baldor	1 year parts only	Ohio Electric	1 year parts only
General Electric	1 year parts only	HK Porter	1 year parts only

All other repair parts are warranted for thirty (30) days only.

SERVICE LABOR

Labor performed by a Tennant Company service representative shall be warranted for thirty (30) days from the date the repairs are completed. This policy does not cover work performed by any service company, other than Tennant Company, and is restricted to the specific repair operation or component for which a claim is made.

THIS WARRANTY IS EXPRESSLY IN LIEU OF ALL OTHER EXPRESSED OR IMPLIED WARRANTIES INCLUDING THE WARRANTIES OF MERCHANTABILITY AND FITNESS AND OF ALL OTHER OBLIGATIONS AND LIABILITIES ON THE PART OF TENNANT COMPANY, INCLUDING LIABILITIES FOR DIRECT, IMMEDIATE, SPECIAL, INDIRECT, OR CONSEQUENTIAL DAMAGES ARISING OUT OF THE FAILURE OF ANY MACHINE OR PART OF IT TO OPERATE PROPERLY, INCLUDING THE COST OR EXPENSE OF PROVIDING SUBSTITUTE EQUIPMENT OR SERVICE DURING PERIODS OF MALFUNCTION OR NON-USE.

This Warranty cannot be extended, changed, or modified by any representative of Tennant Company.

**TENNANT COMPANY, TENNANT COMPANY SUBSIDIARIES, AND
MAJOR PARTS AND SERVICE LOCATIONS DIRECTORY**

LOCATION

NORTH AMERICA

U.S.A.

CALIFORNIA

Los Angeles Parts and Service Center
2861 East La Palma
P. O. Box 66066
Anaheim, CA 92806
Phone: (714) 630-0800
FAX: (714) 630-6934

GEORGIA

Atlanta Parts and Service Center
5805 Peachtree Corners E. Rd.
Norcross, GA 30092
Phone: (404) 447-1500
FAX: (404) 449-0418

ILLINOIS

Chicago Parts and Service Center
630 Supreme Drive
P. O. Box 590
Bensenville, IL 60106
Phone: (708) 595-1770
FAX: (708) 595-5635

MICHIGAN

Detroit Parts and Service Center
5601 Enterprise Dr.
P. O. Box 927
Warren, MI 48090
Phone: (313) 573-6600
FAX: (313) 573-2619

MINNESOTA

Tennant Company, World Headquarters
Minneapolis Factory Customer Services
701 N. Lilac Dr.
Minneapolis, MN 55422
Phone: (800) 553-8033 or (612) 593-8850
FAX: (612) 540-1437
Mailing Address:
P. O. Box 1452
Minneapolis, MN 55440

PENNSYLVANIA

Philadelphia Parts and Service Center
855 Bethel Avenue
P. O. Box 220
Pennsauken, NJ 08110
Phone: (609) 665-2231
FAX: (609) 665-4894

TEXAS

Dallas/Ft. Worth Parts and Service Center
1610 111th Street
Grand Prairie, TX 75050
Phone: (214) 647-0801
FAX: (214) 641-4011

CANADA

ONTARIO

Tennant
1329 Cardiff Boulevard
Mississauga, Ontario
Canada L5S 1R2
Phone: (416) 670-8599
FAX: (416) 670-8547

SOUTH AMERICA

BRAZIL

Equipamentos Tennant Limitada
Rus Alvares Cabral Nr. 871
Diadema - SP - Brazil CEP 09900
Phone: (55) 11-456-2656
FAX: (55) 11-465-4160

ASIA

JAPAN

Tennant Japan
c/o Nippon Yusoki Co., Ltd.
1-1, 2-chome, Higashikotari
Nagaokakyo-shi, Kyoto, 617
JAPAN
Phone: 075-956-8613
Telex: 05429926 NYK HJ
FAX: 075-955-8993

AUSTRALIA

AUSTRALIA

Tennant Australia
10 Hope Street
Ermington, N.S.W. 2115
Australia
Phone: (61) 2-858-5811
Telex: AA27393
FAX: (61) 2-858-1995

EUROPE

NETHERLANDS

Tennant N.V.
Industrielaan 6
5400 AA
Uden, N.B., Netherlands
Phone: (31) 4132 63955
Telex: 844 74768
FAX: (31) 4132 50008

(continued on following page)

EUROPE CONTINUED

UNITED KINGDOM

Tennant Maintenance Systems, Ltd.
Central Avenue
East Molesey
Surrey KT8 0QZ
United Kingdom
Phone: (44) 1-941-5585
FAX: (44) 1-941-4678

WEST GERMANY

Tennant N.V.
Walter-Freitag-Strasse 39
5630 Remscheid 11 (Lüttringhausen)
B.R.D.
Phone: (49) 2191-59140
Telex: (841) 08 513 478 TENV D.
FAX: (49) 2191-561436

This is a listing of *major* Tennant Company parts and service centers. Parts and service are also available at many other Tennant Company centers or distributors located around the world. To determine your nearest Tennant Company representative, phone or write the Tennant Company World Headquarters.

TENNANT COMPANY SERVICE LITERATURE AVAILABLE...

A variety of information is available to you in forms to suit your needs. The following is a list of those publications that relate to the Model 255 Series II family of machines:

Machine Model	Publication	Form	TENNANT® Part No.
285	Operation, Maintenance, and Parts Manual	Printed	MM191
285	Operation, Maintenance, and Parts Manual	Microfiche	85191
285	Operator Handbook	Printed	MM161
285	Ford VSG-411/413 Engine Service Manual	Printed	38978

Keep your manuals in a safe, convenient location for your future reference in order to operate, maintain, and order repair parts for your machine. Everyone who operates, maintains, or purchases parts for the machine should have easy access to a copy of the manual.

To get pricing information or to order copies of these publications, contact your nearest Tennant Company parts warehouse, distributor, or sales representative.